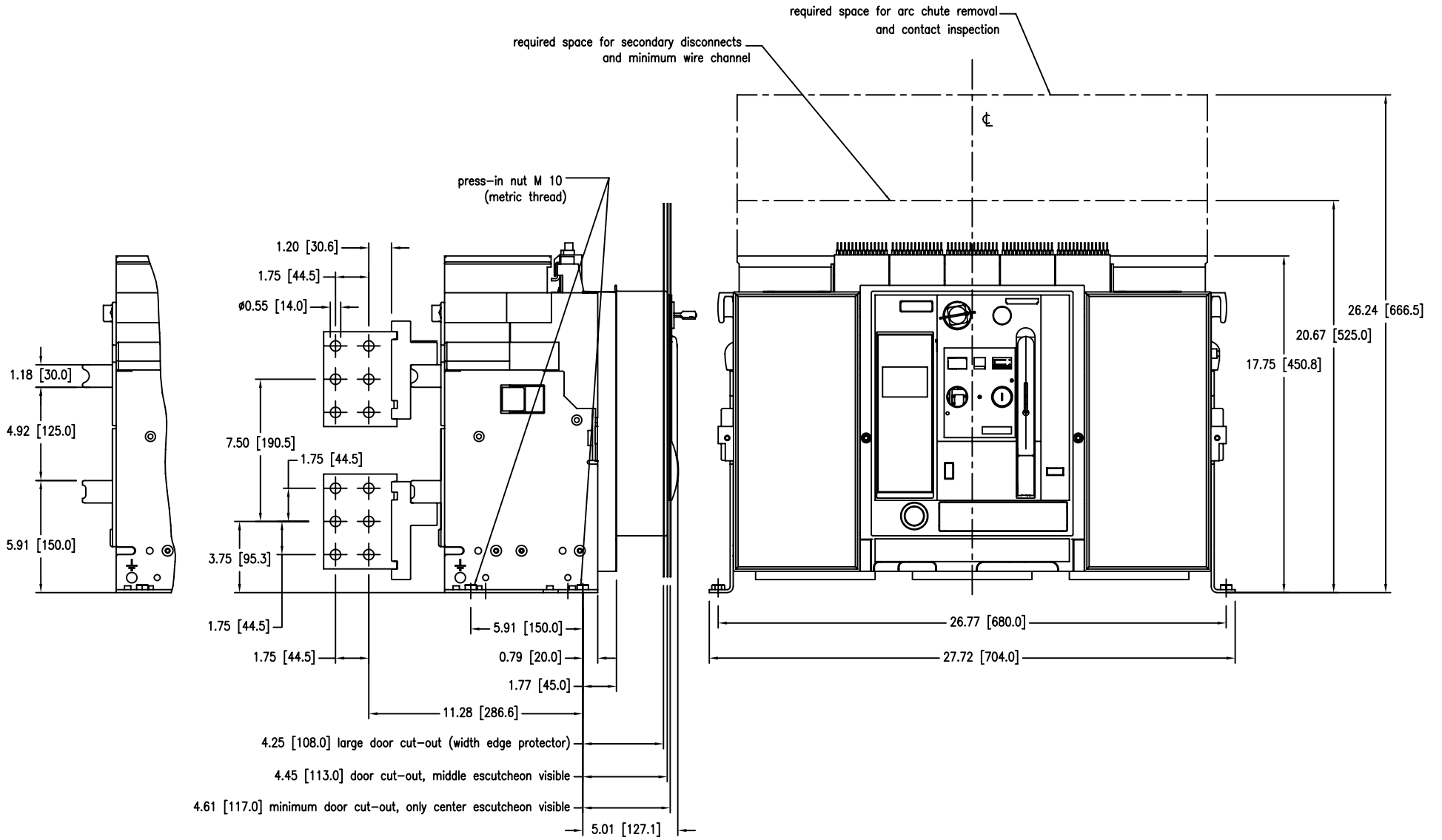
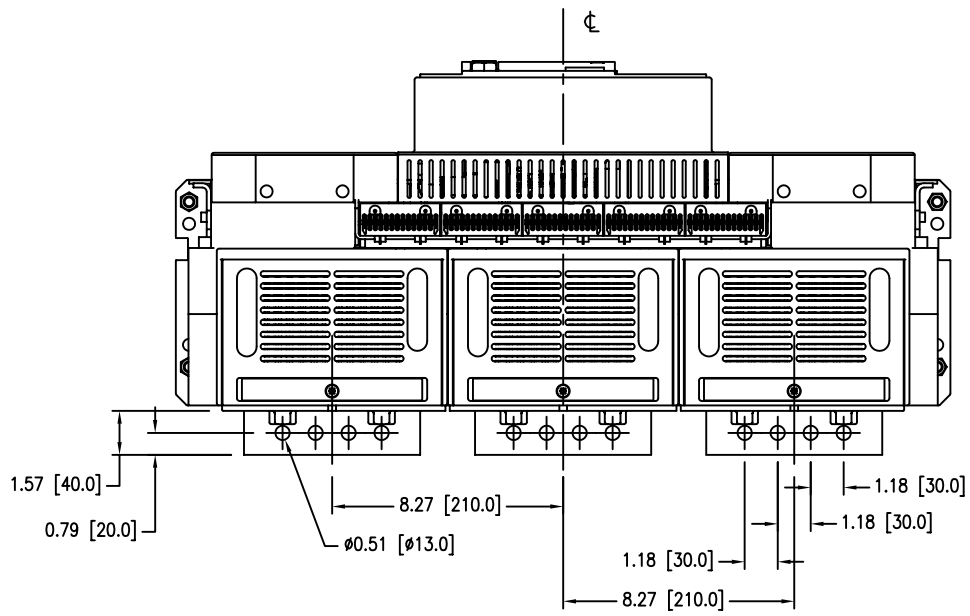
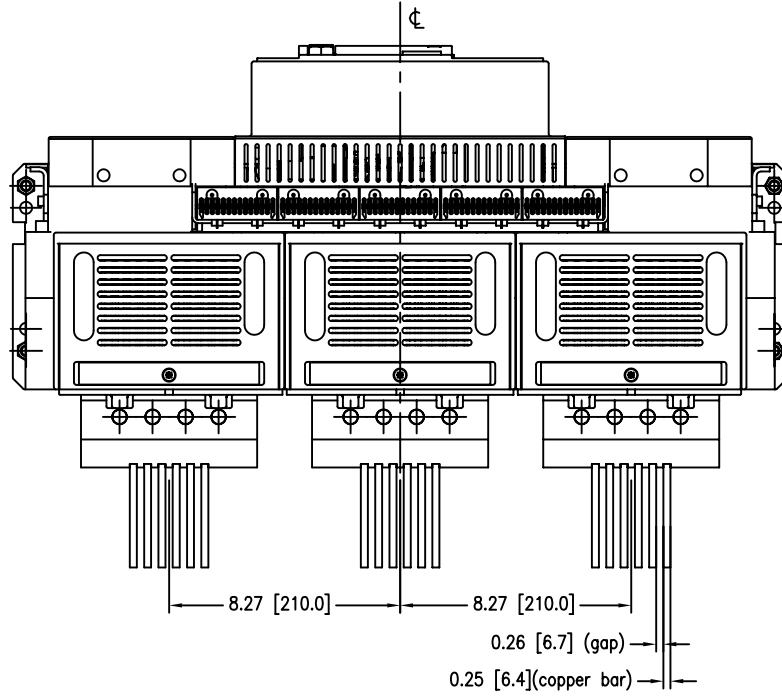
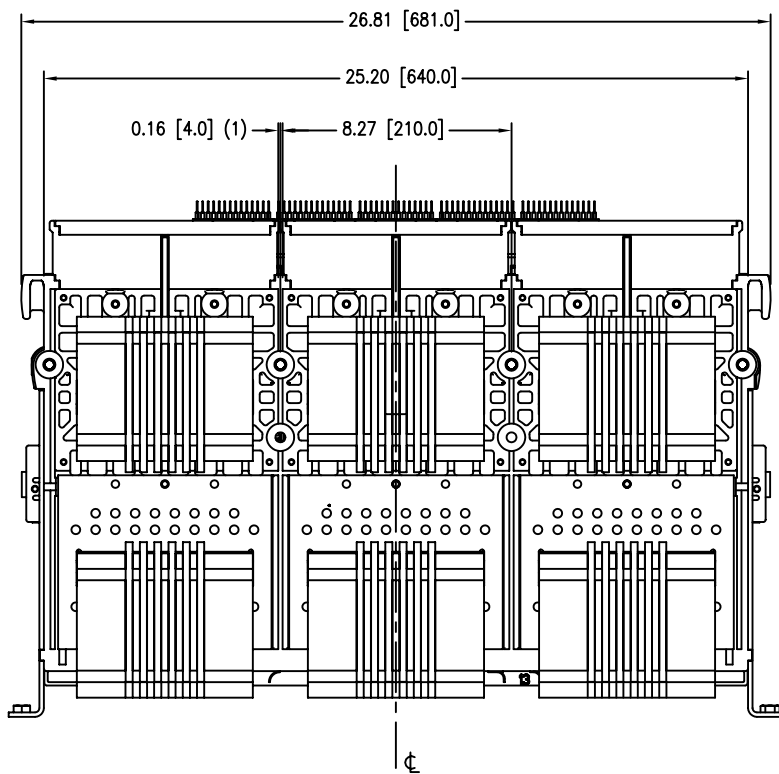
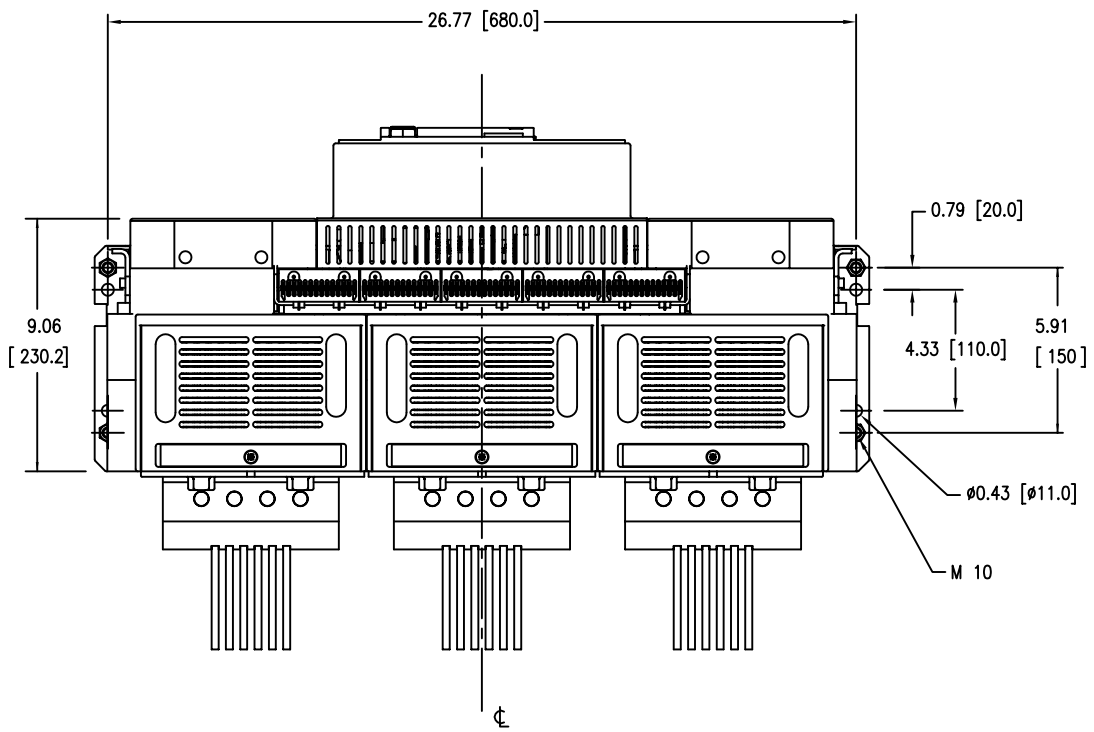


WL Frame size III / UL 489, fixed mounted breaker



Frame size III, fixed mounted breaker





(1) = Slots 0.2 [5] for insulation barriers

Frame size III, fixed mounted breaker Front Connectors

