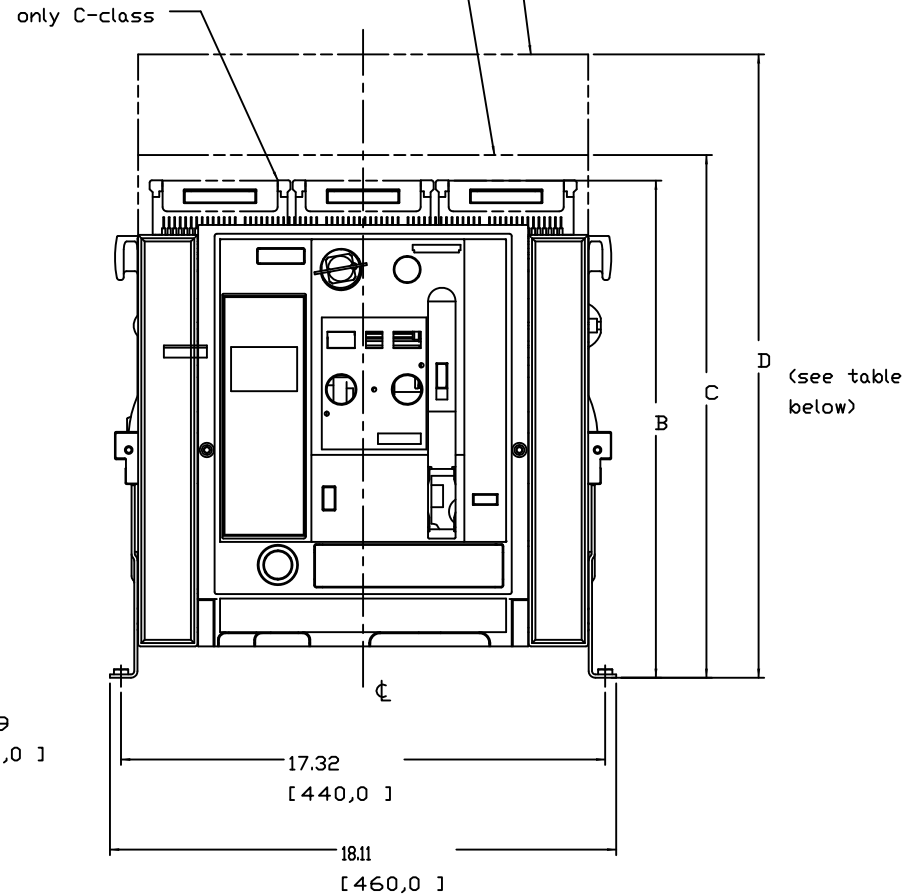
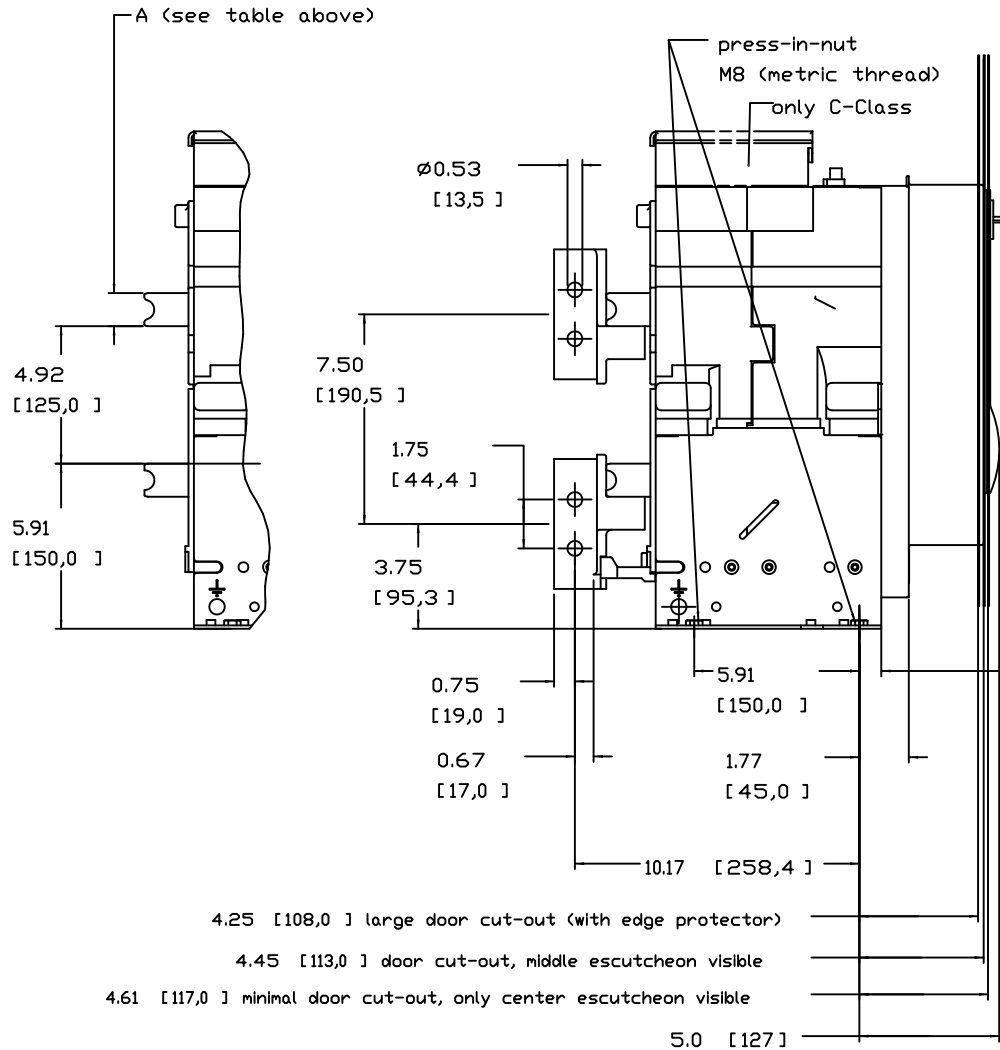


interrupting class	rated current	dimension A
S/L	max. 1600 A	0.39 [10]
S/L	max. 2000 A	0.59 [15]
S/L	max. 3000 A	1.18 [30]
C	1600- 3000 A	1.18 [30]

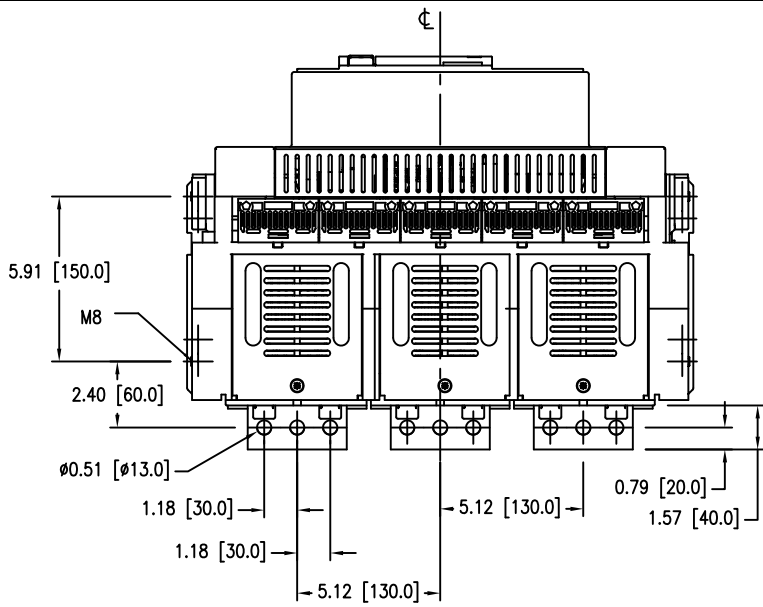
Frame size II, fixed mounted breaker

required space for arc chute removal and contact inspection

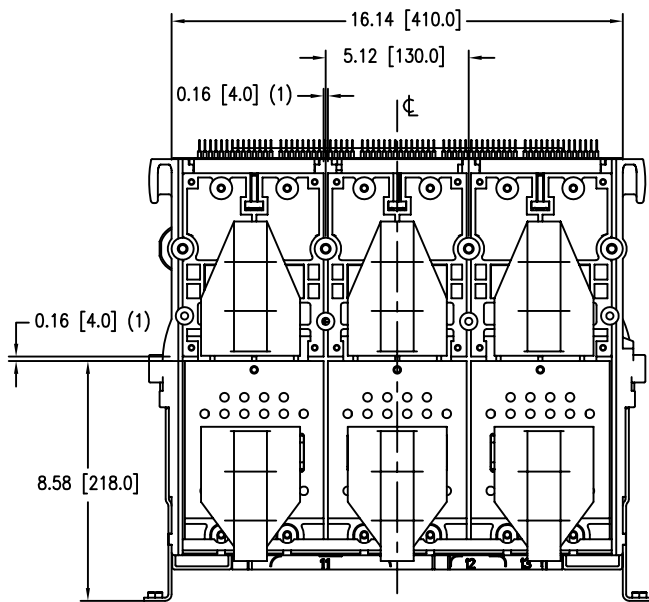
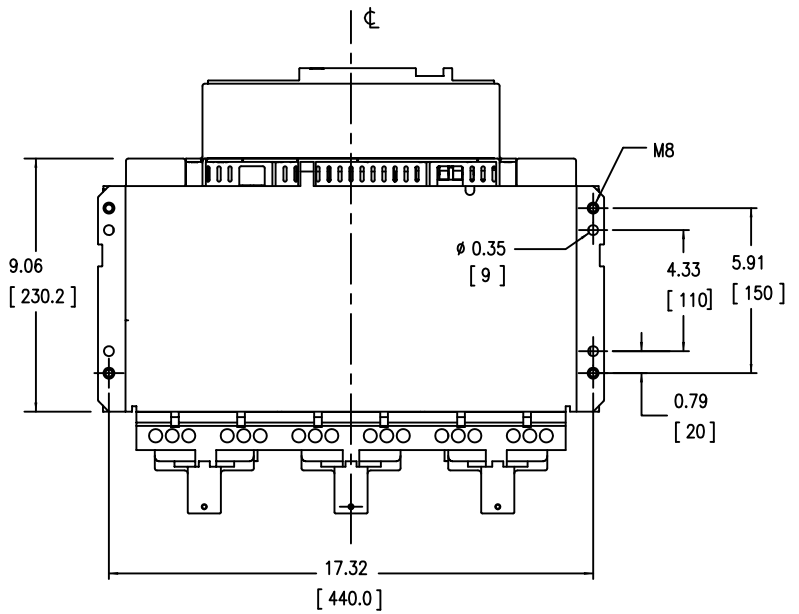
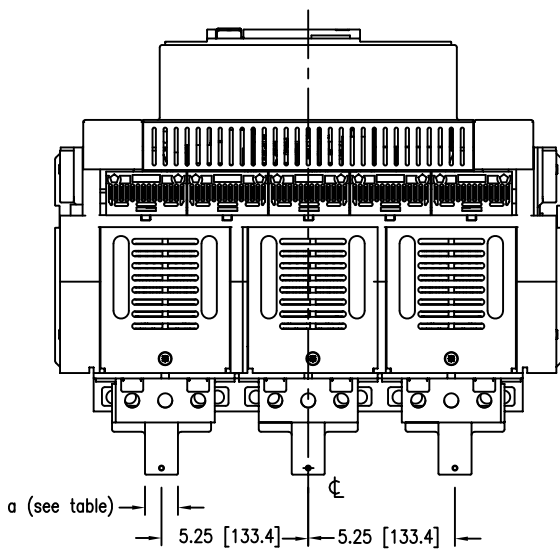
required space for secondary disconnects and minimal wire channel



interrupting class	Dimension B	Dimension C	Dimension D
S/L	15.85 [402,5]	18.70 [475,0]	22.30 [566,5]
C	17.80 [452,10]	18.70 [475,0]	25.20 [640,0]

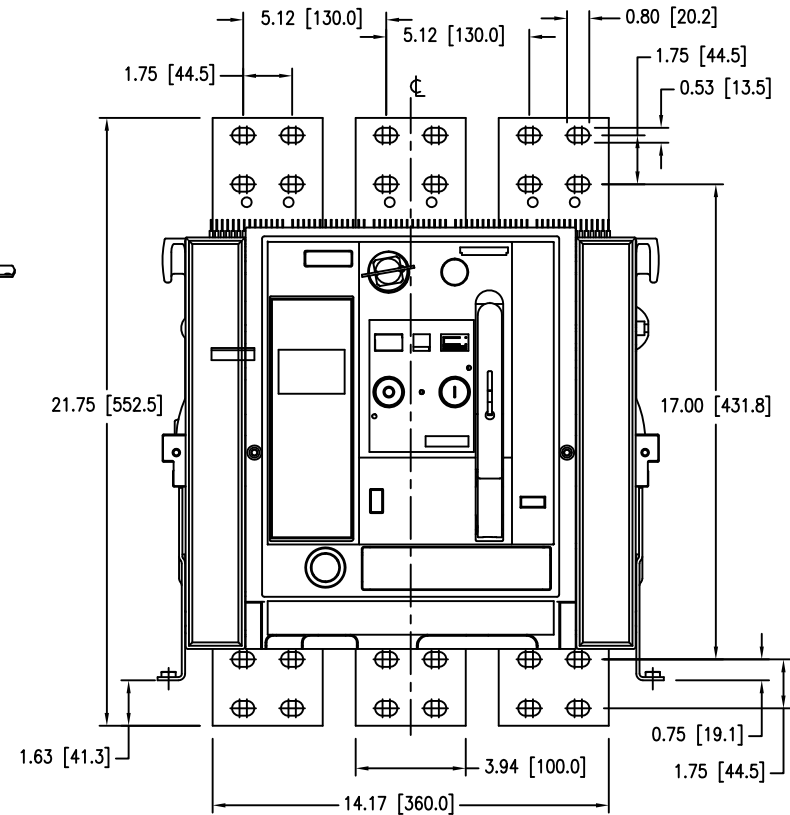
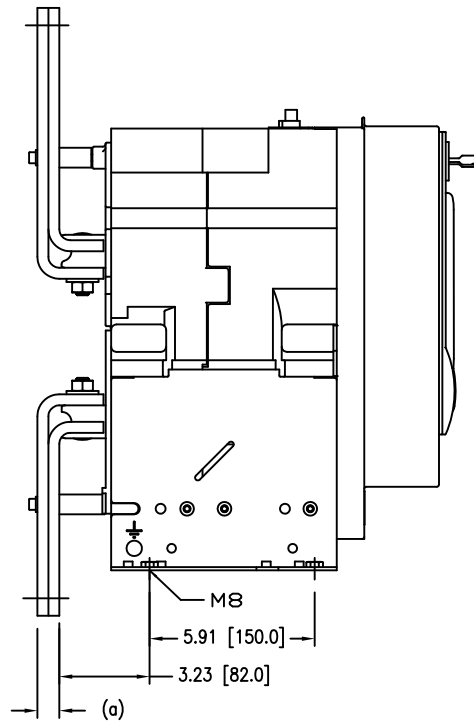
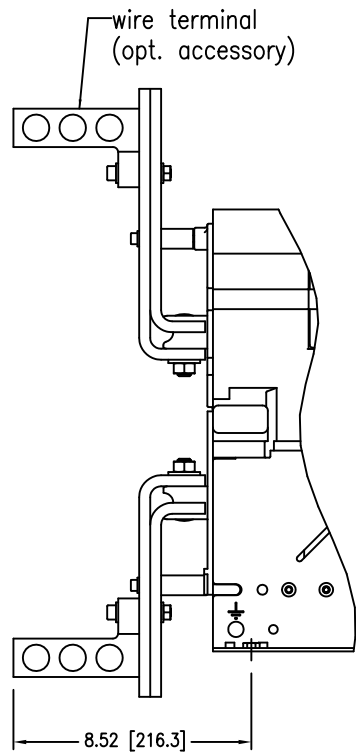


rated current	dimension a
max. 1600 A	0.39 [10]
max. 2000 A	0.59 [15]
max. 3000 A	1.18 [30]



(1) = Slots 0.2 [5] for insulation barriers

Frame size II, Front Connectors



rated current	dimension a
max. 1600 A	0.39 [10]
max. 2000 A	0.79 [20]
max. 2500 A	0.79 [20]

Frame size II, front connections, 3000A

