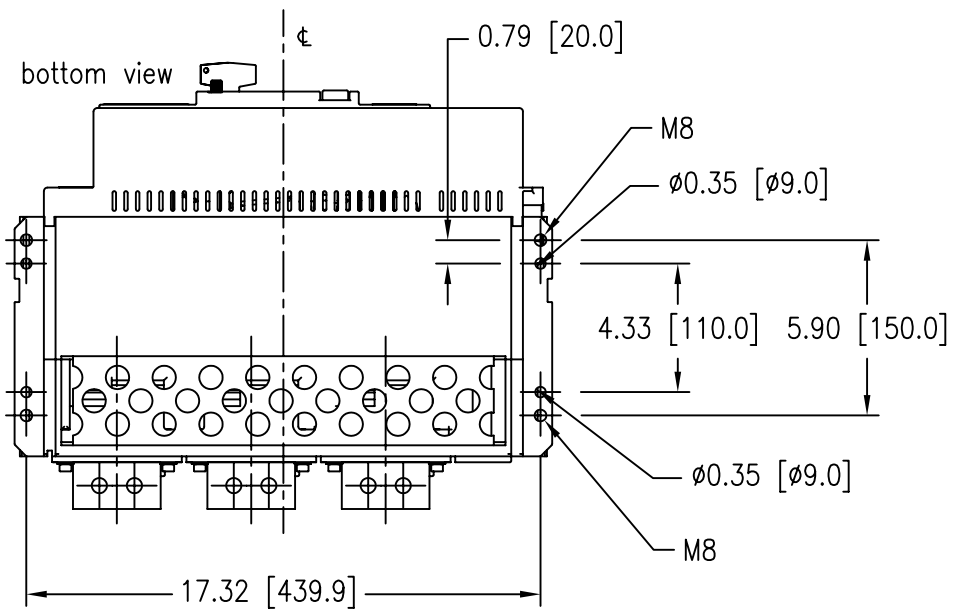
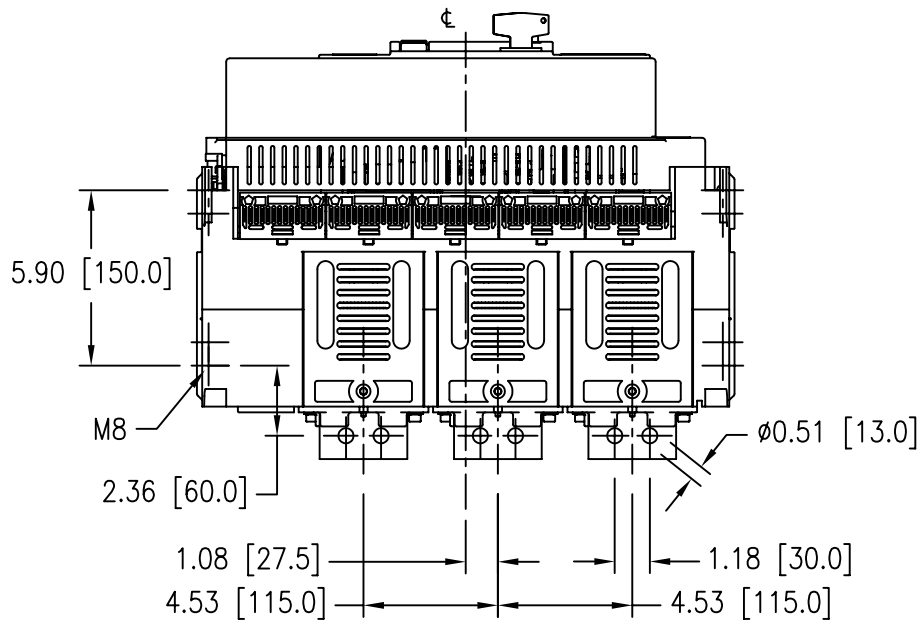
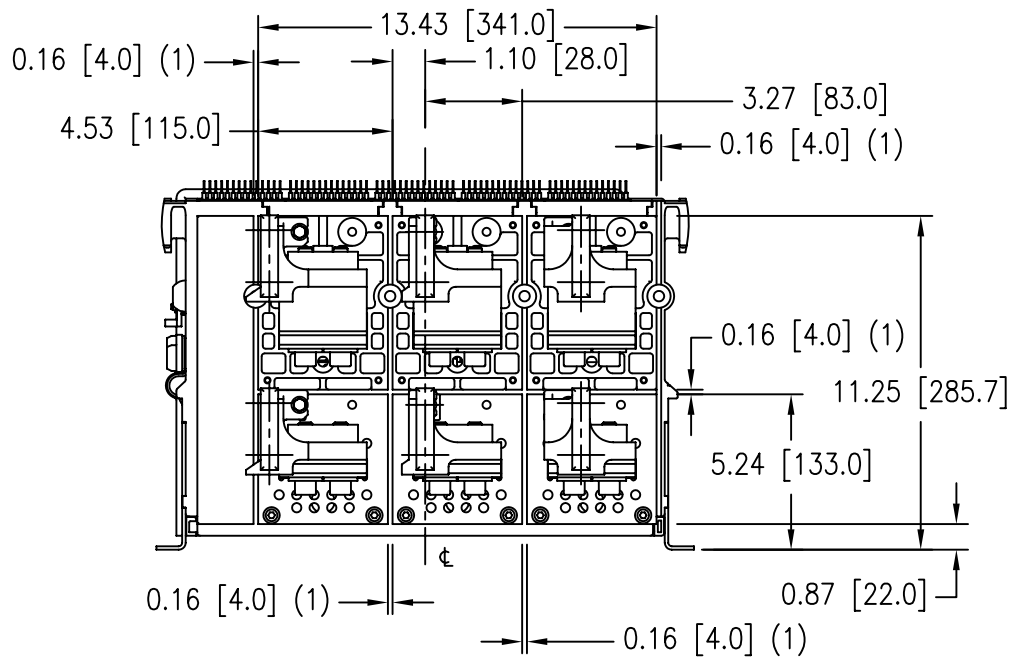
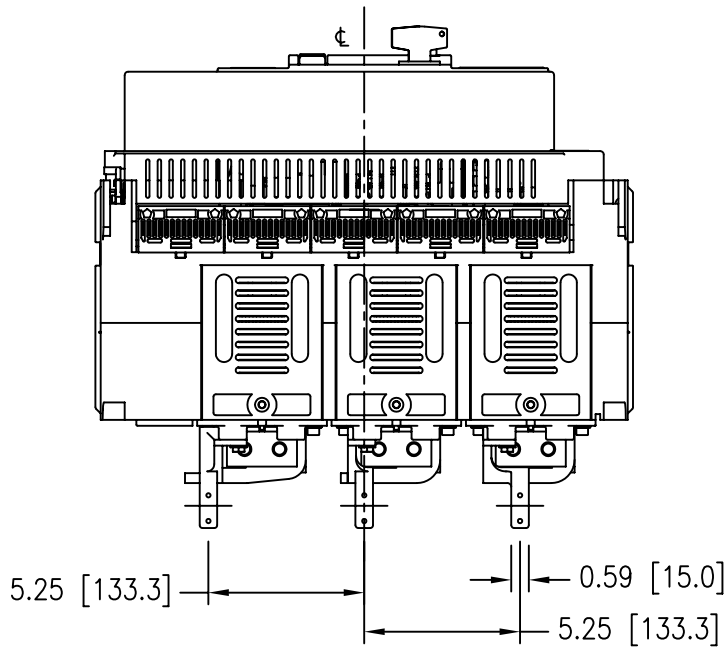


Frame\_Size\_1\_fixed\_1\_m.dwg



Frame\_Size\_1\_fixed\_2\_m.dwg



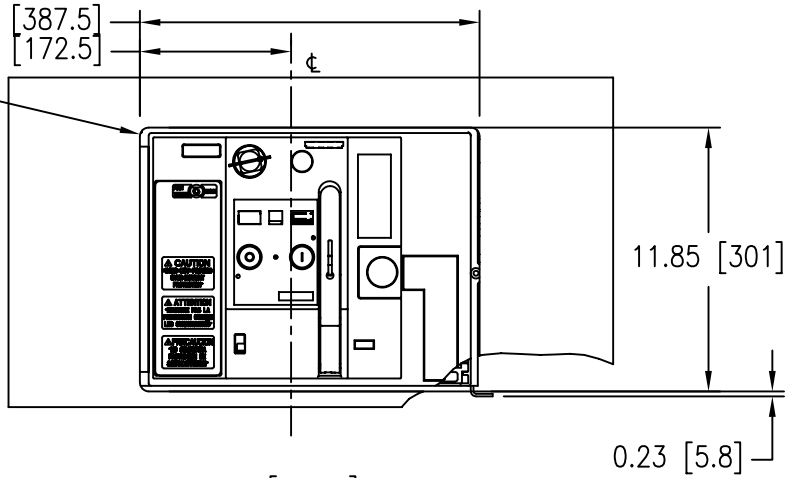
(1) = slots for insulation barriers

Frame\_Size\_1\_fixed\_3\_m.dwg

R0.39 [R10.0]  
(max. radii,  
4 plc's)

15.26 [387.5]  
6.79 [172.5]

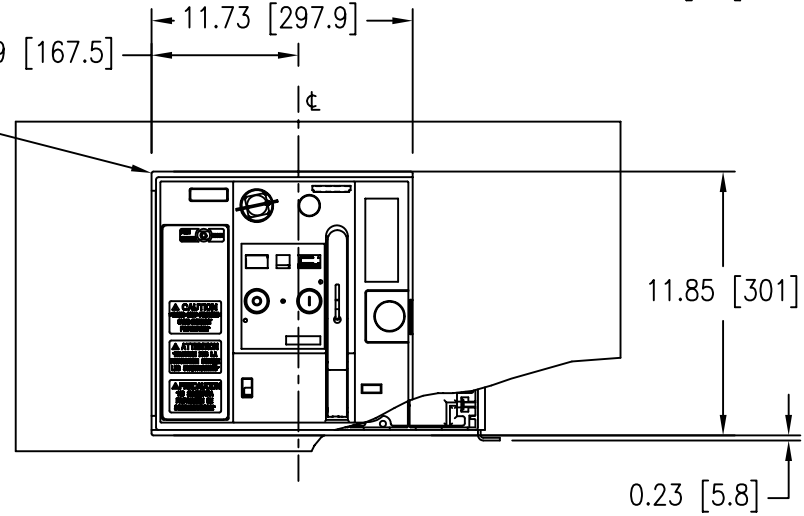
door cut-out



R0.08 [R2.0]  
(max. radii,  
4 plc's)

11.73 [297.9]  
6.59 [167.5]

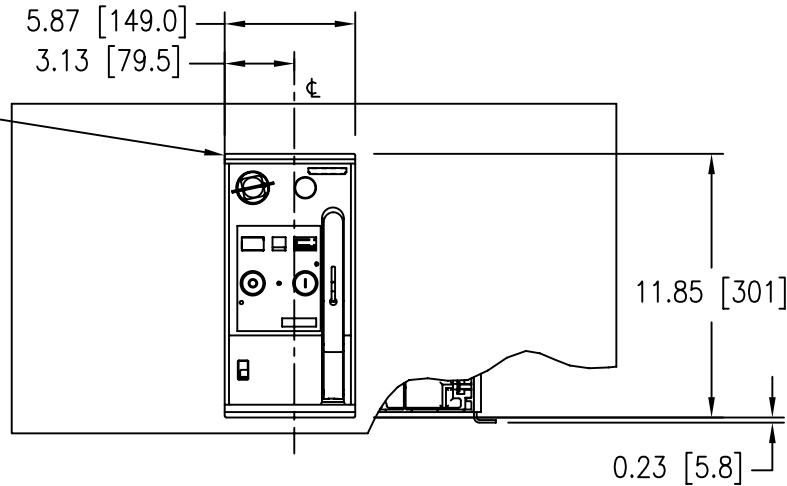
door cut-out  
(middle  
escutcheon  
visible)



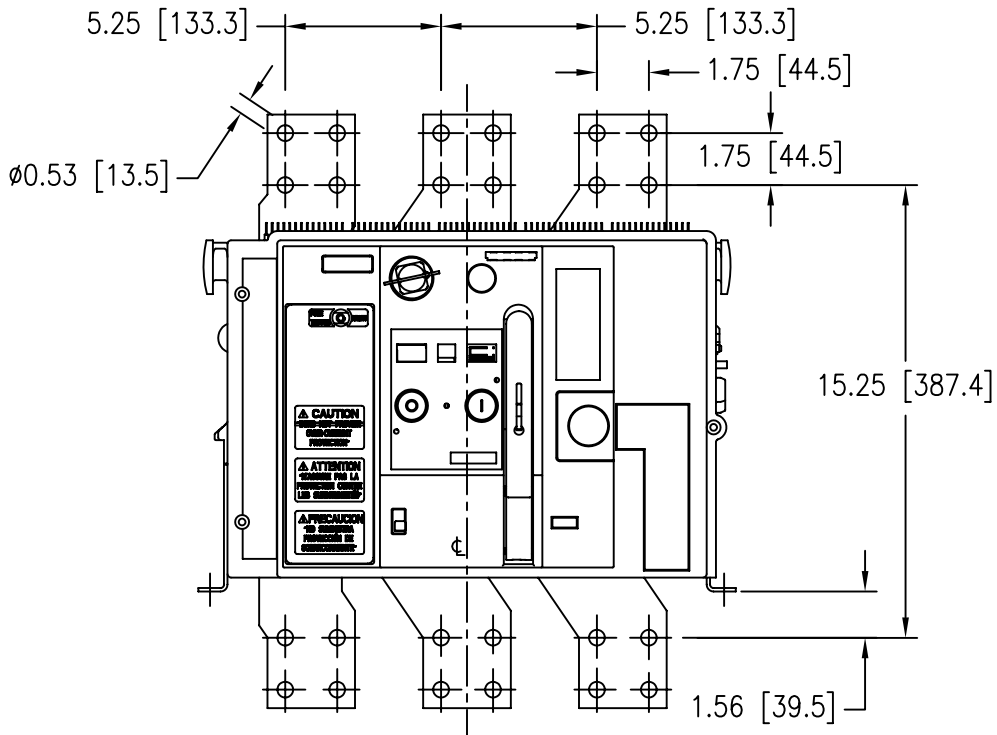
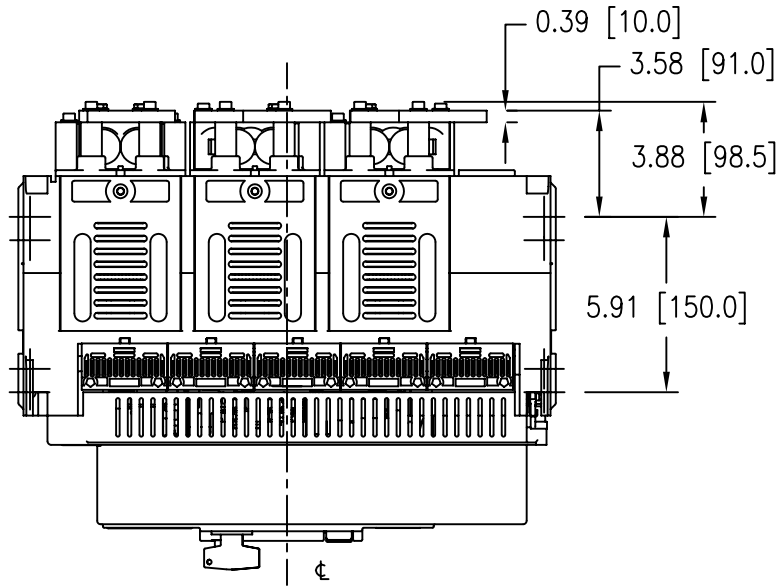
R0.08 [R2.0]  
(max. radii,  
4 plc's)

5.87 [149.0]  
3.13 [79.5]

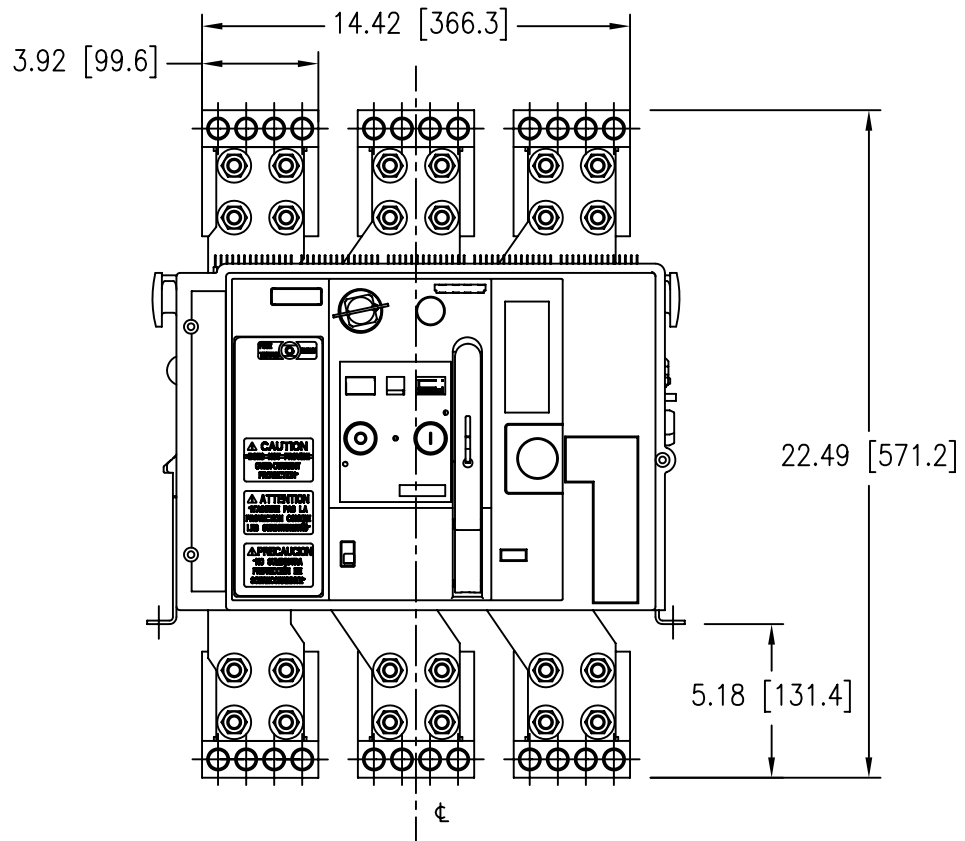
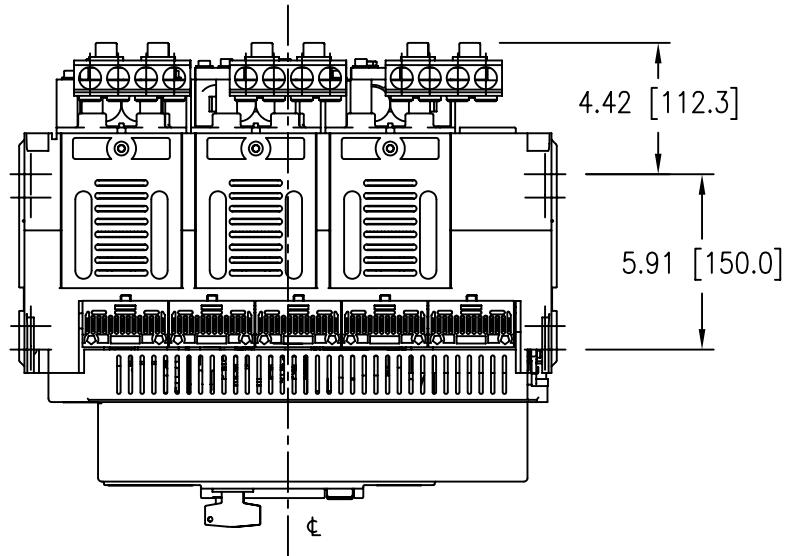
door cut-out  
(only center  
escutcheon  
visible)



Frame\_Size\_1\_fixed\_4\_m.dwg



Frame\_Size\_1\_fixed\_5\_m.dwg



Frame\_Size\_1\_fixed\_6\_m.dwg