

New product announcement

200A, 1000V DC Enclosed Solar Disconnect Switches



We are pleased to announce that 200A, 1000V DC enclosed solar switches are now released for sale. All are UL listed as UL98B enclosed switches and comply with article 690 of the NEC.

They are available in both fusible and non-fusible versions and can be used on a single pole, 1000V DC circuit in both negative and positive ground systems. Both Indoor Type 1 and Outdoor type 3R enclosures are offered.

Features

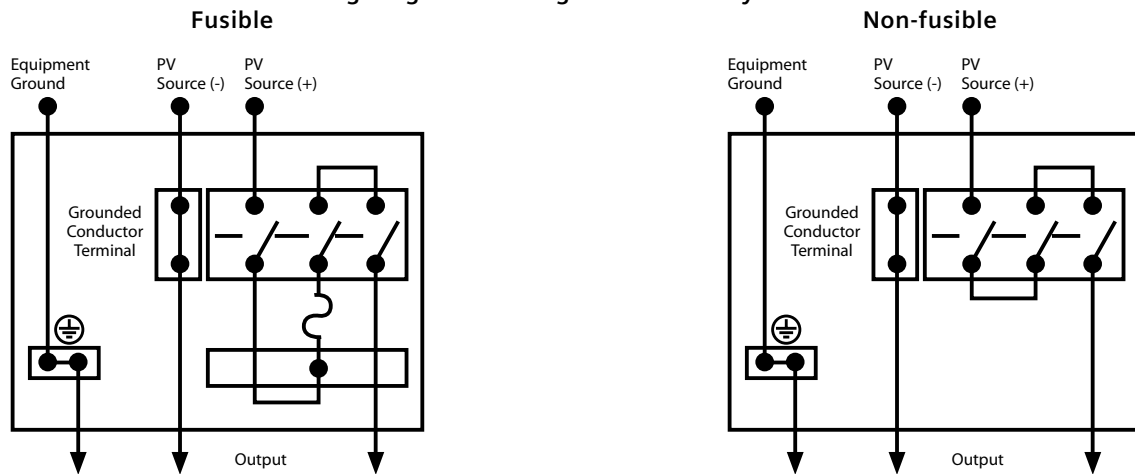
- Factory installed lug landing for grounded power conductor termination
- Factory installed equipment ground bar
- Door labeling as required by Article 690 of the NEC
- Unique enclosure design features a rolled out front flange that prevents cuts and scrapes to conductor insulation and to the installer's hands
- Metal handle with large plastic grip features a positive stop in both the ON and OFF positions
- Two and 3 point mounting provisions are standard
- Large top, bottom and side wire gutters facilitate wiring
- Line and load lugs accept #6-300MCM copper conductors to allow for larger cables when required to minimize voltage drop
- Short circuit rating of 10,000AIC
 - Fusible switches are to be used with 200A max. Littelfuse Type SPFJ PV fuses
 - Non-fusible switches are to be protected by 200A max. 1000V DC fuses rated at 10,000 AIC

Ordering Information

Indoor Type 1 (MG3 Code N40)		Outdoor Type 3R (MG3 Code N41)		Rated Isc when circuit is sized per Article 690 of the NEC ^①
Catalog Number	List Price \$ (July 2012)	Catalog Number	List Price \$ (July 2012)	
200A 1 Pole Fusible 1000V DC (accepts one 200A max. Littelfuse Type SPFJ PV fuse)				
HF1104NPV	3490.00	HF1104NRPV	4445.00	128.0A
200A 1 Pole Non-Fusible 1000V DC				
HNF1104NPV	2385.00	HNF1104NRPV	2925.00	160.0A

Note: Enclosure is 29.9"H, 14.6"W & 6.36"D less door and operating handle.

Wiring Diagrams for Negative Ground Systems*



*Switches can also be used on positive ground systems

Accessories

Catalog Number	Description
HA161234	Aux. contact kit- 1 NO, 1 NC
HA261234	Aux. contact kit – 2NO, 2 NC
HA361234	Aux. contact kit- 1NO, 1NC with gold plated contacts
HSK64SSW	Internal shield kit
ECHS150	1 1/2" Raintight hub for Type 3R switches
ECHS200	2" Raintight hub for Type 3R switches
ECHS250	2 1/2" Raintight hub for Type 3R switches

Wire Ranges

Description	Wire Range
Line, load and grounded power termination lugs	(1) #6-300 Kcmil copper only
Equipment ground	#14-4 (one in, one out copper only)

① NEC is a registered trademark the National Fire Protection Association

Siemens Industry, Inc.
5400 Triangle Parkway
Norcross, GA 30092

1-800-241-4453
info.us@siemens.com

www.usa.siemens.com/switches

Subject to change without prior notice
Order No.: SSFL-UL98B-0812
Printed in USA
© 2012 Siemens Industry, Inc.

The information provided in this brochure contains merely general descriptions or characteristics of performance which in case of actual use do not always apply as described or which may change as a result of further development of the products. An obligation to provide the respective characteristics shall only exist if expressly agreed in the terms of contract.

All product designations may be trademarks or product names of Siemens AG or supplier companies whose use by third parties for their own purposes could violate the rights of the owners.