





Cradle Mounted Current Sensors Guide Frame Accessory



Cat. No.:

WLG100NMCT23, WLG150NMCT23, WLG200NMCT23,
WLG250NMCT23, WLG300NMCT23, WLG400NMCT23,
WLG500NMCT23, WLG600NMCT23, WLG800NMCT23,
WLG1000NMCT23, WLG1200NMCT23, WLG1500NMCT23,
WLG1600NMCT23, WLG2000NMCT23, WLG2500NMCT23,
WLG3000NMCT23, WLG3200NMCT23, WLG4000NMCT23,
WLG5000NMCT23, WLGMDGFCT2, WLGMDGFCT3,
WLGNMDGFCT23

For Use With:

Circuit Breaker Adapters "WLG _ 3 _ _"

	 DANGER
	<p>Hazardous voltage!</p> <p>Will cause death, serious injury.</p> <p>Turn off and lock out all power supplying this device before working on this device.</p> <p>Replace all covers before power supplying this device is turned on.</p>

	 WARNING
	<p>Only qualified personnel should work on this equipment, after becoming thoroughly familiar with all warnings, safety notices, and maintenance procedures contained herein and on the devices. See the Operator's Manual for the definition of qualified personnel.</p> <p>The successful and safe operation of this equipment is dependent on proper handling, installation, operation, and maintenance.</p> <p>Only s authorized repair or replacement parts shall be used in this equipment.</p> <p>All installation instructions must be strictly followed.</p>




NOTICE

These instructions do not purport to cover all details or variations in equipment, nor to provide for every possible contingency to be met in connection with installation, operation or maintenance.

Should further information be desired or should particular problems arise which are not covered sufficiently for the Purchaser's purposes, the matter should be referred to the local Siemens Sales Office.

The contents of this instruction manual shall not become part of or modify any prior or existing agreement, commitment or relationship. The sales contract contains the entire obligations of Siemens. The warranty contained in the contract between the parties is the sole warranty of Siemens. Any statements contained herein do not create new warranties or modify the existing warranty.

Designations in this documentation can be trade-marks. Use by third parties for their own purposes violates the owner's rights.

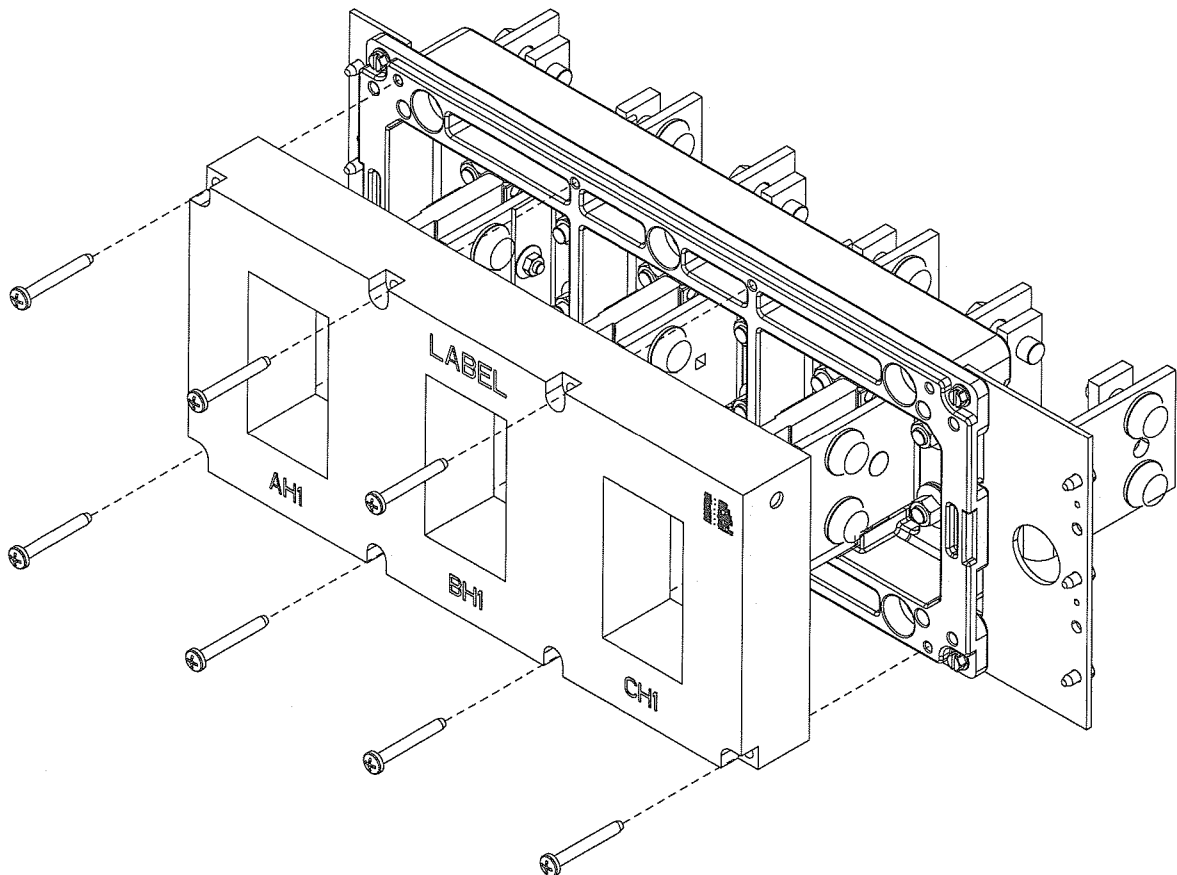
	⚠ DANGER
	Hazardous voltage!
	Will cause death, serious personal injury, or equipment / property damage.
Disconnect power before removing or installing accessories in this equipment.	

INSTALLING THE CRADLE MOUNTED SENSORS

Cradle mounted sensors are provided in a single package design to mount inside of the cradle.

The sensor should be slid over the **upper primary studs** as shown below in Figure 1. The “H1” side of the sensor pack will face away from the cradle rear wall, and the sensor leads will exit the upper right hand corner of the cradle (when looking in from the front).

Secure the sensor package using the provided screws. There are seven screws (three on the top and four below) used to attach the sensor. Do not overtighten the screws. Overtightening will result in stripping the plastic buss support.



SIEMENS

Siemens Energy
& Automation, Inc.

3333 Old Milton Parkway
Alpharetta, GA 30005

1-800-241-4453
seainfo@sea.siemens.com

www.sea.siemens.com/power