



Cradle Mounted Key Interlock Guide Frame Accessory

Cat. No.:



WLDLKRK, WLDLSUP, WLDLDKRK, WLDLDSUP, WLDLPR,
WLDLDPK



For Use With:

Circuit Breaker Adapters "WLG _ 3 _ _"

Installation Instructions

Instruction No.: 11-C-9019-01

	 DANGER
	<p>Hazardous voltage!</p> <p>Will cause death, serious injury.</p> <p>Turn off and lock out all power supplying this device before working on this device.</p> <p>Replace all covers before power supplying this device is turned on.</p>

	 WARNING
	<p>Only qualified personnel should work on this equipment, after becoming thoroughly familiar with all warnings, safety notices, and maintenance procedures contained herein and on the devices. See the Operator's Manual for the definition of qualified personnel.</p> <p>The successful and safe operation of this equipment is dependent on proper handling, installation, operation, and maintenance.</p> <p>Only s authorized repair or replacement parts shall be used in this equipment.</p> <p>All installation instructions must be strictly followed.</p>




NOTICE

These instructions do not purport to cover all details or variations in equipment, nor to provide for every possible contingency to be met in connection with installation, operation or maintenance.

Should further information be desired or should particular problems arise which are not covered sufficiently for the Purchaser's purposes, the matter should be referred to the local Siemens Sales Office.

The contents of this instruction manual shall not become part of or modify any prior or existing agreement, commitment or relationship. The sales contract contains the entire obligations of Siemens. The warranty contained in the contract between the parties is the sole warranty of Siemens. Any statements contained herein do not create new warranties or modify the existing warranty.

Designations in this documentation can be trade-marks. Use by third parties for their own purposes violates the owner's rights.

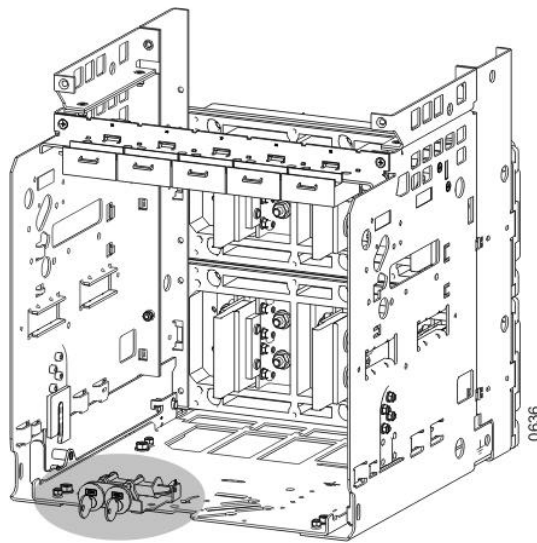
	⚠ DANGER
	Hazardous voltage!
	Will cause death, serious personal injury, or equipment / property damage.

Disconnect power before removing or installing accessories in this equipment.

CRADLE MOUNTED KEY LOCKING DEVICE

This special function for draw-out circuit breakers prevents closing of any circuit breaker within this circuit breaker compartment unless the key(s) are installed and engaged.

To activate the lock, the circuit breaker must be open. If the circuit breaker is closed, the locking device is blocked. The block is only effective if the key is withdrawn. The key can only be removed when the circuit breaker is in the "OPEN" position.





DANGER

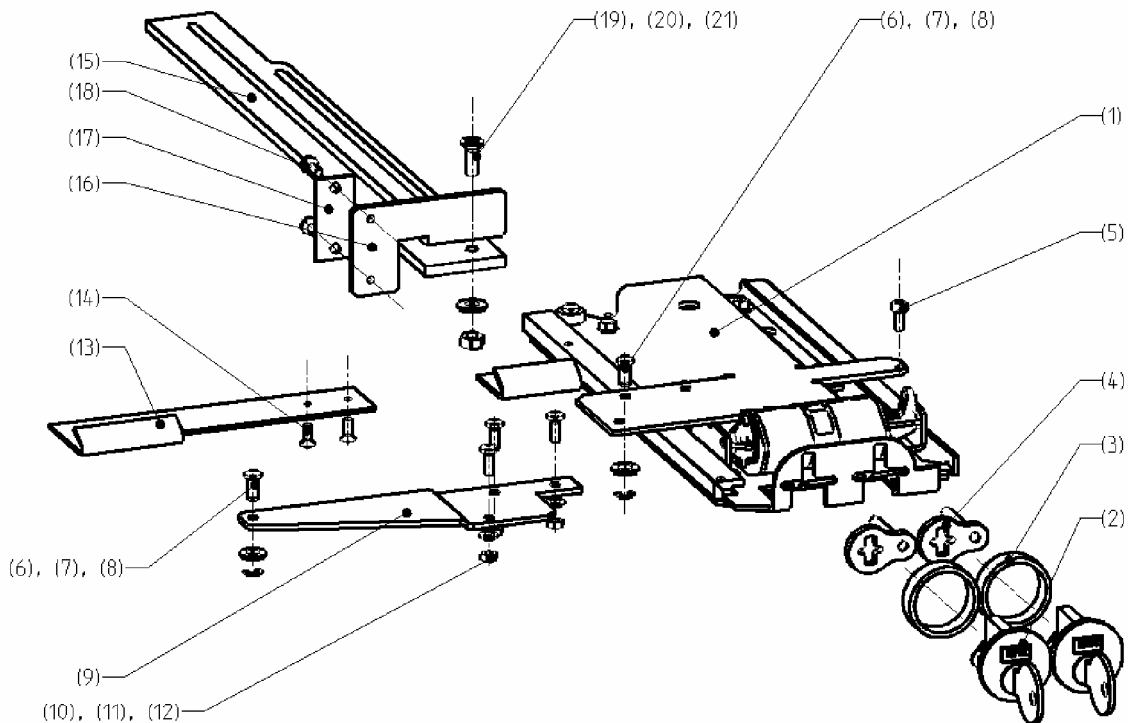
Hazardous voltage!

Will cause death, serious personal injury, or equipment / property damage.



Disconnect power before removing or installing accessories in this equipment.

KEY INTERLOCK INSTALLATION KIT CONTENTS

The following parts have are required to complete this installation.

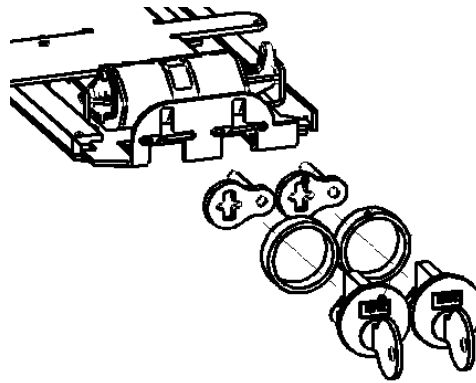


- | | | |
|------------------------------|---|-------------------------------------|
| 1. Preassembled key intelock | 9. Extension (FS III Only) | 17. Spacer (FS III Only) |
| 2. Key Lock | 10. Pan head M4 screw (FS III Only) | 18. Pan head screw M4 |
| 3. Spacer | 11. Lock washer (FS III Only) | 19. Countersunk Head Screw M6x16 |
| 4. Lever | 12. Nut M4 (FS III Only) | 20. Belleville Washer |
| 5. Socket head M4 screw | 13. Ramp Extension (FS III Only) | 21. Nut M6 |
| 6. Bolt | 14. Countersunk head screw M4 (FSI III) | 22. Countersunk screw TAPTITE M4x10 |
| 7. 5mm Washer | 15. Plastic Slider | 23. Pan head screw TAPTITE M4x10 |
| 8. Bolt Clip | 16. Small Attachment Angle | |

	 DANGER
	Hazardous voltage!
	Will cause death, serious personal injury, or equipment / property damage.
Disconnect power before removing or installing accessories in this equipment.	

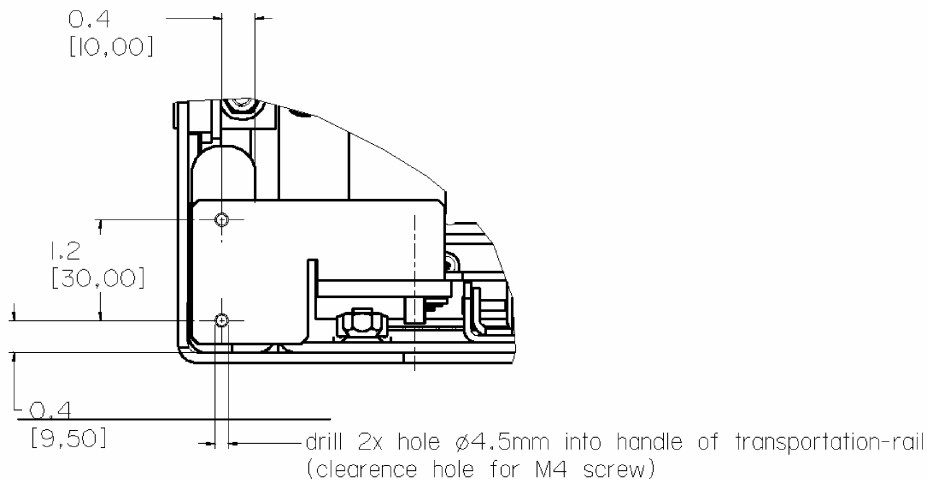
ATTACHING THE KEY LOCKS TO KEY LOCK PROVISION

The method in which the locking unit is installed is the same whether the unit consists of one lock or two locks. Secure the key interlock(s) to the key lock provision, passing the key lock through the collar and lever, and securing with the provided #6-32 screws.



MODIFICATION TO THE LEFT HAND SLIDE RAIL & CRADLE FLOOR

The key interlock provision is secured to both the left hand slide rail and the cradle floor.



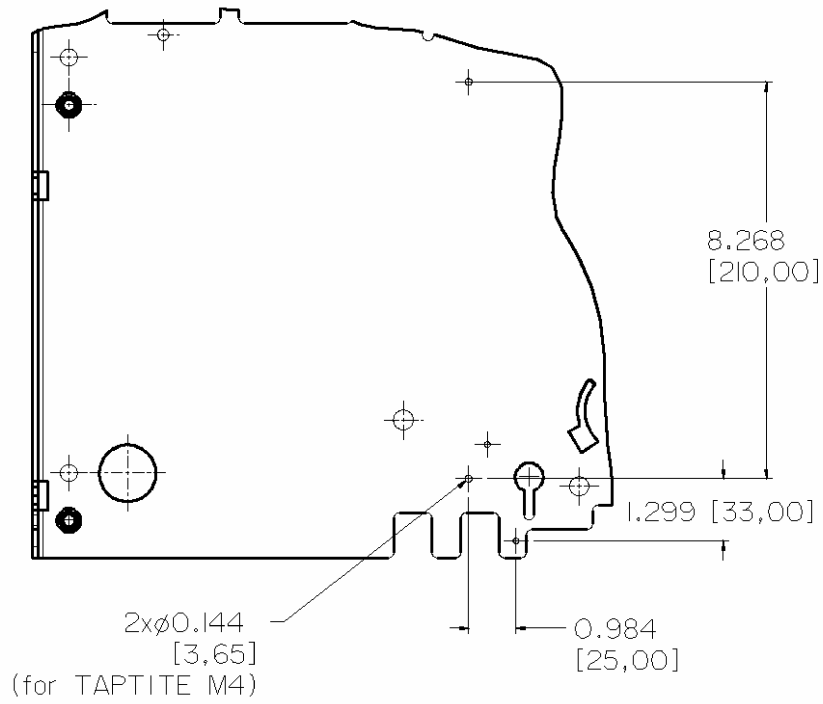



DANGER

Hazardous voltage!

Will cause death, serious personal injury, or equipment / property damage.

Disconnect power before removing or installing accessories in this equipment.

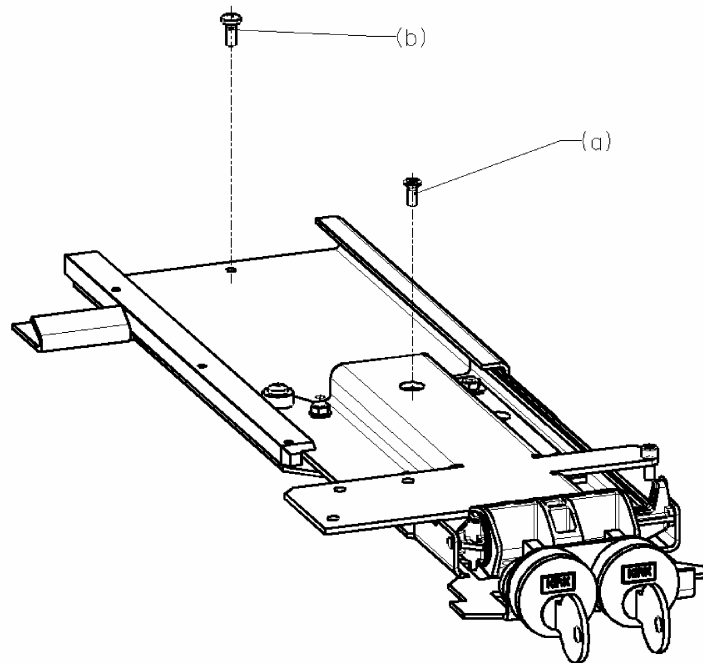


	⚠ DANGER
	Hazardous voltage!
	Will cause death, serious personal injury, or equipment / property damage.
Disconnect power before removing or installing accessories in this equipment.	

INSTALLING THE INTERLOCK BASE

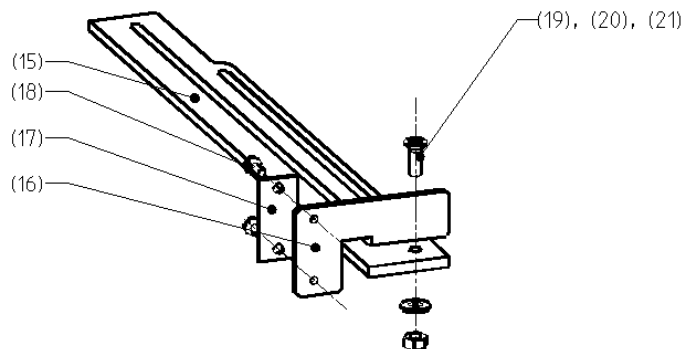
The interlock base should next be attached to the cradle floor.

Draw the interlock out until it is fully extended. Position the interlock above the holes drilled in the cradle floor in the previous step, and attach with provided screws (with part "a" being item 22 M4x10 TAPTITE, and part "b" being the item 23 M4x10 pan head TAPTITE).



ADJUSTING THE KEY INTERLOCK SLIDER

The slider assembly must be attached to the left hand slide rail. The spacer (item 17) should only be used with Frame Size III cradles.





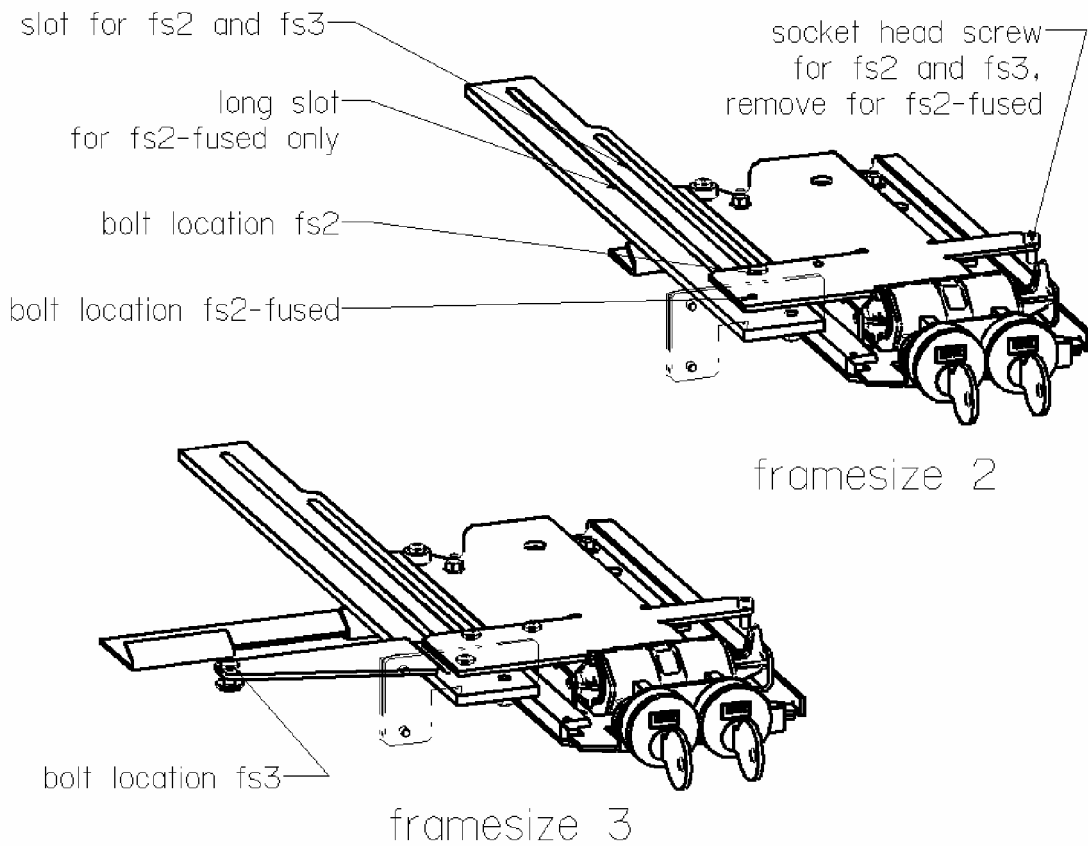
DANGER



Hazardous voltage!

Will cause death, serious personal injury, or equipment / property damage.

Disconnect power before removing or installing accessories in this equipment.

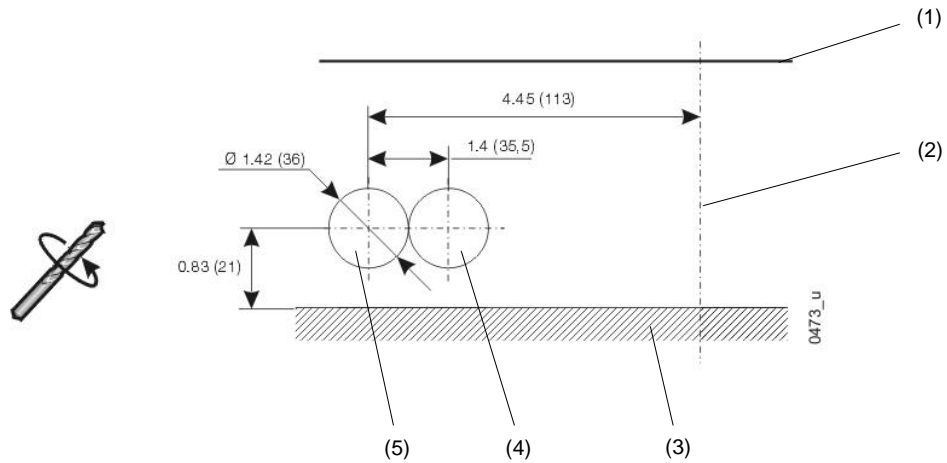
Adjust the slider for the correct cradle configuration per the following figure. For Frame Size III cradles, the extension bar must be mounted as shown.



	 DANGER
	Hazardous voltage!
	Will cause death, serious personal injury, or equipment / property damage.

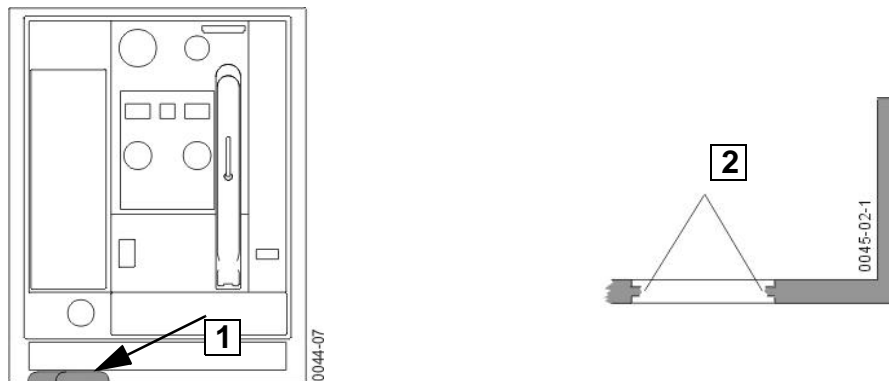
Disconnect power before removing or installing accessories in this equipment.

DRILL HOLE INTO CUBICLE DOOR



- (1) Lower edge of door cutout
- (2) Center of front panel
- (3) Circuit breaker or guide frame mounting surface
- (4) Hole for first key cylinder
- (5) Hole for second key cylinder (only if provided)

KNOCK OUT FIELDS ON THE FRONT BREAKER PANEL



- 1 Knock out the fields on the front panel using suitable supports
- 2 Deburr the edges



DANGER

Hazardous voltage!

Will cause death, serious personal injury, or equipment / property damage.

Disconnect power before removing or installing accessories in this equipment.

ORDER NO.

	Key Locking device in OPEN position	Manufacturer	Catalog No.
2	Single lock	KIRK	WLDLKRK
		SUPERIOR	WDLDSUP
	Double lock	KIRK	WDLDKRK
		SUPERIOR	WDLDSUP