



Station class hookstick disconnects

Types EH, EHL, EHTT and V

Answers for energy.

SIEMENS



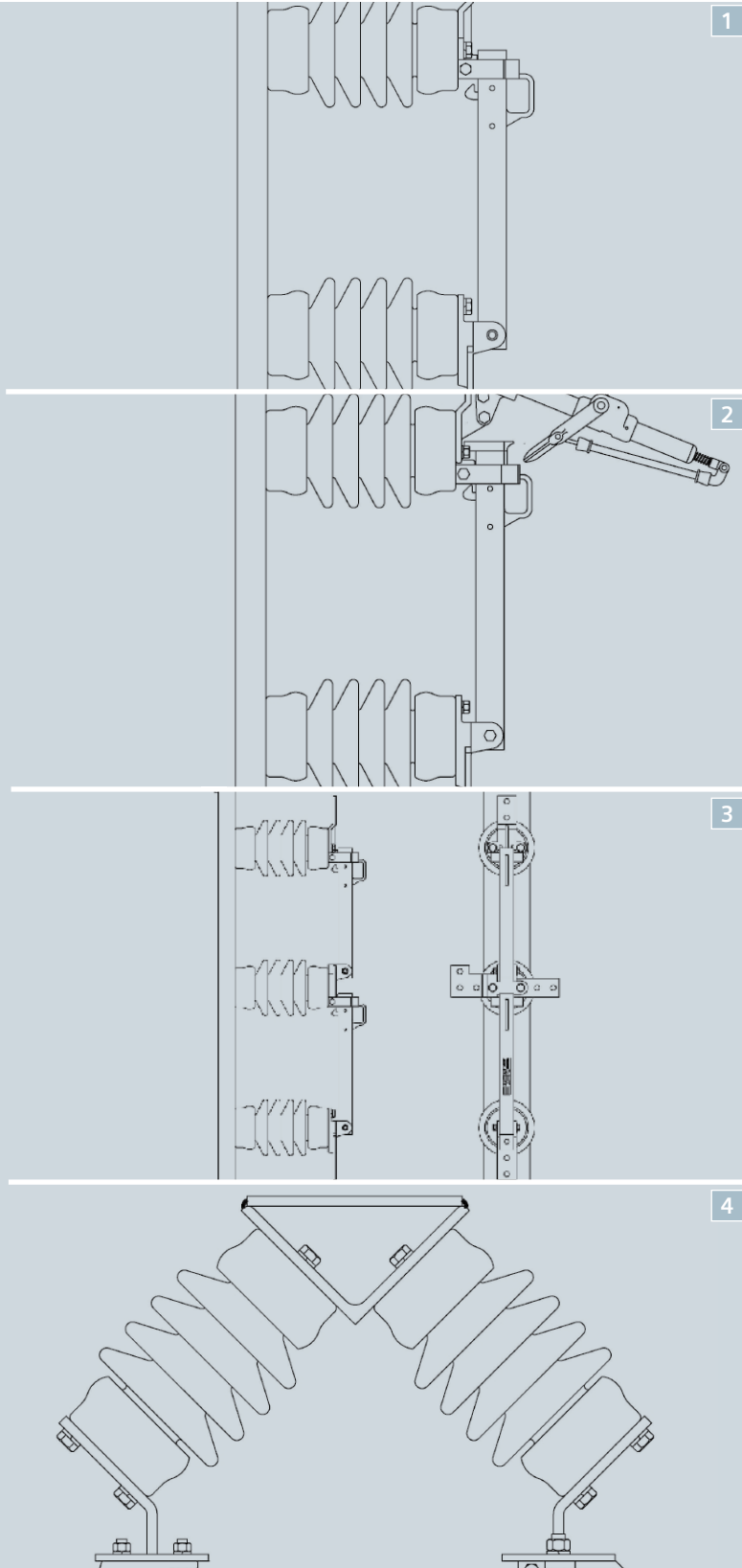


Station class hookstick disconnects

Types EH, EHL, EHTT and V



Overview



1

1. Type EH disconnect switch

Station-class hookstick-operated switch

The type EH is a clean, simple and reliable power-class disconnect switch featuring:

- Square tubular blade with a highly efficient section both for mechanical rigidity and electrical conductivity
- High-pressure coin silver jaw contacts
- Positive latch, effective pry-out mechanism
- Precision machined hinge and jaw castings for low resistance connection
- 90° blade stop
- NEMA 3" D.B.C. insulators
- Galvanized steel channel base.

2

2. Type EHL disconnect switch

Station-class hookstick interrupter switch

The type EHL carries all of the qualities of the type EH, as well as a Saf-T-Gap interrupter, a high-performance unit that is simple to install and remove with a standard shotgun stick.

3

3. Type EHTT disconnect switch

Station-class tandem transfer switch

The type EHTT carries all of the qualities of the type EH set up in tandem transfer configuration.

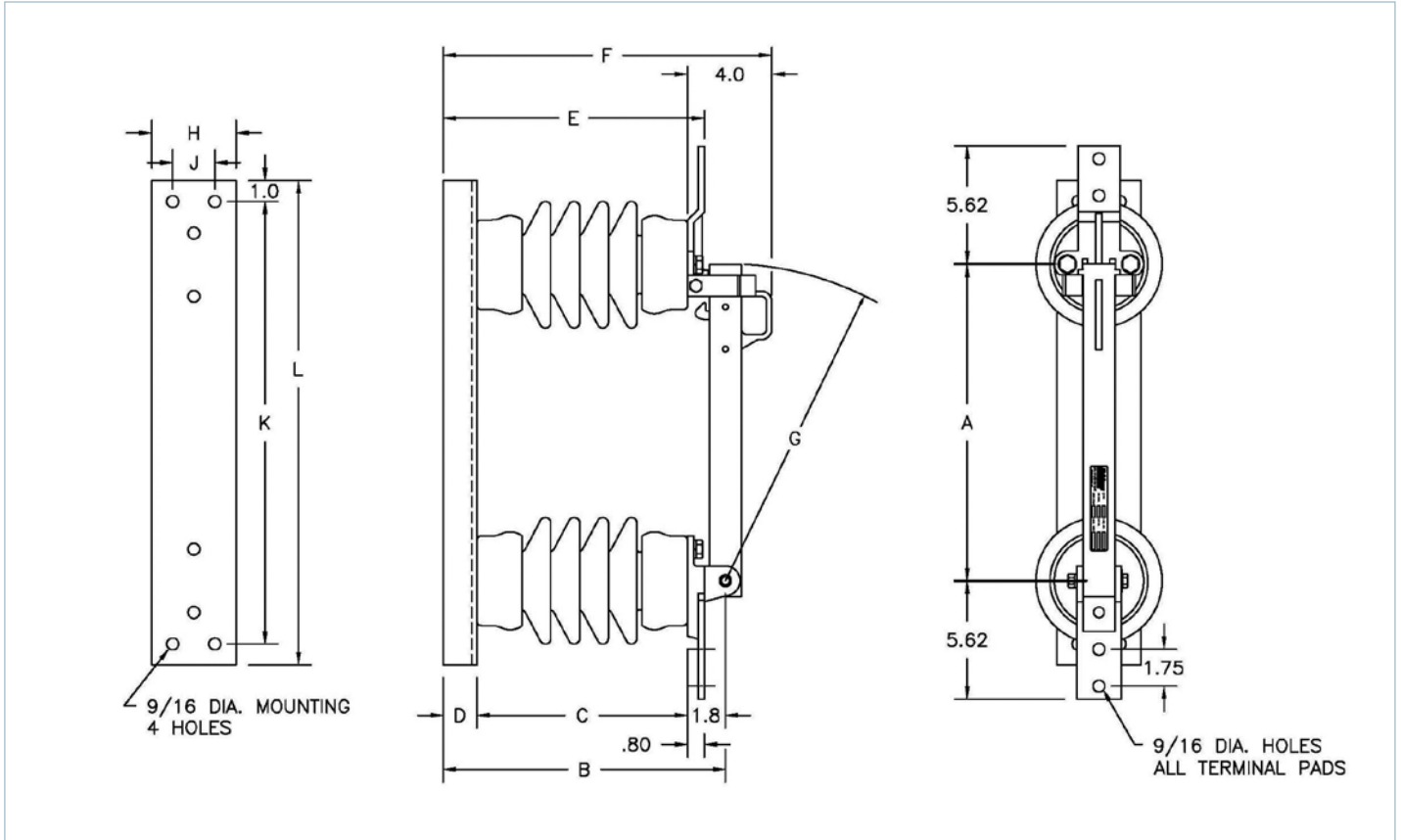
4

4. V-type configuration

The type EH and the type EHL are also available in a V-type configuration.

Specifications

Type EH disconnect switch 3" D.B.C. 600 A



Catalog number	Rating data					Dimensions - inches											Net weight - pounds	
	Nom. kV	Max. kV	kV BIL	Cont. current amp	Mom. current amp	A	B	C	D	E	F	G	H	J	K	L	3" D.B.C. porcelain	3" D.B.C. polymer
640	14.4	15	110	600	40,000	15	13.4	10	1.6	12.4	15.6	15	4	2	21	23	54	39
740	23	25	150	600	40,000	18	17.4	14	1.6	16.4	19.6	18	4	2	24	26	63	39
840	34.5	38	200	600	40,000	24	21.55	18	1.6	20.55	23.8	24	5	2	30	32	87	47
HV940	46	48.3	250	600	65,000*	30	26.1	22	2.03	22.8	28.3	30	6	3	39	41		
HV1040	69	72.5	350	600	65,000*	42	34.1	30	2.03	30.8	36.3	41.9	6	3	51	53		

*Peak withstand amp

Note: Add the following suffixes to catalog numbers for the option described

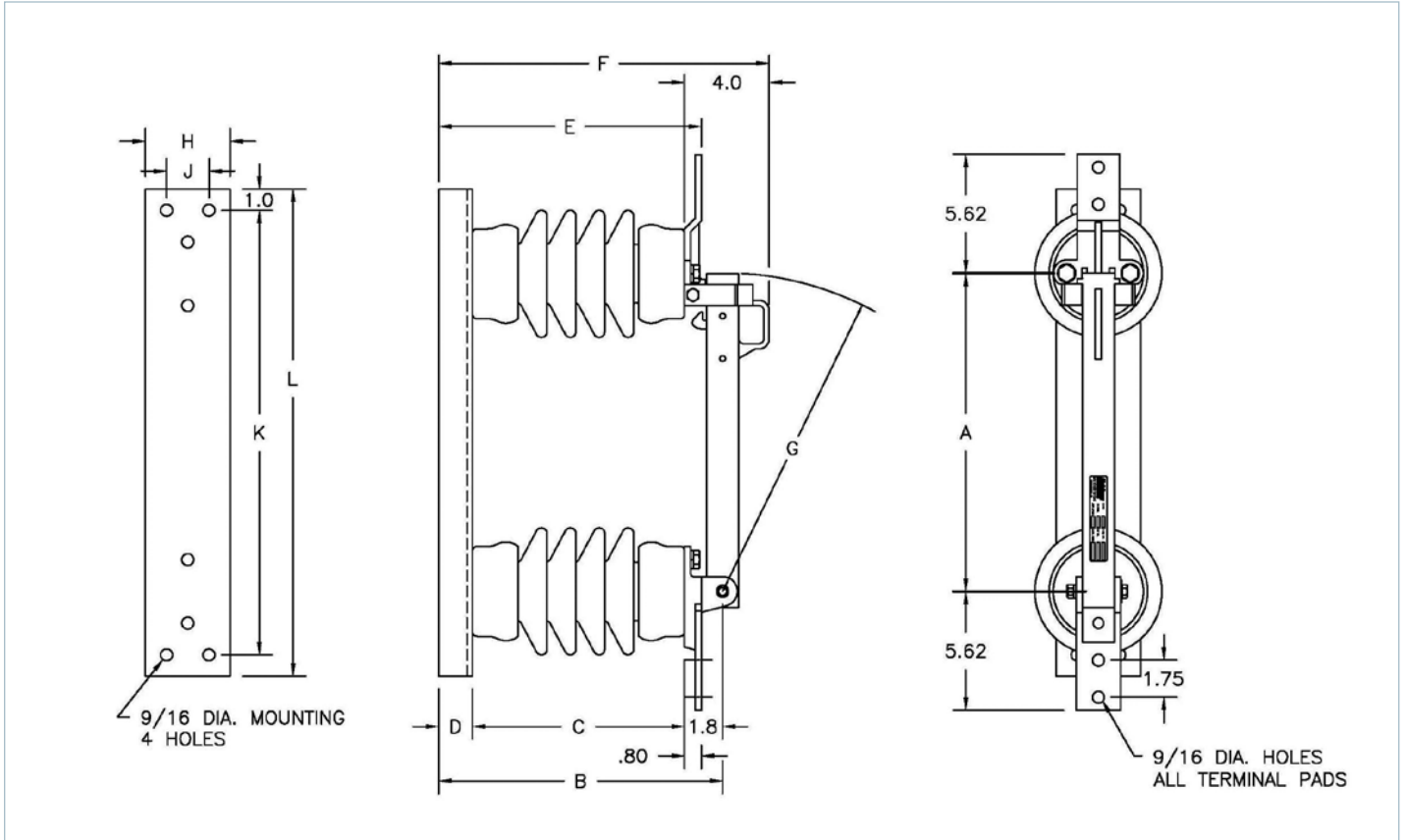
- C = Polymer insulator
- H = Loadbreak hooks
- K = Cable connector
- #6 - 397.5 MCM ACSR
- #6 - 500 MCM copper

- P = Pole mount bracket
- QB = Quick break
- T = Tinned terminal pads
- X = Backplate set

Example: "640CT = Type EH, 15 kV, 600 A, with 3" D.B.C. polymer insulators and tinned terminal pads"

Specifications

Type EH disconnect switch 3" D.B.C. 900 A



Catalog number	Rating data					Dimensions - inches											Net weight - pounds	
	Nom. kV	Max. kV	kV BIL	Cont. current amp	Mom. current amp	A	B	C	D	E	F	G	H	J	K	L	3" D.B.C. porcelain	3" D.B.C. polymer
650	14.4	15	110	900	40,000	15	13.4	10	1.6	12.4	15.6	15	4	2	21	23	55	40
750	23	25	150	900	40,000	18	17.4	14	1.6	16.4	19.6	18	4	2	24	26	64	40
850	34.5	38	200	900	40,000	24	21.55	18	1.6	20.55	23.8	24	5	2	30	32	88	48
HV950	46	48.3	250	900	65,000*	30	26.1	22	2.03	22.8	28.3	30	6	3	39	41		
HV1050	69	72.5	350	900	65,000*	42	34.1	30	2.03	30.8	36.3	41.9	6	3	51	53		

*Peak withstand amp

Note: Add the following suffixes to catalog numbers for the option described

C = Polymer insulator

H = Loadbreak hooks

K = Cable connector

#6 - 397.5 MCM ACSR

#6 - 500 MCM copper

P = Pole mount bracket

QB = Quick break

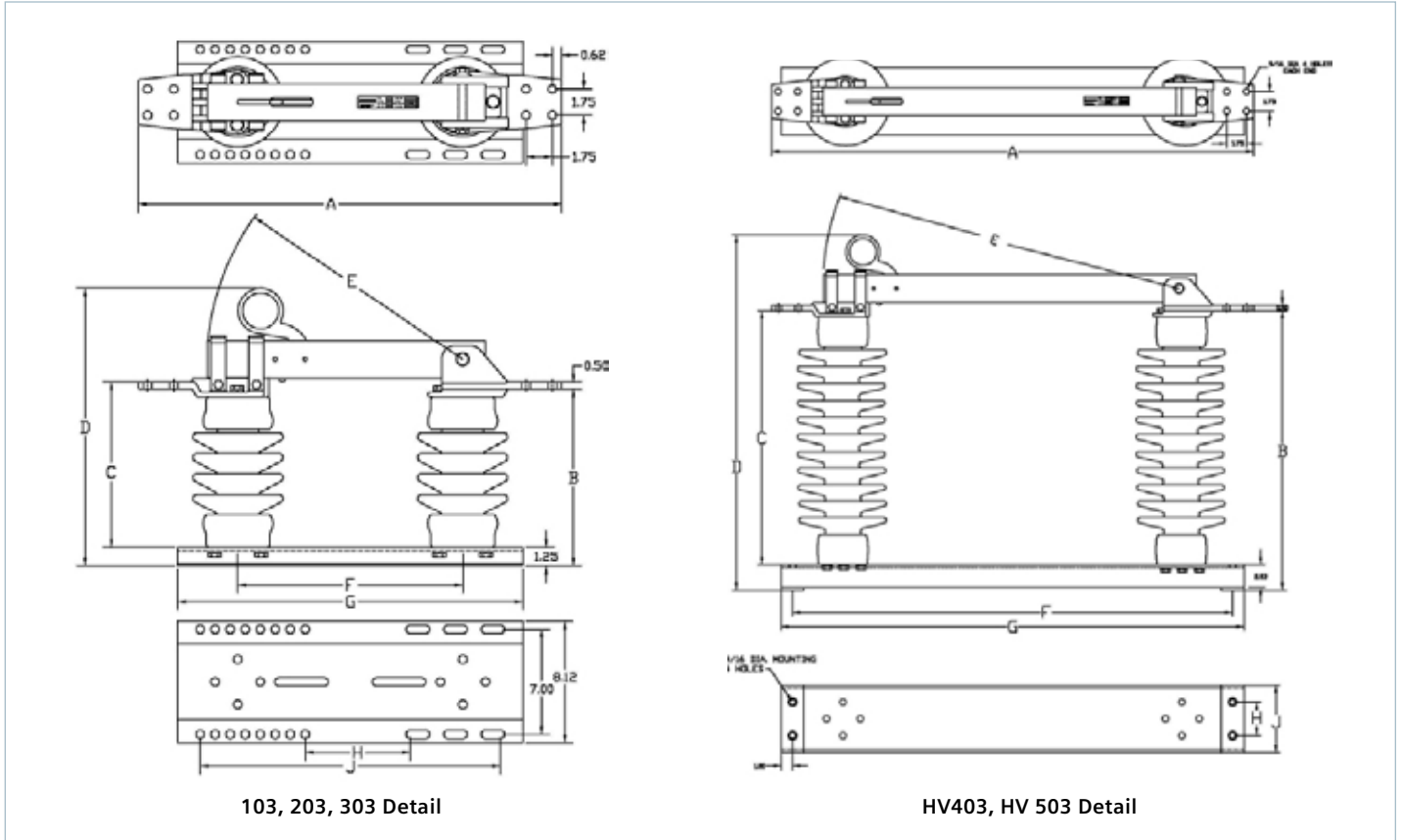
T = Tinned terminal pads

X = Backplate set

Example: "750CT = Type EH, 25 kV, 900 A, with 3" D.B.C. polymer insulators and tinned terminal pads"

Specifications

Type EH disconnect switch 3" D.B.C. 1,200 A



103, 203, 303 Detail

HV403, HV 503 Detail

Catalog number	Rating data					Dimensions - inches										Net weight - pounds	
	Nom. kV	Max. kV	kV BIL	Cont. current amp	Peak Withstand amp	A	B	C	D	E	F	G	H	J	3" D.B.C. porcelain	3" D.B.C. polymer	
103	14.4	15	110	1,200	99,000	28.2	11.75	11	18.48	17	15	23	7	20	57	43	
203	23	25	150	1,200	99,000	31.18	15.75	14.5	22.48	20.03	18	24	6	21	76	58	
303	34.5	38	200	1,200	99,000	37.14	19.75	18.49	26.47	26	24	30	12	27	100	80	
HV403	46	48.3	250	1,200	99,000	42.7	24.78	22.5	31.5	32	39	41	3	6			
HV503	69	72.5	350	1,200	99,000	55.2	32.79	30.5	39.51	43.5	51	53	4	6			

Note: Add the following suffixes to catalog numbers for the option described

C = Polymer insulator

P = Pole mount bracket

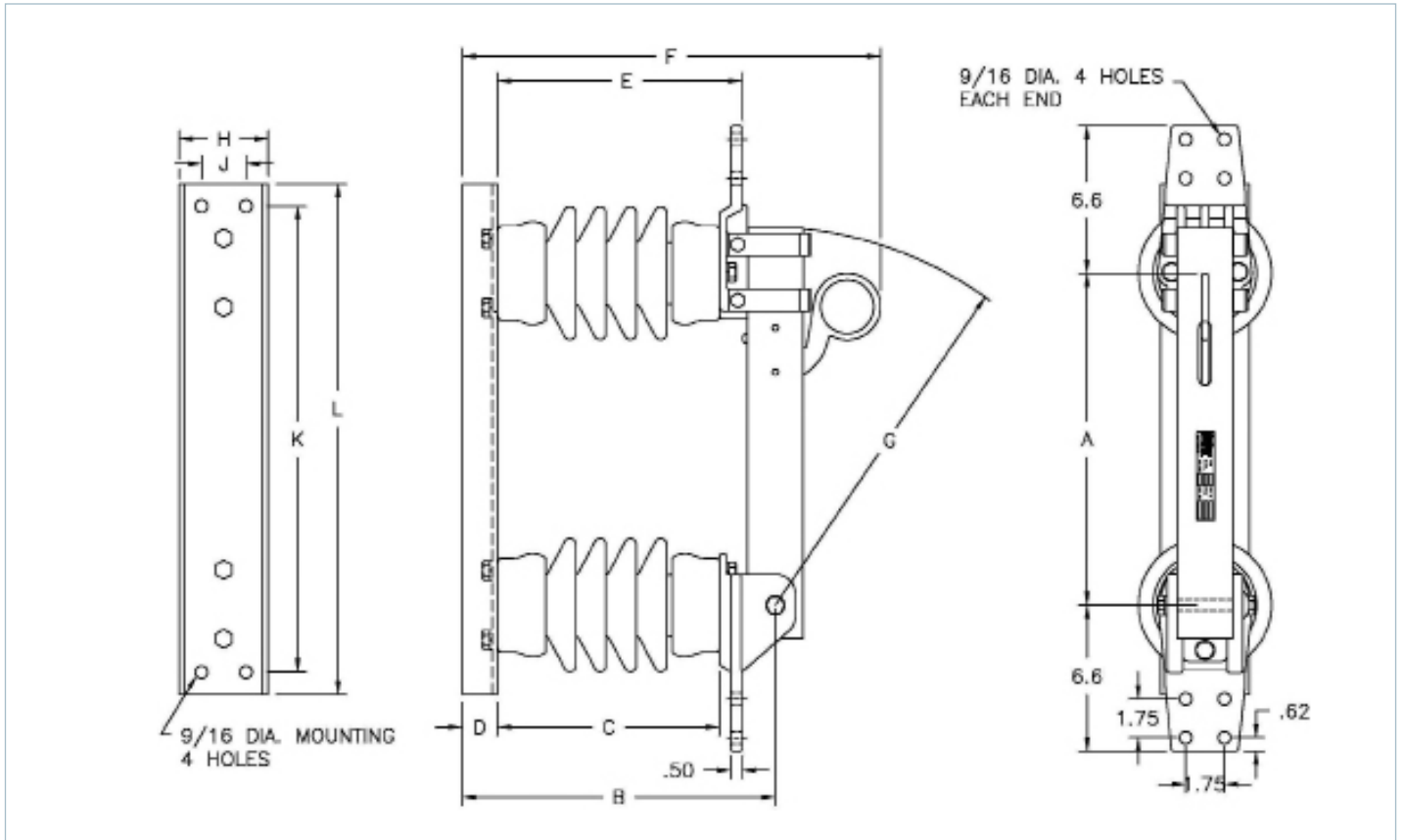
QB = Quick break

X = Backplate set

Example: "203C = Type EH, 25 kV, 1,200 A with 3" D.B.C. polymer insulators and tinned terminal pads"

Specifications

Type EH disconnect switch 3" D.B.C. 1,200 A



Cat. no.	Rating data					Dimensions - inches											Net weight - pounds	
	Nom. kV	Max. kV	kV BIL	Cont. current amp	Mom. current amp	A	B	C	D	E	F	G	H	J	K	L	3" D.B.C. porcelain	3" D.B.C. polymer
660	14.4	15	110	1,200	61,000	15	14.1	10	1.6	11	18.85	17	4	2	21	23	64	49
760	23	25	150	1,200	61,000	18	18.42	14	1.92	15	23.17	20	5	2	24	26	83	58
860	34.5	38	200	1,200	61,000	24	22.42	18	1.92	19	27.2	26	6	2	30	32	105	65

Note: Add the following suffixes to catalog numbers for the option described

C = Polymer insulator

P = Pole mount bracket

QB = Quick break

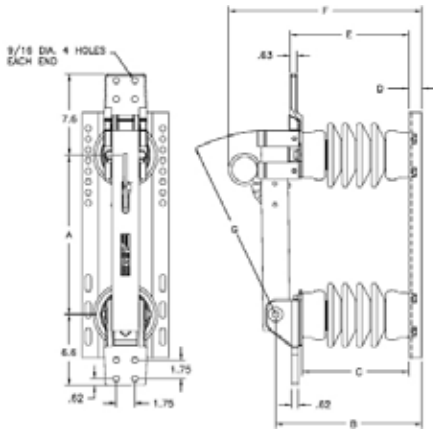
T = Tinned terminal pads

X = Backplate set

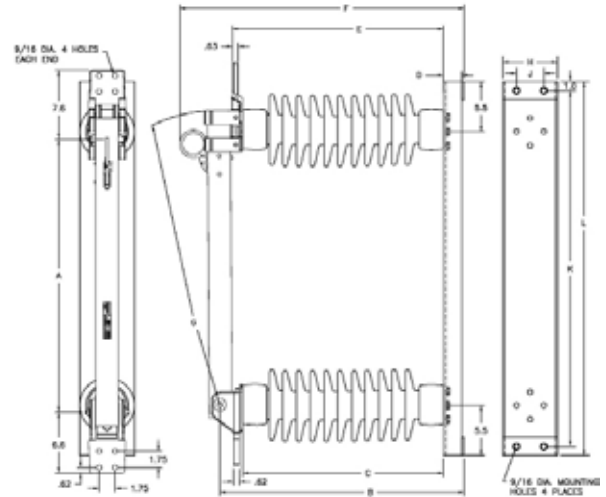
Example: "860CT = Type EH, 38 kV, 1,200 A with 3" D.B.C. polymer insulators and tinned terminal pads"

Specifications

Type EH disconnect switch 3" D.B.C. 2,000 A



620, 720, 820 Detail



HV920, HV1020 Detail

Catalog number	Rating data					Dimensions - inches											Net weight - pounds	
	Nom. kV	Max. kV	kV BIL	Cont. current amp	Peak Withstand amp	A	B	C	D	E	F	G	H	J	K	L	3" D.B.C. porcelain	3" D.B.C. polymer
620	14.4	15	110	2,000	114,000	14.9	13.7	10	1.2	11.1	18.1	17.3	7	20			73	58
720	23	25	150	2,000	114,000	17.9	17.7	14	1.2	15.1	22.1	20.3	6	21			86	61
820	34.5	38	200	2,000	114,000	23.9	21.7	18	1.2	19.1	26.1	26.3	12	27			104	64
HV920	46	48.3	250	2,000	114,000	29.9	26.8	22	2.03	23.1	21.2	32.3	6	3	39	41		
HV1020	69	72.5	350	2,000	114,000	41.9	34.8	30	2.03	31.1	39.2	44.3	6	4	51	53		

Note: Add the following suffixes to catalog numbers for the option described

C = Polymer insulator

P = Pole mount bracket

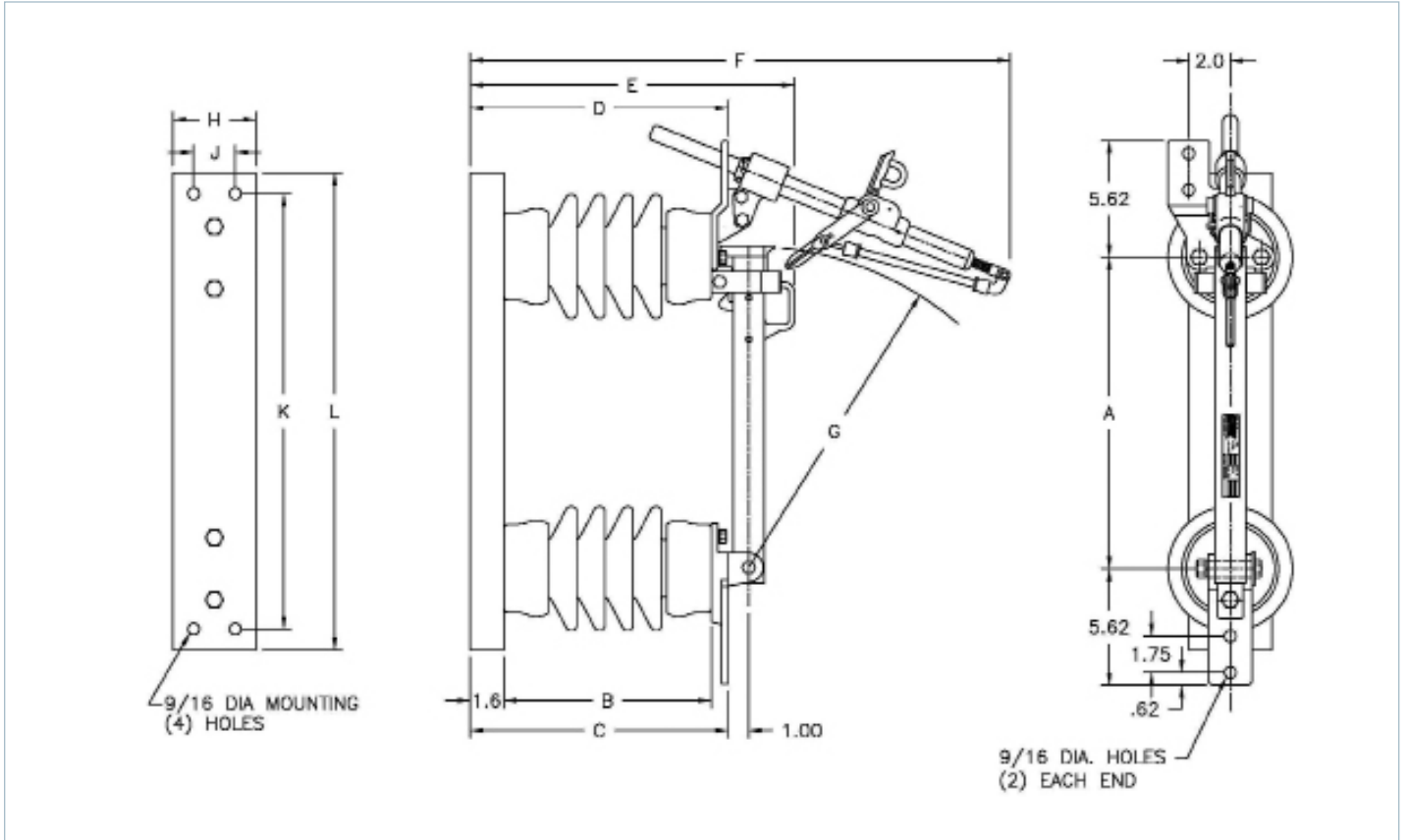
QB = Quick break

X = Backplate set

Example: "620C = Type EH, 15 kV, 2,000 A with 3" D.B.C. polymer insulators and tinned terminal pads"

Specifications

Type EHL disconnect switch 3" D.B.C. 600 A



Cat. no.	Rating data					Dimensions - inches											Net weight - pounds	
	Nom. kV	Max. kV	kV BIL	Cont. current amp	Mom. current amp	A	B	C	D	E	F	G	H	J	K	L	3" D.B.C. porcelain	3" D.B.C. polymer
645	14.4	15	110	600	40,000	15	10	12.4	12.4	15.6	26	15.5	4	2	21	23	59	44
745	23	25	150	600	40,000	18	14	16.4	16.4	19.6	30	18.5	4	2	24	26	68	44
845	34.5	38	200	600	40,000	24	18	20.4	20.4	23.6	34	24.5	5	2	30	32	92	52

Note: Add the following suffixes to catalog numbers for the option described

C = Polymer insulator

K = Cable connector

#6 - 397.5 MCM ACSR

#6 - 500 MCM copper

P = Pole mount bracket

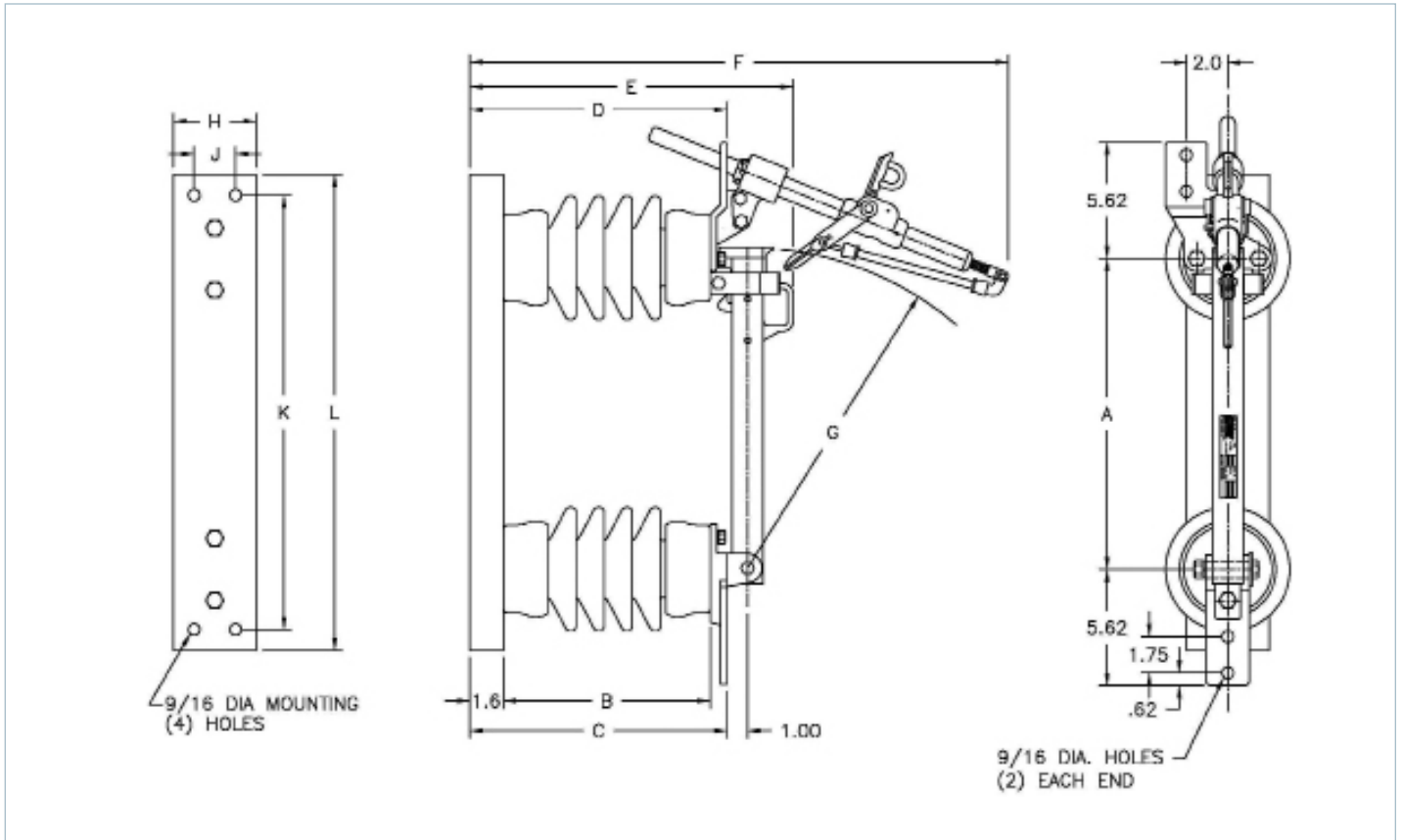
T = Tinned terminal pads

X = Backplate set

Example: "645CT = Type EHL, 15 kV, 600 A with 3" D.B.C. polymer insulators and tinned terminal pads"

Specifications

Type EHL disconnect switch 3" D.B.C. 900 A



Cat. no.	Rating data					Dimensions - inches											Net weight - pounds	
	Nom. kV	Max. kV	kV BIL	Cont. current amp	Mom. current amp	A	B	C	D	E	F	G	H	J	K	L	3" D.B.C. porcelain	3" D.B.C. polymer
655	14.4	15	110	900	40,000	15	10	12.4	12.4	15.6	26	15.5	4	2	21	23	60	45
755	23	25	150	900	40,000	18	14	16.4	16.4	19.6	30	18.5	4	2	24	26	69	45
855	34.5	38	200	900	40,000	24	18	20.4	20.4	23.6	34	24.5	5	2	30	32	93	53

Note: Add the following suffixes to catalog numbers for the option described

C = Polymer insulator

K = Cable connector

#6 - 397.5 MCM ACSR

#6 - 500 MCM copper

P = Pole mount bracket

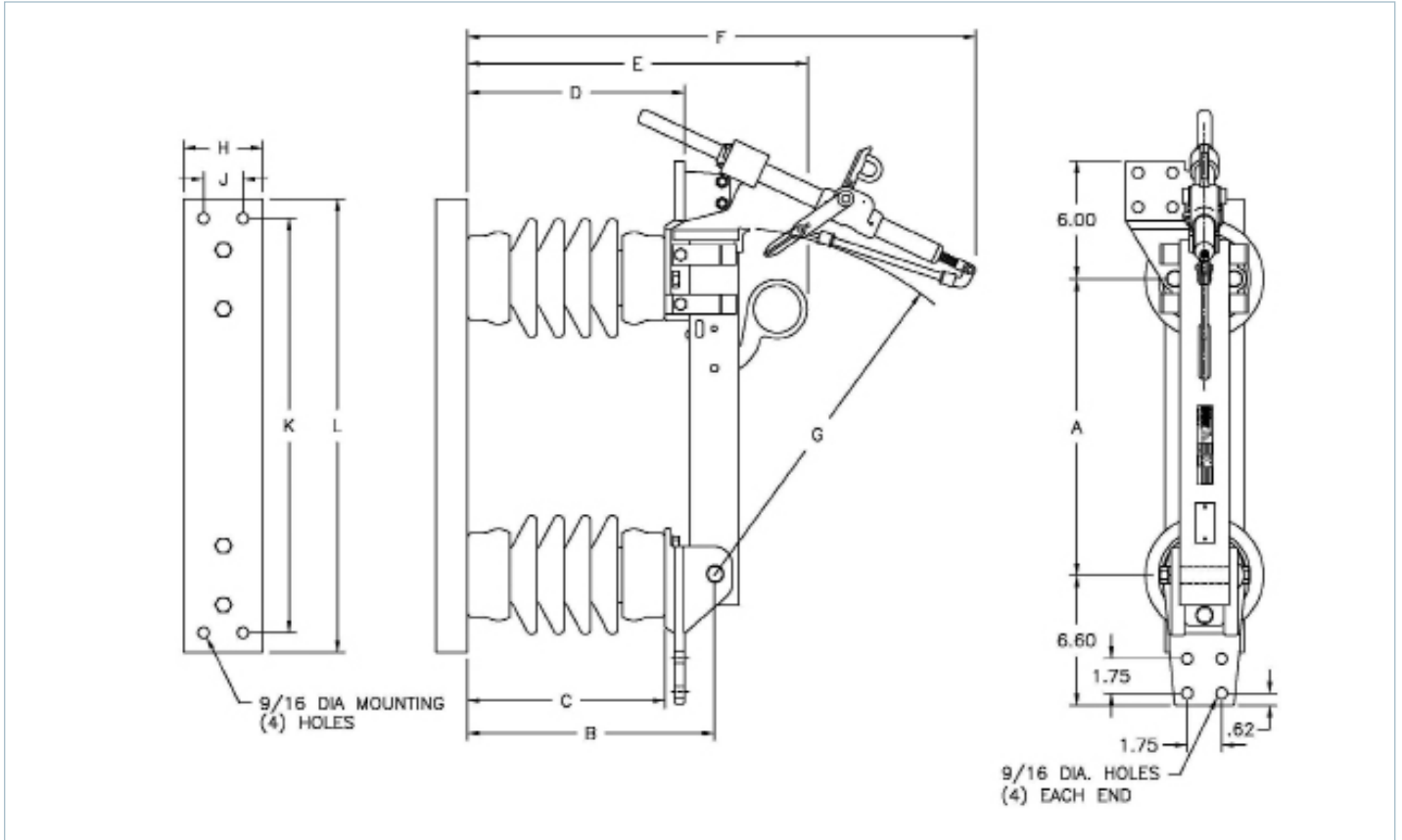
T = Tinned terminal pads

X = Backplate set

Example: "755CT = Type EHL, 25 kV, 900 A with 3" D.B.C. polymer insulators and tinned terminal pads"

Specifications

Type EHL disconnect switch 3" D.B.C. 1,200 A



Cat. no.	Rating data					Dimensions - inches											Net weight - pounds	
	Nom. kV	Max. kV	kV BIL	Cont. current amp	Mom. current amp	A	B	C	D	E	F	G	H	J	K	L	3" D.B.C. porcelain	3" D.B.C. polymer
665	14.4	15	110	1,200	61,000	15	12.5	10	11	17.25	25.75	17.7	4	2	21	23	69	54
765	23	25	150	1,200	61,000	18	16.5	14	15	21.25	29.75	20.7	5	2	24	26	88	63
865	34.5	38	200	1,200	61,000	24	20.5	18	19	25.25	33.75	26.7	5	2	30	32	110	70

Note: Add the following suffixes to catalog numbers for the option described

C = Polymer insulator

P = Pole mount bracket

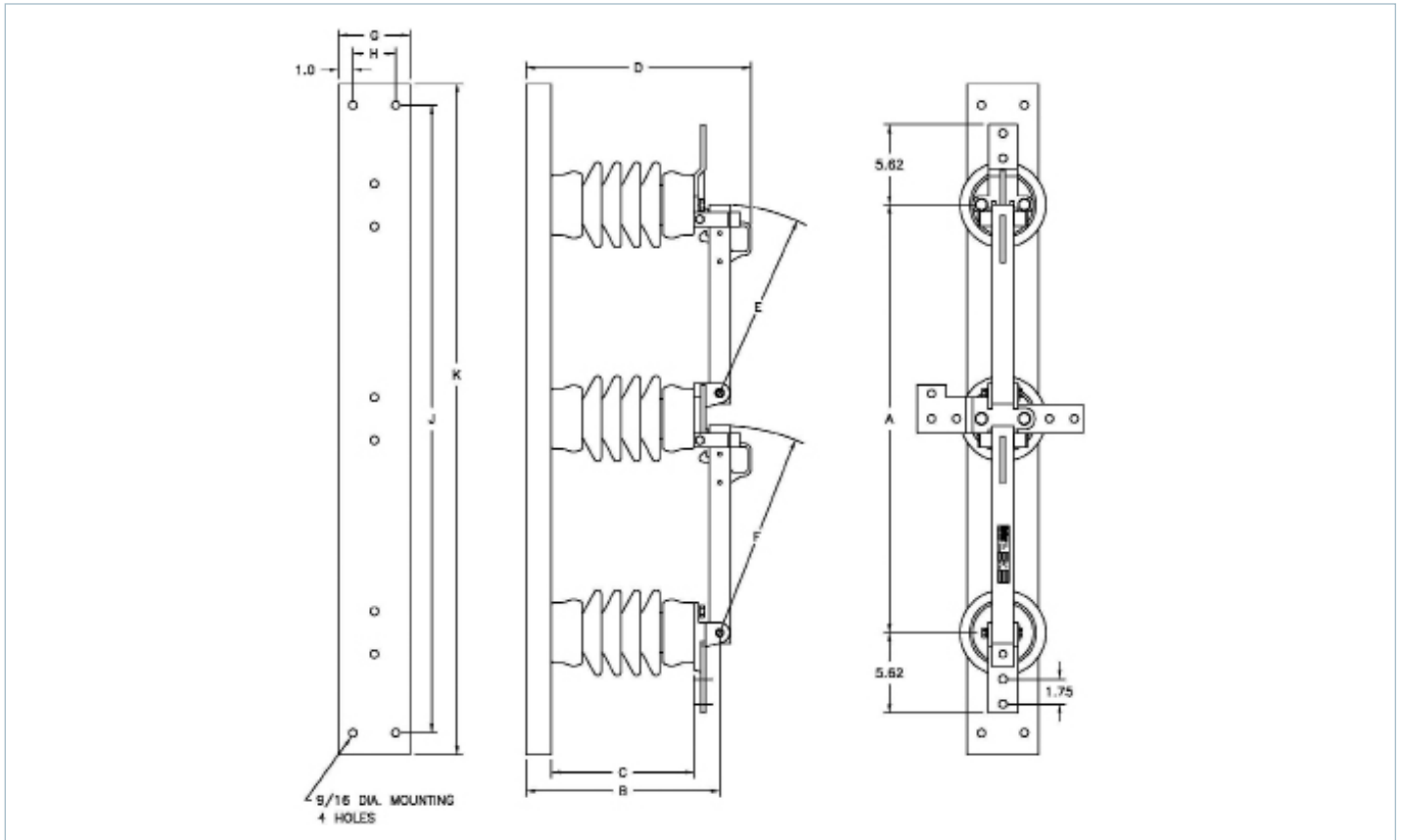
T = Tinned terminal pads

X = Backplate set

Example: "865CT = Type EHL, 38 kV, 1,200 A with 3" D.B.C. polymer insulators and tinned terminal pads"

Specifications

Type EHTT disconnect switch 3" D.B.C. 600 A



Cat. no.	Rating data					Dimensions - inches											Net weight - pounds	
	Nom. kV	Max. kV	kV BIL	Cont. current amp	Mom. current amp	A	B	C	D	E	F	G	H	J	K	3" D.B.C. porcelain	3" D.B.C. polymer	
643	14.4	15	110	600	40,000	30	13.6	10	15.7	13.2	14.5	5	3	44	47	88	66	
743	23	25	150	600	40,000	36	17.6	14	19.7	16.2	17.5	5	3	50	53	105	68	
843	34.5	38	200	600	40,000	48	21.6	18	23.7	22.2	23.5	5	3	62	65	139	79	

Note: Add the following suffixes to catalog numbers for the option described

C = Polymer insulator

H = Loadbreak hooks

K = Cable connector

#6 - 397.5 MCM ACSR

#6 - 500 MCM copper

P = Pole mount bracket

QB = Quick break

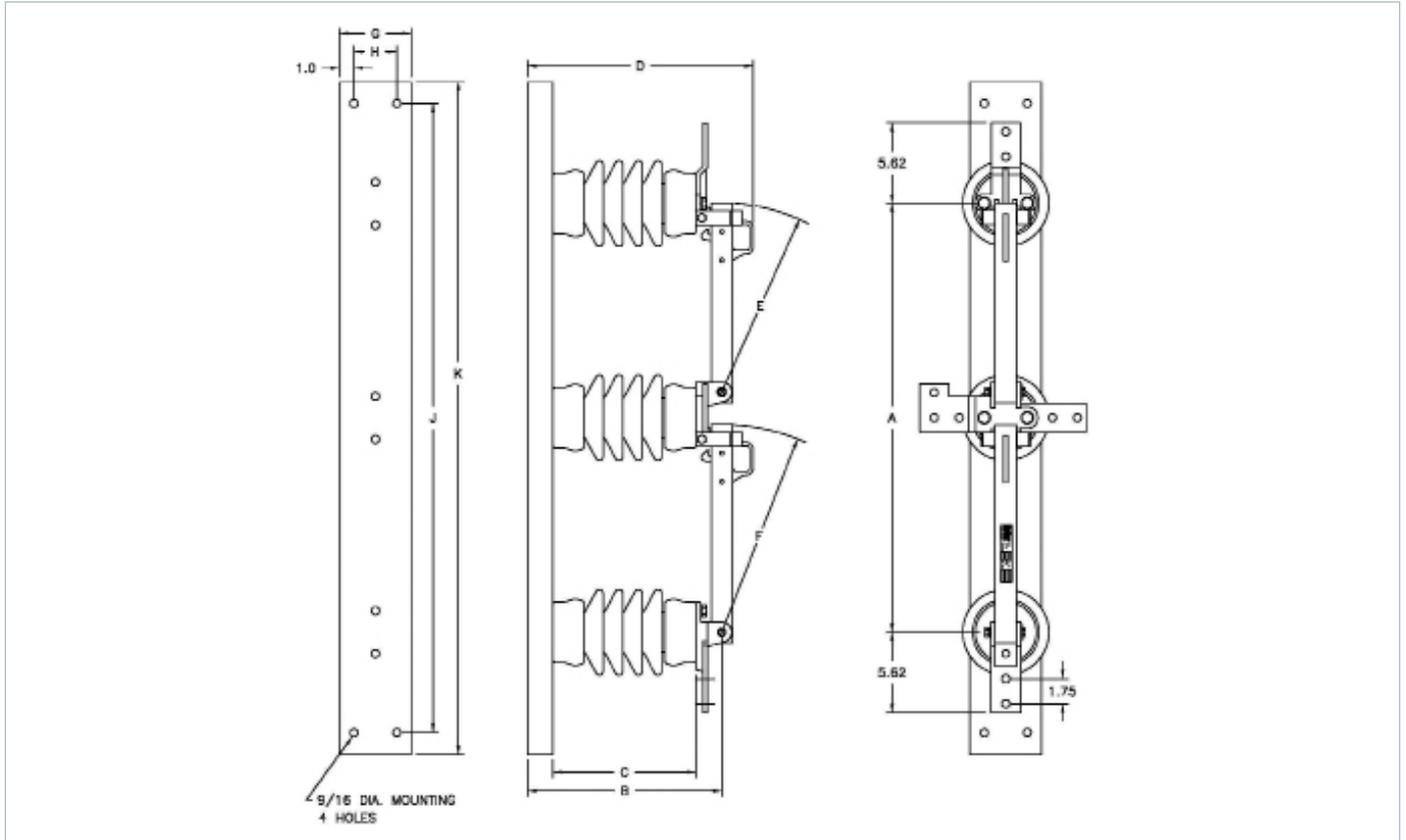
T = Tinned terminal pads

X = Backplate set

Example: "643CT = Type EHTT, 15 kV, 600 A with 3" D.B.C. polymer insulators and tinned terminal pads"

Specifications

Type EHTT disconnect switch 3" D.B.C. 900 A



Cat. no.	Rating data					Dimensions - inches											Net weight - pounds	
	Nom. kV	Max. kV	kV BIL	Cont. current amp	Mom. current amp	A	B	C	D	E	F	G	H	J	K	3" D.B.C. porcelain	3" D.B.C. polymer	
653	14.4	15	110	900	40,000	30	13.6	10	15.7	13.2	14.5	5	3	44	47	90	68	
753	23	25	150	900	40,000	36	17.6	14	19.7	16.2	17.5	5	3	50	53	107	70	
853	34.5	38	200	900	40,000	48	21.6	18	23.7	22.2	23.5	5	3	62	65	141	81	

Note: Add the following suffixes to catalog numbers for the option described

C = Polymer insulator

H = Loadbreak hooks

K = Cable connector

#6 - 397.5 MCM ACSR

#6 - 500 MCM copper

P = Pole mount bracket

QB = Quick break

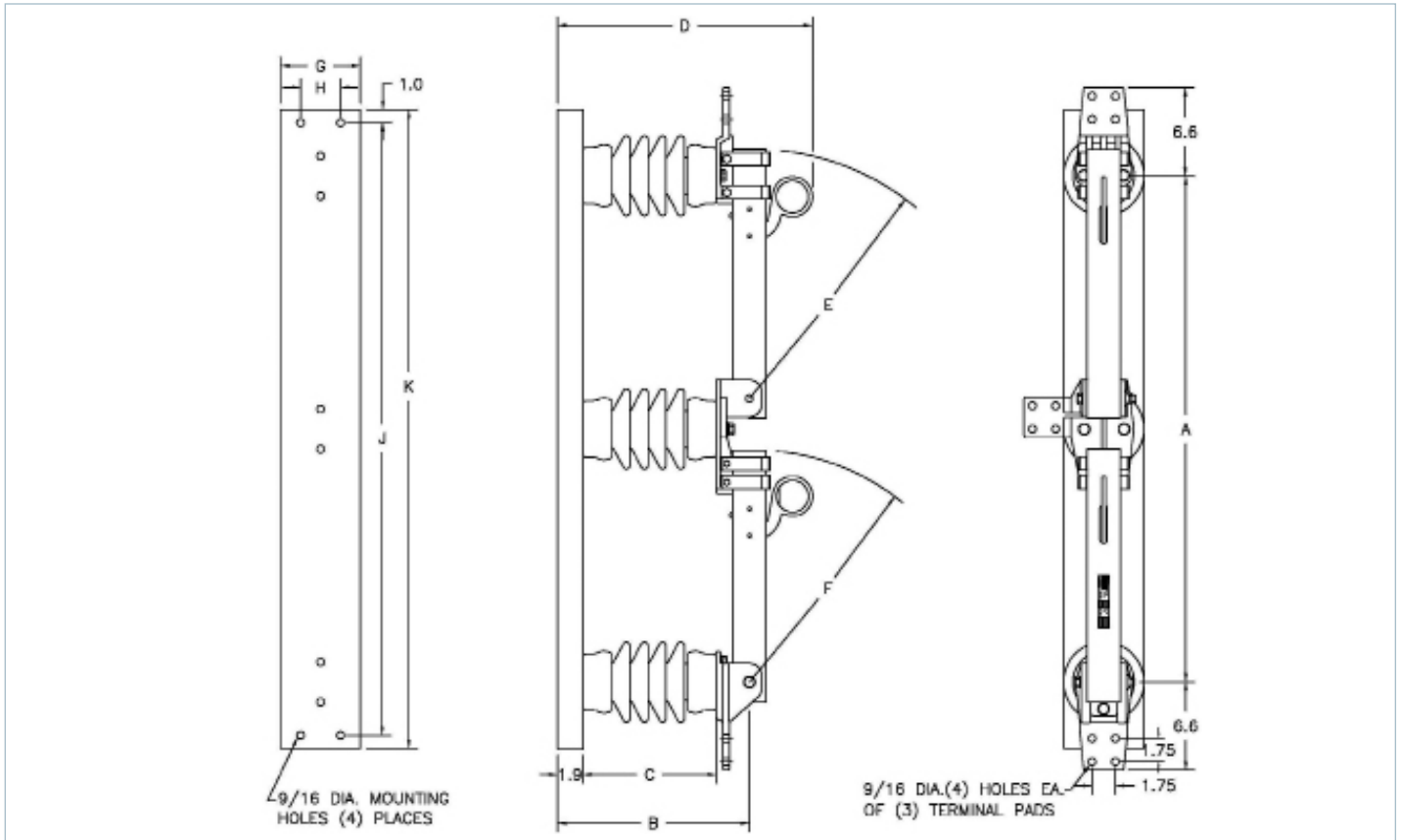
T = Tinned terminal pads

X = Backplate set

Example: "753CT = Type EHTT, 25 kV, 900 A with 3" D.B.C. polymer insulators and tinned terminal pads"

Specifications

Type EHTT disconnect switch 3" D.B.C. 1,200 A



Cat. no.	Rating data					Dimensions - inches											Net weight - pounds	
	Nom. kV	Max. kV	kV BIL	Cont. current amp	Mom. current amp	A	B	C	D	E	F	G	H	J	K	3" D.B.C. porcelain	3" D.B.C. polymer	
662	14.4	15	110	1,200	61,000	38	14.4	10	19.1	18.7	17.4	6	3	46	48	121	99	
762	23	25	150	1,200	61,000	44	18.4	14	23.6	21.7	20.5	6	3	52	54	142	105	
862	34.5	38	200	1,200	61,000	56	22.4	18	27.6	27.7	26.5	6	3	60	62	170	110	

Note: Add the following suffixes to catalog numbers for the option described

C = Polymer insulator

P = Pole mount bracket

QB = Quick break

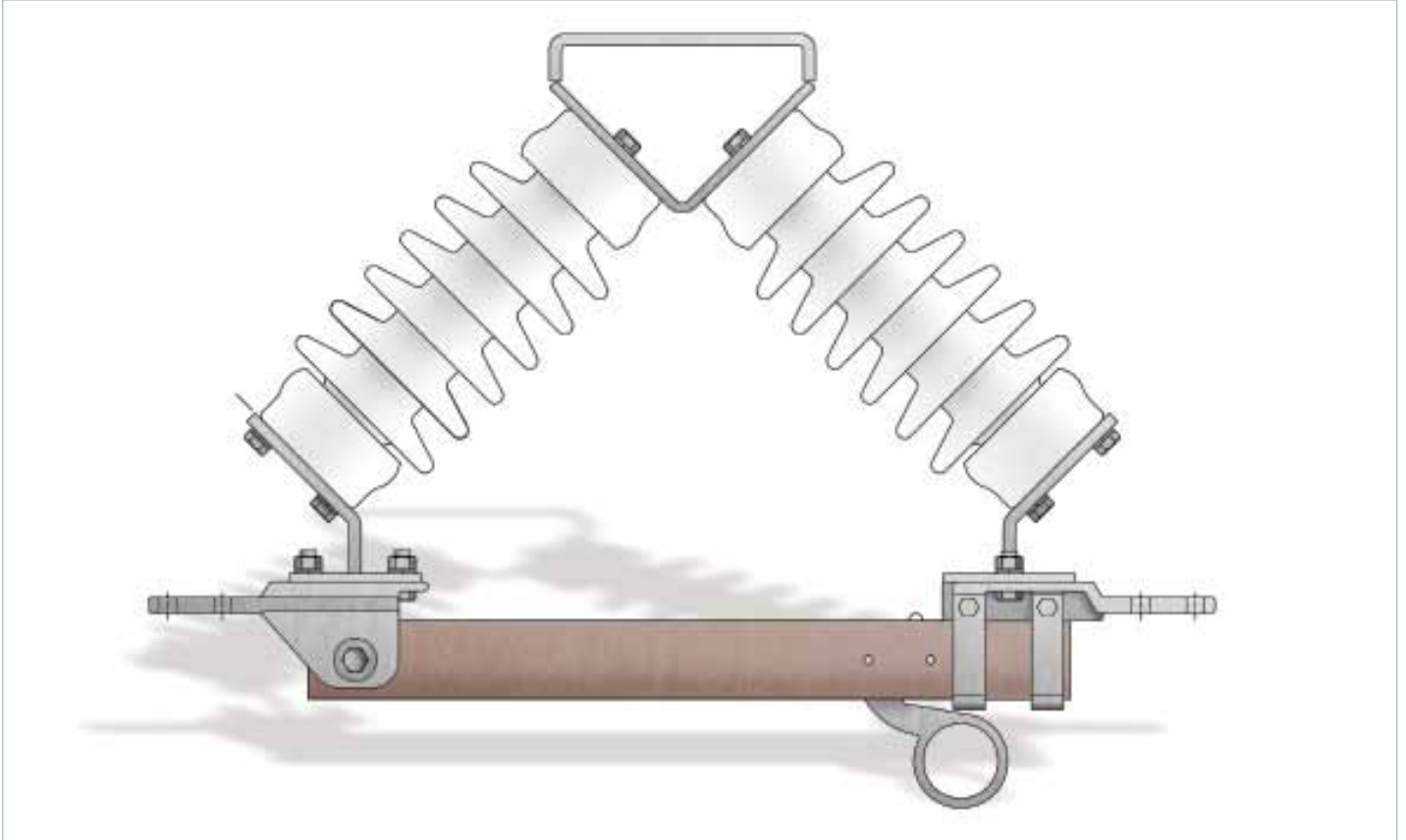
T = Tinned terminal pads

X = Backplate set

Example: "662CT = Type EHTT, 15 kV, 1,200 A with 3" D.B.C. polymer insulators and tinned terminal pads"

V-type configuration

For the types EH and EHL disconnect switches



The type EH and the type EHL are also available in a V-type configuration.

Published by and copyright © 2010:
Siemens AG
Energy Sector
Freyeslebenstrasse 1
91058 Erlangen, Germany

Siemens Energy, Inc.
99 Bolton Sullivan Drive
Heber Springs, AR 72543
Toll-free: +1 (800) 347-6659
Phone: +1 (501) 362-8296

Order No. E50001-F630-A164-X-76US
Printed in USA
TD 1047T BR 0910.5

All rights reserved.
Trademarks mentioned in this document
are the property of Siemens AG, its affiliates,
or their respective owners.

Subject to change without prior notice.
The information in this document contains
general descriptions of the technical options
available, which may not apply in all cases.
The required technical options should therefore
be specified in the contract.