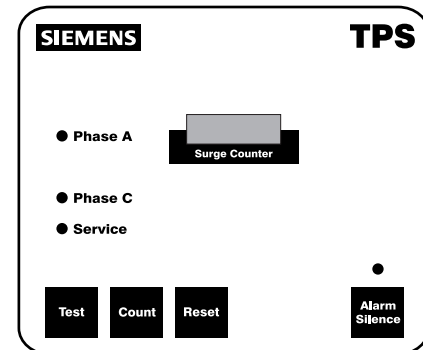


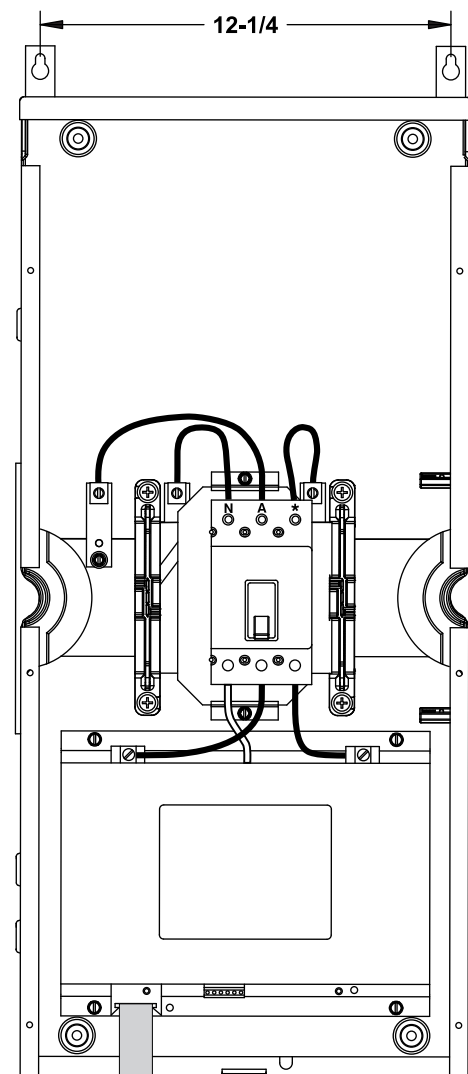
Features

- TYPE 3R OUTDOOR ENCLOSURE
- MAIN BUS RATING: 1200A MAX.
- 100kA MAX. SHORT CIRCUIT CURRENT RATING
- HEG BREAKER DISCONNECT FOR PHASE AND NEUTRAL
- EXTERNAL BREAKER AND SURGE ACCESS - TAMPER RESISTANT

Surge Display Enlargement



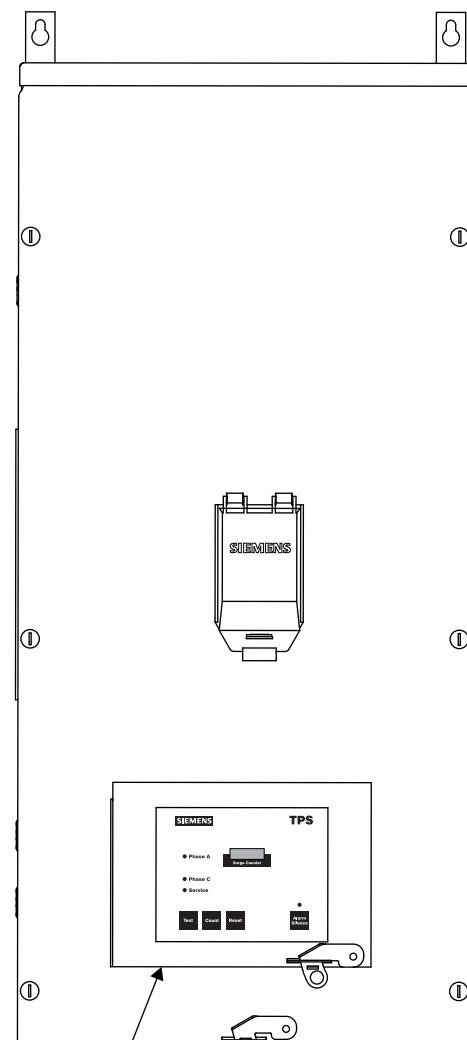
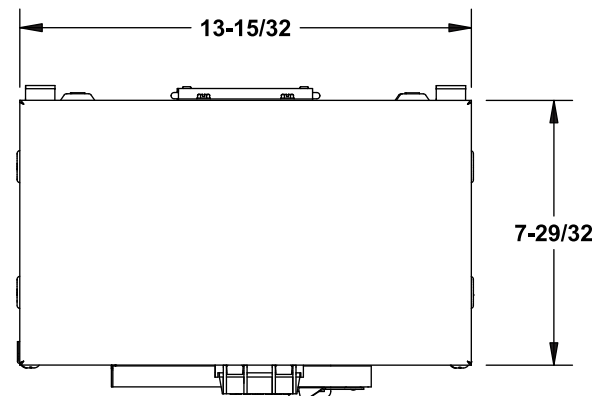
View Shown with Cover Removed



Ribbon Cable connected to Surge Display

Catalog Numbers

Catalog No.	Device Rating	Surge Rating	Replacement SPD	Replacement Disconn. Breaker
WSPD1B40A	120/240 Volts~, 1 Phase, 3 Wire	400kA	TPS3A0640XP	HEG3B060L
WSPD1B50A	120/240 Volts~, 1 Phase, 3 Wire	500kA	TPS3A0650XP	HEG3B060L



Clear, lockable, hinged cover for surge access

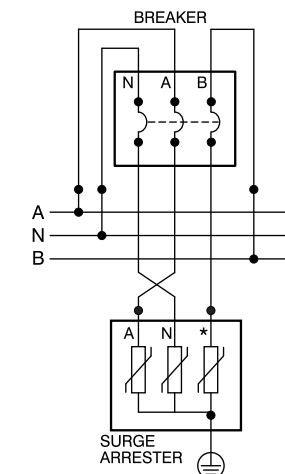
Surge Specifications

Surge Current Rating Per Phase

Per Phase	L-N	L-G	N-G
400kA	200kA	200kA	200kA
500kA	250kA	250kA	250kA

- 100% MONITORING - EVERY MOV IS MONITORED, INCLUDING N-G
- EMI/RFI FILTERING: ACTIVE TRACKING UP TO -50db FROM 10kHz TO 100MHz
- REPETITIVE IMPULSE: 5,000 HITS
- LESS THAN 1/2 NANOSECOND RESPONSE TIME
- RELATIVE HUMIDITY RANGE: 1-95% NON-CONDENSING
- OPERATING FREQUENCY: 47-63Hz
- OPERATING TEMPERATURE: -25°C (-15°F) TO +60°C (140°F)

Schematic

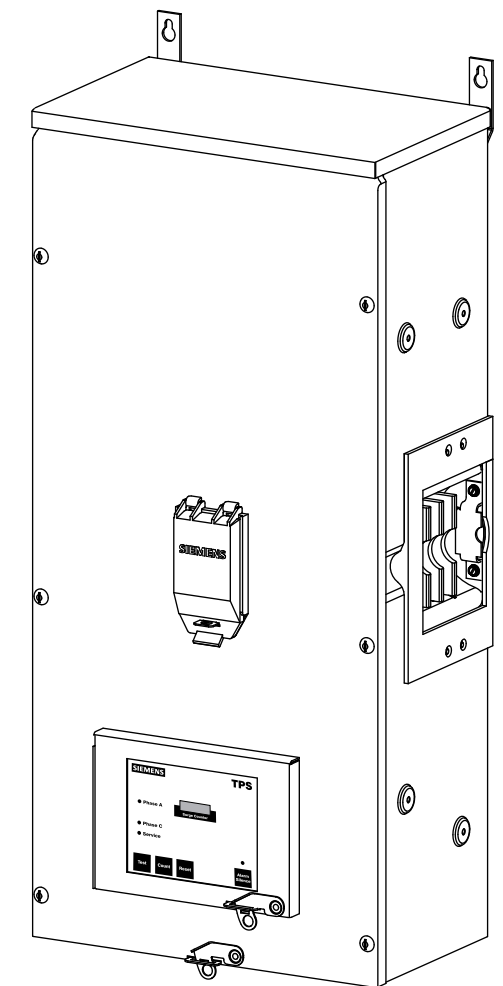
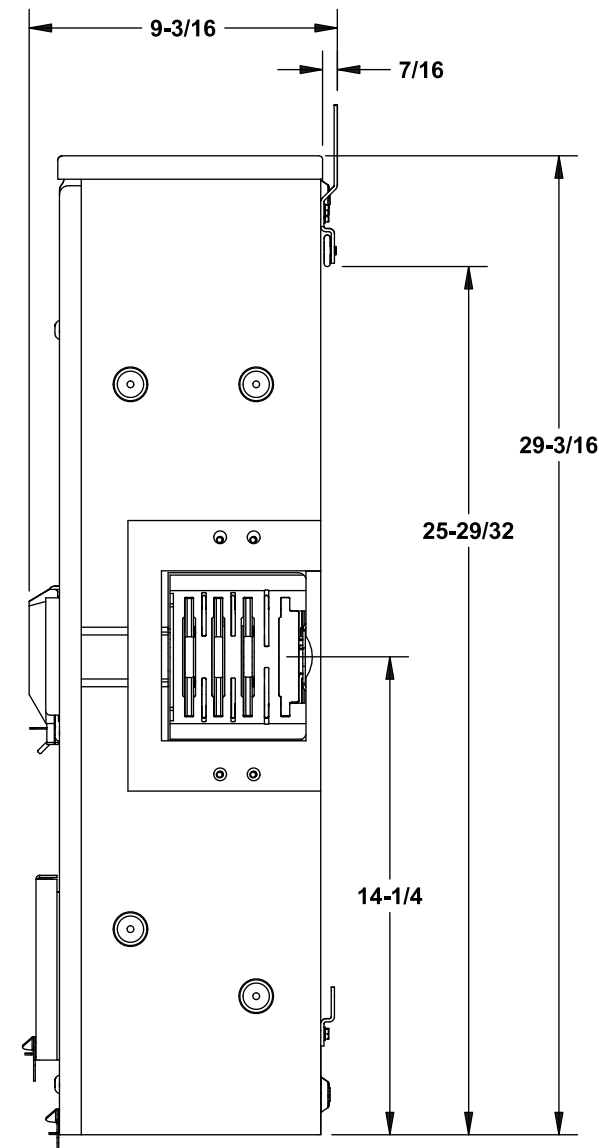


*NOTE: SPD "B" PHASE MAY BE MARKED AS "C" PHASE

Additional Modules

FOR USE WITH:		
Module Description	Siemens Series#	Murray Series#
Main Breakers	(W)MC, WB, WEB	DB_W
Switches	WMP, WMS, WS, WES	DPT_W, DT_W
Tap/Terminal Boxes	WMTB, WTB, WET	DTB_W
Pull Boxes	WMMB, WT_PU	DPB_W
Meter Module	WMM, WxMM, WMT, WML, WMK	DG_W, DC_W, DL_W
Extension Box	WMEX, WSP	DS
Bussed Elbow	BE	DL

Connect Modules Using:	
Using:	Catalog Number / Torque
QuickConnect	QC1 (1ph) 400-440 lb-in (35-36 ft.-lb.) Torque
Single Bolt Joint	SBJ1 (1ph) 400-480 lb-in (35-40 ft.-lb.) Torque



© 2012 Copyright Siemens Industry, Inc.

SIEMENS
Siemens Industry, Inc.

PowerMod™ SPD

Catalog Numbers: **Enclosed Surge Protective Device
1 Phase w/Disconnect, 400k - 500k Surge Rating**

Size B	Dwg. No.	WSPD1B4-5	
Dwn KAM	Date	8/2/12	DO NOT SCALE DRAWING SHEET 1 OF 1