

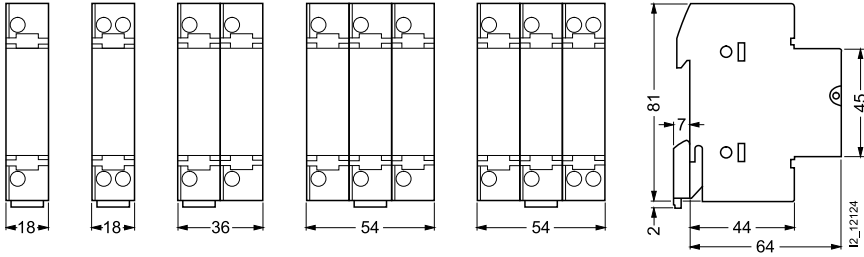
3NW7 Cylindrical fuse holders

| |
|----|
| 1 |
| 2 |
| 3 |
| 4 |
| 5 |
| 6 |
| 7 |
| 8 |
| 9 |
| 10 |
| 11 |
| 12 |
| 13 |
| 14 |
| 15 |
| 16 |

Dimensional drawings

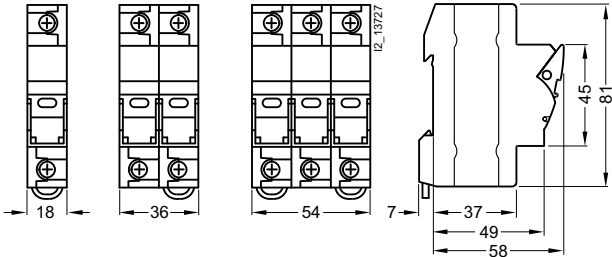
Typical Construction Type C & D

3NW73: Fuse Size 8 mm x 32 mm
 3NW70: Fuse Size 10 mm x 38 mm



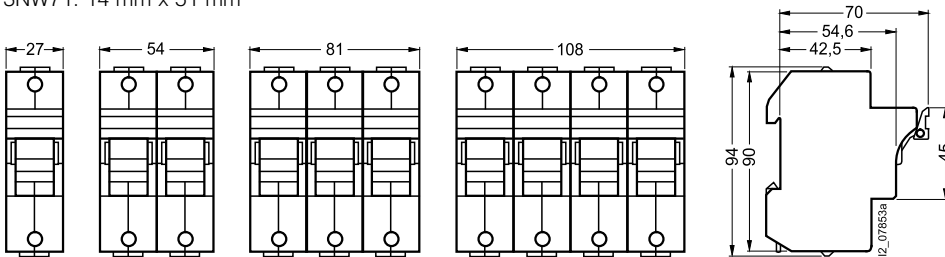
Typical Construction Type E

3NW75.3: Fuse Size 13/32" x 1-1/2", Class CC

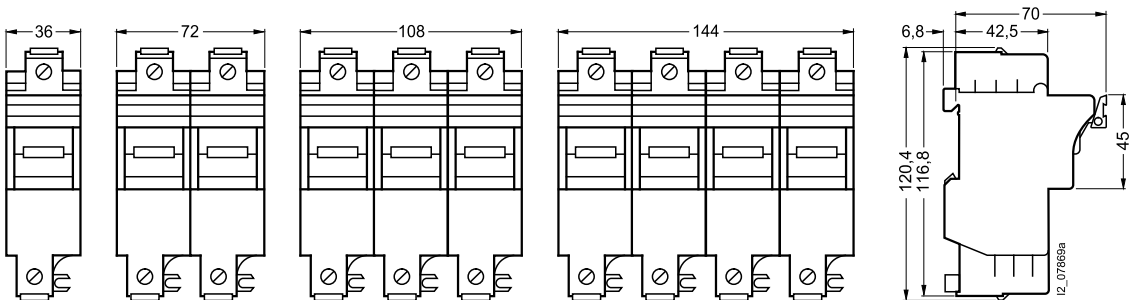


Typical Construction Type A & B

3NW71: 14 mm x 51 mm



3NW72: 22 mm x 58 mm



Control Circuit Protection

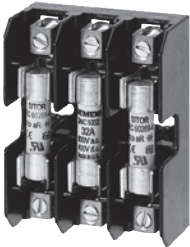
Supplementary Protection

3NC10 Open Cylindrical Fuse Holders

Features

3NC1038 open fuse holders have been certified in accordance with UL 512 and can be used with 13/32" x 1-1/2" (10 x 38 mm) fuses up to 600 V AC, 30 Amperes maximum.

- Type M Supplementary Fuse Holder for use with 13/32" x 1-1/2" (10 x 38 mm) Fuses
- Typical Supplementary Fuses: Bussmann KTK, FNQ, FNM, BAF and BAN. Includes MIDGET Class Fuses
- Ampere Rating: 32A
- Voltage Rating: 600 V
- Withstand Rating: 10,000 RMS Symmetrical (or interrupting rating of the fuse used, whichever is lower)
- Wire Range: 18 to 4 AWG
- UL Recognized, UL 512, Fuse Holder
- UL Flammability: 94VO
- Holder Material: Thermoplastic
- Surface Mounted



Selection and ordering

| Description | Number of poles | Order Number | List Price \$ | Weight Item kg |
|---|-----------------|------------------|---------------|----------------|
| Cylindrical Fuse Holder Type M, Supplementary Fuses for 13/32" x 1-1/2" (10 x 38 mm) | 1 | 3NC1038-1 | | 0.042 |
| | 2 | 3NC1038-2 | | 0.077 |
| | 3 | 3NC1038-3 | | 0.113 |

Dimensions

