

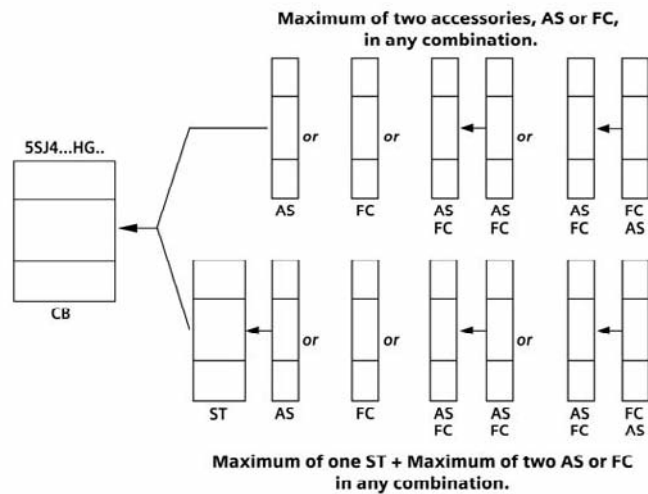
Technical data

Auxiliary Switch (AS), Fault Signal Contacts (FC) and Shunt Trip (ST)

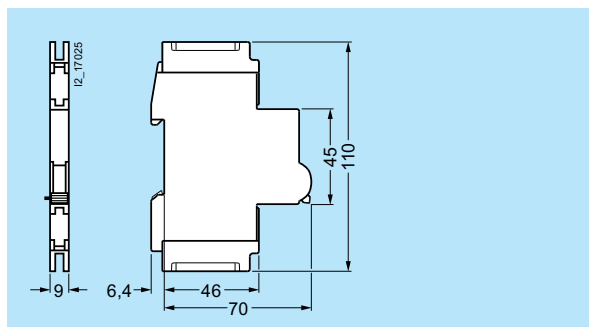
Material Version	AS		FC		ST	
	5ST301-0HG		5ST302-0HG		5ST3030-0HG	5ST3032-0HG
Standards	UL 489; CSA C22.2 No. 5-02 IEC/EN 62019, IEC/EN 60947-5-1				IEC/EN 60947-1	
Certifications	CE, UL 489, CSA, UL File No. E321559					
Rated voltages/-load	IEC AC V 400 230				110 to 415	24 to 60
	AC A 2 6 (NC:AC13, NO: AC14)				-	-
	DC V 220 110 60 24				110	24 to 60
	DC A 1 1 3 6 (DC 13)				-	-
	UL AC V 480 277 240 120				110 to 480	24 to 60
	AC A 1.5 3 4 6				-	-
Contact load	min. 50 mA, 24 V				-	-
	Conductor cross-sections	AWG	22 ... 14		22 ... 14	
		mm ²	0.5 ... 2.5		0.5 ... 2.5	
Terminals - terminal tightening torque	Nm	0.5 max.		0.8 max.		
	lb/in.	4.5		6.8		

Applications

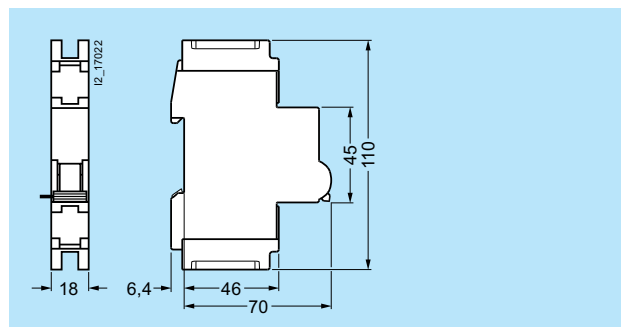
Auxiliary Switch (AS), Fault Signal Contact (FC) and Shunt Trip (ST) accessories are used with 5SJ4...-HG4. miniature circuit breakers (CB) and are mounted to the right of them.



Dimensions



5ST3 010-0HG 5ST3 011-0HG 5ST3 012-0HG
5ST3 020-0HG 5ST3 021-0HG 5ST3 022-0HG

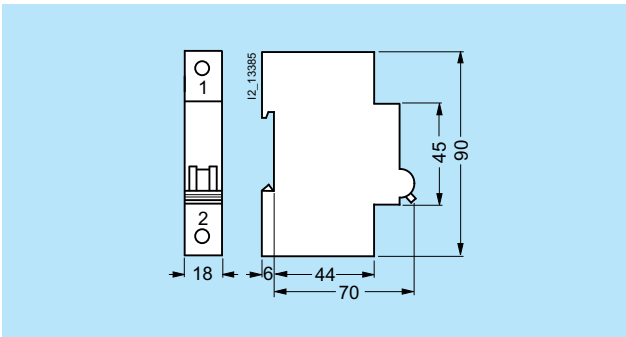


5ST3 030-0HG 5ST3 031-0HG

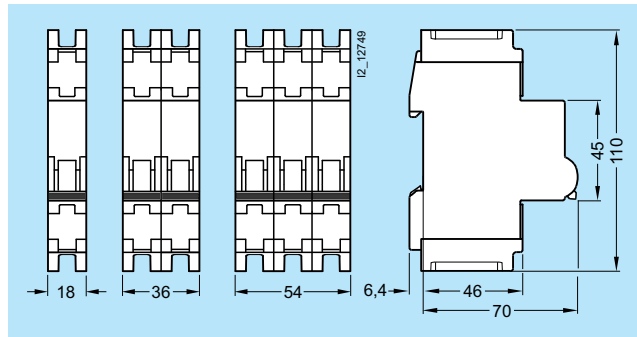
Control Circuit Protection

General Data

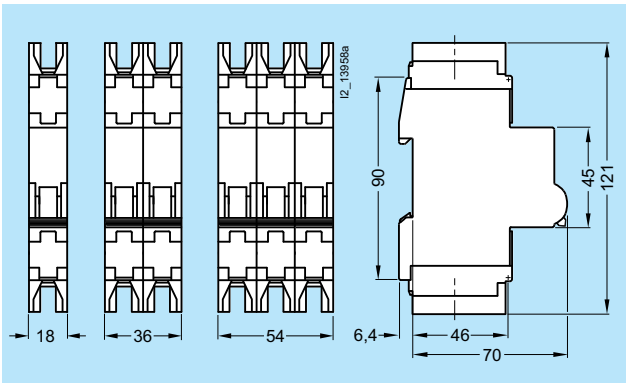
Dimensions



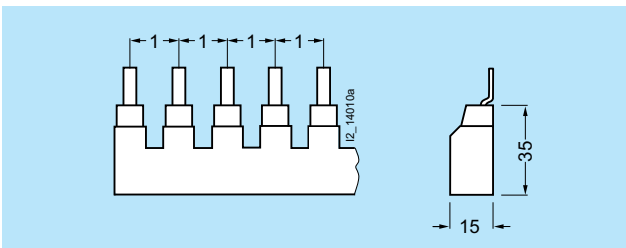
5SJ4...-HG40



5SJ4...-HG41



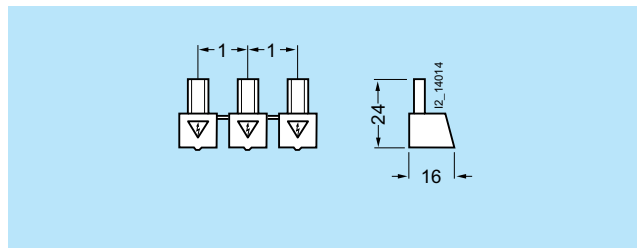
5SJ4...-HG42



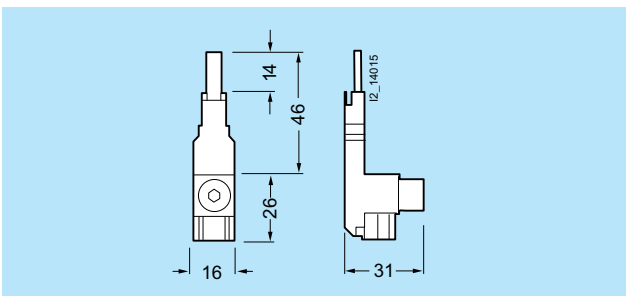
5ST3 663-0HG
5ST3 663-1HG
5ST3 663-2HG

5ST3 664-0HG
5ST3 664-1HG
5ST3 664-2HG

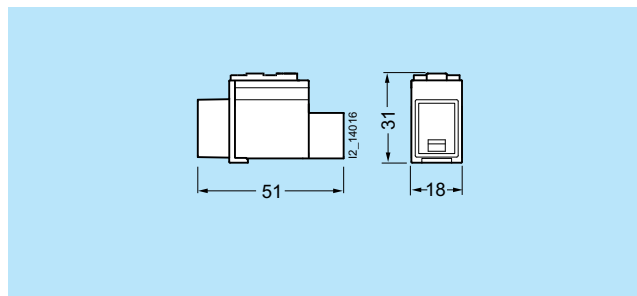
5ST3 665-0HG
5ST3 665-1HG
5ST3 665-2HG



5ST3 666-1HG



5ST3 666-0HG



5ST3 666-2HG