

Heavy Duty Safety Switch with Viewing Window

Type VBII, 30 Amp, Type 12 Industrial & Type 4/4X Stainless Steel

Standards and Ratings

- UL Listed under file #E4776
- Meets UL98 for switches and UL 50 for enclosures
- Meets NEMA Standard KS-1 for enclosed switches
- Meets NEC wire bending space requirements
- Rated 10,000 AIC with Class H fuses or 200,000 AIC with Class R and J fuses
- I²t rated (Amps² x Seconds = 50,000)
- 12X overload current rating exceeds 10X industry standard
- Suitable for use as service entrance equipment

Features

- Quick-make and break switching action
- Double break visible blade design
- Highly visible ON/OFF indication
- Window permits viewing of both visible blades and indicating type fuses
- Rugged installer friendly enclosure design
- Modular design allows quick and easy replacement of parts
- Front removable lugs which can easily be converted to copper body or compression type lugs
- Defeatable dual cover interlock

General Information

| Catalog Number | Volts | Description | Shipping Weight (lbs.) |
|--|-------|-----------------------------|------------------------|
| Type 12 Industrial ¹ | | | |
| HF361JW | 600 | 3 Pole, 3 Wire, Fusible | 17 |
| HNF361JW | 600 | 3 Pole, 3 Wire, Non-Fusible | 14 |
| Type 4/4X Stainless Steel | | | |
| HF361SW | 600 | 3 Pole, 3 Wire, Fusible | 17 |
| HF361SSW ⁶ | 600 | 3 Pole, 3 Wire, Fusible | 17 |
| HNF361SW | 600 | 3 Pole, 3 Wire, Non-Fusible | 15 |
| HNF361SSW ⁶ | 600 | 3 Pole, 3 Wire, Non-Fusible | 15 |

Horsepower Ratings^{2 3 4} - 600 Volts

| Catalog Number | 3 Phase, 480V AC | | 3 Phase, 600V AC | | 250V DC |
|----------------------|------------------|-----------------|------------------|-----|---------|
| | Std | Max | Std | Max | |
| HF361JW | 5 | 15 | 7½ | 20 | — |
| HF361SW & HF361SSW | 5 | 15 | 7½ | 20 | — |
| HNF361JW | — | 20 ⁵ | — | 30 | — |
| HNF361SW & HNF361SSW | — | 20 ⁵ | — | 30 | — |

Mechanical Lug Wire Ranges (60/75°C, Cu/Al)

| Description | Wire Range |
|-------------|-------------------|
| Line, Load | #12-6 AWG (Al) or |
| Neutral | #14-6 AWG (Cu) |
| Ground | #14-4 AWG |

¹ Also rated 3R/3S for outdoor use.

² Dual horsepower ratings: Std - applies when non-time delay fuses are installed. Max - applies when time-delay fuses are installed.

³ Horsepower ratings listed also apply to Design E motors with no derating.

⁴ Also rated 5HP at 250V DC.

⁵ Also rated 10HP on 3 phase, 240V AC systems.

⁶ The enclosure of catalog number HF361SSW and HNF361SSW is constructed from 316 grade stainless steel.

Product Specification Sheet HD30.9

Answers for industry.

SIEMENS

Product Specification Sheet #HD30.9 (page 2 of 2)

Accessories

| Catalog Number | Description |
|----------------|---|
| HA161234 | One Normally Open and Closed Auxiliary Switches |
| HA261234 | Two Normally Open and Closed Auxiliary Switches |
| HA361234 | Low Voltage Auxiliary Switch |
| HG61234 | Equipment Ground Lug Kit (Factory installed) |
| HG261234 | Isolated Equipment Ground Lug Kit |
| HP61 | Fuse Puller (3 per kit) |
| HN612 | Neutral Kit |
| HR612 | 600 Volt Class R Fuse Clip Kit (3 fuse clips per kit) |
| HLC612 | Copper Lug Kit (9 lugs per kit) |
| HCL612 | Compression Lug Neutral Barrier Kit |
| SSH100 | 1.00" Type 12 and 4X Hub |

Replacement Parts

| Catalog Number | Description |
|----------------|---|
| HFB612 | Fusible Line Side Replacement Base (HF361JW, HF361SW) |
| HBB612 | Fusible Load Side Replacement Base (HF361JW, HF361SW) |
| HNB612 | Non-Fusible Line Side Replacement Base (HNF361JW, HNF361SW) |
| HH6123 | Replacement Handle/Handle Guard (HH6123S for Type 4X) |
| HL612 | Replacement Lug (3 lugs per kit) |
| HM6123 | Replacement Mechanism (HM6123S for Type 4X) |
| 1 | Replacement Door |

Compression Lugs ²

| Wire Size | Burdndy | | Thomas-Betts | | Ilsco | |
|-----------|---------------------------|-------|----------------|-------------------------|---------|----------------|
| | CU Only | CU/AL | CU Only | CU/AL | CU Only | CU/AL |
| #14-10 | | | | 60096 60097 | | |
| #8 | YA8C-L BOX YA8C-L1 BOX | | 54104 54130 | 60101 60102 61102 | CRA-8 | ACL-8 ACN-8 |
| #6 | | | | 61107 | | |

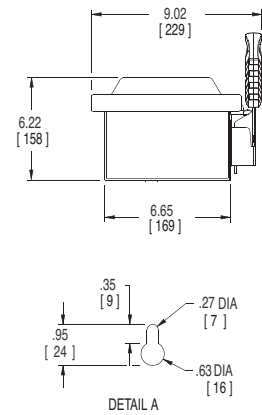
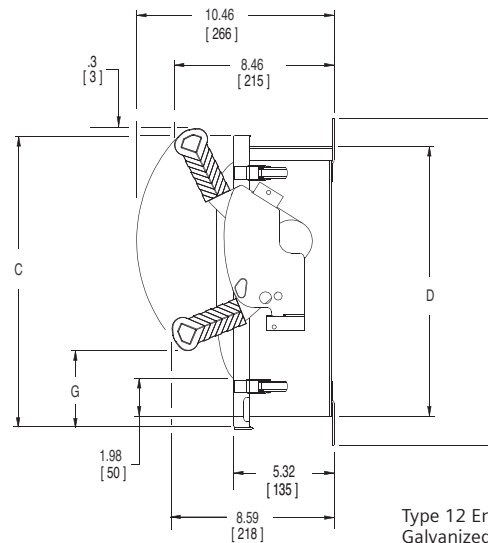
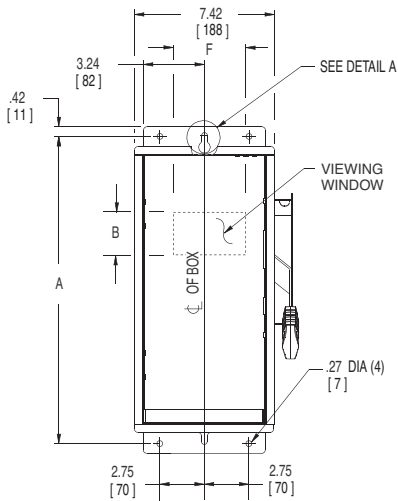
1 Place "DOOR" at the end of the switch catalog number.

2 If compression lugs are used for the neutral, order compression lug neutral barrier kit HCL612.

Dimension Drawing

Dimensions Inches (mm)

| Cat. No. | A | B | C | D | E | F | G |
|----------|----------------|--------------|----------------|----------------|----------------|--------------|---------------|
| HF361JW | 16.46 (418) | 3.00 (76) | 15.45 (393) | 14.27 (362) | 17.31 (440) | 3.53 (90) | 4.07 (103) |
| HNF361JW | 13.33 (338) | 1.75 (44) | 12.31 (313) | 11.12 (282) | 14.16 (360) | 3.53 (90) | .92 (23) |



Type 12 Enclosure:
Galvanized Steel
.054 Thick (17 Gauge)
Finish: ANSI Grey #61 Paint
HF361SW & HNF361SSW
Type 4X Enclosure: 304
Stainless Steel
.055 Thick (17 Gauge)

HF361SSW & HNF361SSW
Type 4X Enclosure: 316
Stainless Steel
.055 Thick (17 Gauge)

No knockouts in the enclosure.
Dimensions shown in inches and millimeters ().
Dimension shown accurate to ± 1/8 inch.

| | LINE SIDE WIRE BEND | LOAD SIDE WIRE BEND |
|------|------------------------|------------------------|
| 600V | 3.02 (77) | 2.61 (66) |