

# Heavy Duty 6 Pole Safety Switch

## Fusible, Type VBII, 30 - 200 Amp, Type 12 Galvanized Steel and 4X Stainless Steel

### Standards and Ratings

- UL Listed under file #E4776
- Meets UL98 for switches and UL 50 for enclosures
- Meets NEMA Standard KS-1 for enclosed switches (Type HD)
- Meets NEC wire bending space requirements
- Rated 10,000 AIC with Class H or 200,000 AIC with Class R, J or T fuses (fuse ampere rating must not exceed switch ampere rating)
- Suitable for use as Service Equipment

### Features

- Quick-make and break switching action
- Visible blade, double break construction
- Highly visible ON/OFF indication
- Modular design allows quick and easy replacement of parts
- Front removable lugs which can easily be converted to copper body or compression type lugs
- Defeatable dual cover interlock
- All copper current carrying parts <sup>1</sup>
- Handle is padlockable in OFF position
- Type 12 switches are also rated Type 3R/3S for outdoor use

### General Information

Catalog Number	Amps	Max AC Volts	Description	Shipping Weight (lbs.)
<b>6 Pole, Type 12 (also rated Type 3R/3S) <sup>2</sup></b>				
HF661J	30	600	Fusible, 6 Pole, 6 Wire	37
HF662J	60			41
HF663J	100			44
HF664J	200			90
<b>6 Pole, Type 4X Stainless Steel <sup>2</sup></b>				
HF661S	30	600	Fusible, 6 Pole, 6 Wire	37
HF662S	60			41
HF663S	100			44
HF664S	200			90

### Horsepower Ratings

Catalog Number	240V 2 Ø, 4W Std	240V 2 Ø, 4W Max	240V 3 Ø Std	240V 3 Ø Max	480V 3 Ø Std	480V 3 Ø Max	600V 3 Ø Std	600V 3 Ø Max	250V DC
<b>6 Pole, Fusible Switches <sup>3</sup></b>									
HF661J, HF661S	—	—	3	7½	5	15	7½	20	5
HF662J, HF662S	—	—	7½	15	15	30	15	50	10
HF663J, HF663S	—	—	15	30	25	60	30	75	20
HF664J, HF664S	—	—	25	60	50	125	60	150	40

<sup>1</sup> Lugs are aluminum alloy as standard. Optional copper body lugs are available.

<sup>2</sup> Fusible switch accepts Class H fuses as standard or Class R or T (100 and 200A) with kits. Class J fuses can also mount by moving load bases.

<sup>3</sup> Dual horsepower ratings: Std - applies when non-time delay fuses are installed. Max - applies when time-delay fuses are installed.

## Product Specification Sheet HD30.19

Answers for industry.

**SIEMENS**

# Product Specification Sheet #HD30.19 (page 2 of 3)

## Accessories

Catalog Number	Description
HA161234	Auxiliary Switch (1-NO & 1 NC)
HA261234	Auxiliary Switch (2-NO & 2 NC)
HA361234	Low Voltage Auxiliary Switch
HG61234	Equipment Ground Lug Kit (Factory Installed)
HG261234	Isolated Equipment Ground Lug Kit
HR612	30A Class R Fuse Clip Kit (2) req'd/switch
HR62	60A Class R Fuse Clip Kit (2) req'd/switch
HR63	100A Class R Fuse Clip Kit (2) req'd/switch
HR64	200A Class R Fuse Clip Kit (2) req'd/switch
HT63	100A Class T Adapter Kit (1) req'd/pole
HT64	200A Class T Adapter Kit (1) req'd/pole
HP61	30A Fuse Puller Kit (2) req'd/switch
HP62	60A Fuse Puller Kit (2) req'd/switch
HP63	100A Fuse Puller Kit (2) req'd/switch
HN612	30A Neutral Kit
HN623	60 and 100A Neutral Kit
HN64	200A Neutral Kit
HN263	100A 200% Neutral Kit
HN264	200A 200% Neutral Kit
HLC612	30-60A Copper Lug Kit (9) lugs per kit
HLC63	100A Copper Lug Kit (9) lugs per kit <sup>1</sup>
HLC64	200A Copper Lug Kit (9) lugs per kit
HCL612	30A Compression Lug Neutral Barrier Kit
HCL62	60-100A Compression Lug Neutral Barrier Kit
SSH100	1.00" Type 12 and 4X Hub
SSH150	1.50" Type 12 and 4X Hub
SSH200	2.00" Type 12 and 4X Hub

<sup>1</sup> Dual horsepower ratings: Std - applies when non-time delay fuses are installed.

Max - applies when time-delay fuses are installed.

<sup>2</sup> (2) required per switch.

<sup>3</sup> HH461234S for stainless Type 4X switches.

<sup>4</sup> Catalog number is same as switch catalog number plus "DOOR" suffix.

## Replacement Parts

Catalog Number	Description
HFB612	30A Replacement Fusible Line Base <sup>2</sup>
HFB62	60A Replacement Fusible Line Base <sup>2</sup>
HFB63	100A Replacement Fusible Line Base <sup>2</sup>
HFB64	200A Replacement Fusible Line Base <sup>2</sup>
HBB612	30A Replacement Load Base <sup>2</sup>
HBB62	60A Replacement Load Base <sup>2</sup>
HBB63	100A Replacement Load Base <sup>2</sup>
HBB64	200A Replacement Load Base <sup>2</sup>
HH461234 <sup>3</sup>	30-200A Replacement Handle and Guard
HM6123	30-100A Replacement Mechanism <sup>2</sup>
HM624	200A Replacement Mechanism <sup>2</sup>
HL612	30-60A Replacement Lugs (3) per kit
HL63	100A Replacement Lugs (3) per kit
HL64	200A Replacement Lugs (3) per kit
<sup>4</sup>	Replacement Door

## Mechanical Lug Wire Ranges (60/75°C, Cu/Al)

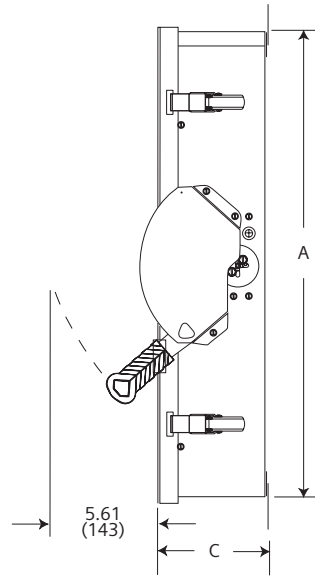
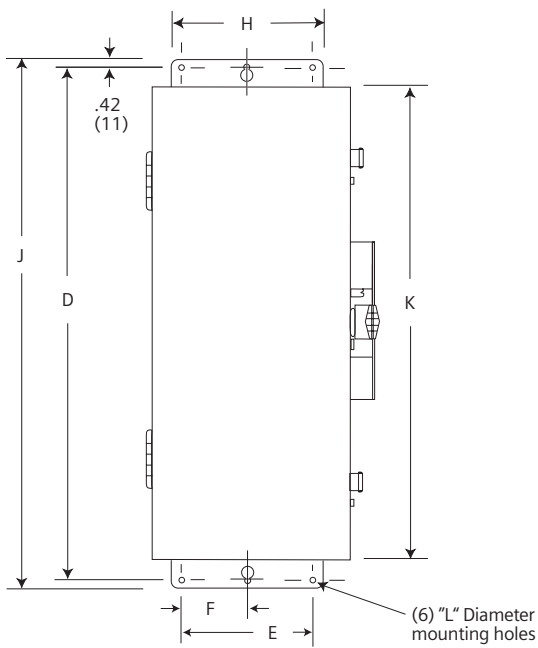
Description	Wire Range
30A Line, Load & Neutral	#12-6 AWG (Al), #14-6 (Cu)
60A Line, Load & Neutral	#12-2 AWG
100A Line, Load & Neutral	#14-1/0 AWG
200A Line, Load & Neutral	#6-250 kcmil
30-200A Ground	#14-4 AWG

## Compression Lugs (UL listed for field installation)

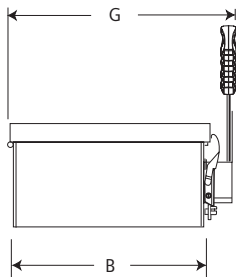
Wire Size	Burdndy		Thomas-Betts		IIsco	
	CU Only	CU/AL	CU Only	CU/AL	CU Only	CU/AL
30A						
#14-10				60096 60097		
#8	YA8C-L BOX YA8C-L1 BOX		54104 54130	60101 60102 61102	CRA-8	ACL-8 ACN-8
60A						
#6	YA6C-L BOX YA6C	YA6CA1	54105 54905BE	60107 61107	CRB-6 CRB-6L	ACL-6
#4			54106	61112	CRB-4	
100A						
#2	YA2C-L2 BOX YA2C	YA2CA5	54107	61116	CRB-2 CRB-2L	ACL-2
#1	YA1C-L2 YA1C		54108 54947BE	61122	CRB-1-14 CRA-1L	
200A						
3/0	YA27-L3 YA27	YA27A1	54163-TB	60141 61142	CRC-3/0 CRB-3/0L	IACL-3/0 ACL-3/0
4/0	YA28-L3 YA28-TC38	YA28A1	54168 256-30695-1253	61148 60147	CRC-4/0 CRB-4/0L	IACL-4/0 ACL-4/0
250 Kcmil	YA29-L7		54173 54913BE	61156	CRA-250	

# Product Specification Sheet #HD30.19 (page 3 of 3)

## Dimension Drawing



Ampere Rating	Wire Bending Space	
	Top	Bottom
30A	4.71	4.71
60A	4.87	4.87
100A	6.09	6.09
200A	7.47	7.47



Dimensions shown in inches and millimeters ( ).  
Dimension shown accurate to  $\pm \frac{1}{8}$  inch.

Type 4X Enclosure: (brushed finish)  
30-100A – .053 Thick (17 Gauge)  
Type 304 Stainless Steel  
200A – .060 Thick (16 Gauge)  
Type 304 Stainless Steel

Type 12 Enclosure:  
30-100A – .053 Thick (17 Gauge)  
Galvanized Steel  
200A – .060 Thick (16 Gauge)  
Galvanized Steel  
ANSI Grey #61 Finish

### Dimensions Inches (mm)

Catalog Number	A	B	C	D	E	F	G	H	J	K	L
HF661J	29.06 (738)	9.65 (245)	6.48 (165)	31.29 (795)	5.48 (139)	2.74 (70)	11.64 (296)	6.47 (164)	32.13 (816)	29.62 (752)	.266 (7)
HF662J	33.48 (850)	11.61 (295)	6.48 (165)	35.71 (907)	8.00 (203)	4.00 (102)	13.60 (345)	8.99 (228)	36.55 (928)	34.19 (868)	.266 (7)
HF663J	36.45 (926)	12.29 (312)	6.48 (165)	38.58 (980)	8.48 (215)	4.24 (108)	14.28 (363)	9.47 (241)	39.42 (1001)	36.90 (937)	.266 (7)
HF664J	49.41 (1255)	19.24 (489)	6.78 (172)	51.64 (1312)	13.44 (341)	6.72 (171)	21.24 (539)	14.44 (367)	52.48 (1333)	50.13 (1273)	.328 (8)
HF661S	29.06 (738)	9.65 (245)	6.48 (165)	31.29 (795)	5.48 (139)	2.74 (70)	11.64 (296)	6.47 (164)	32.13 (816)	29.62 (752)	.266 (7)
HF662S	33.48 (850)	11.61 (295)	6.48 (165)	35.71 (907)	8.00 (203)	4.00 (102)	13.60 (345)	8.99 (228)	36.55 (928)	34.19 (868)	.266 (7)
HF663S	36.45 (926)	12.29 (312)	6.48 (165)	38.58 (980)	8.48 (215)	4.24 (108)	14.28 (363)	9.47 (241)	39.42 (1001)	36.90 (927)	.266 (7)
HF664S	49.41 (1255)	19.24 (489)	6.78 (172)	51.64 (1312)	13.44 (341)	6.72 (171)	21.24 (539)	14.44 (367)	52.48 (1333)	50.13 (1273)	.328 (8)