

Heavy Duty 4 Pole Safety Switch

Type VBII, 30 Amp, Type 1 (Indoor)

Standards and Ratings

- UL Listed under file #E4776
- Meets UL98 for switches and UL50 for enclosures
- Meets NEMA Standard KS-1 for enclosed switches (Type HD)
- Meets NEC wire bending space requirements
- Suitable for use as Service Equipment
- Rated 10,000 AIC with Class H or 200,000 AIC when used with or protected by Class R or J fuses (fuse ampere rating must not exceed switch ampere rating)

Features

- Quick-make and break switching action
- Visible blade, double break construction
- Highly visible ON/OFF indication
- Modular design allows quick and easy replacement of parts
- Front removable lugs which can easily be converted to copper body or compression type lugs
- Defeatable dual cover interlock
- All copper current carrying parts ¹
- Tangential knockouts
- Handle is padlockable in OFF position

General Information

Catalog Number	Max AC Volts	Description	Shipping Weight (lbs)
HF461 ²	600	Fusible, 4 Pole, 4 Wire	36
HNF461		Non-fusible, 4 Pole, 4 Wire	32

Horsepower Ratings ³

Catalog Number	240V 1Ø		240V 3Ø		480V 3Ø		600V 3Ø		250V DC	
	Std	Max	Std	Max	Std	Max	Std	Max	Std	Max
HF461	3	10	3	7½	5	15	7½	20	5	
HNF461	—	10	—	10	—	20	—	30	5	

Accessories

Catalog Number	Description
HA161234	Auxiliary Switch (1-NO & 1 NC)
HA261234	Auxiliary Switch (2-NO & 2 NC)
HA361234	Low Voltage Auxiliary Switch
HG61234	Equipment Ground Lug Kit (factory installed)
HG261234	Isolated Equipment Ground Lug Kit
HP61	Fuse Puller (3 per kit, (2) kits required per switch)
HN612	Neutral Kit
HR612	600 Volt Class R Fuse Clip Kit (3 fuse clips per kit, (2) kits required per switch)
HLC612	Copper Lug Kit (9 lugs per kit)
HCL612	Compression Lug Neutral Barrier Kit

Replacement Parts

Catalog Number	Description
HNB612	Non-Fusible Replacement Base
HH6123	Replacement Handle/Handle Guard
HL612	Replacement Lugs (3 lugs per kit)
HM6123	Replacement Mechanism
4	Replacement Door

Mechanical Lug Wire Ranges (60/75°C, Cu/Al)

Description	Wire Range
Line, Load	#12-6 AWG (Al) or
Neutral	#14-6 AWG (Cu)
Ground	#14-4 AWG

¹ Lugs are aluminum alloy as standard. Optional copper body lugs are available.

² Fusible switches accept: Class H fuses as standard or Class R fuses with kit. Also accepts Class J fuses (move load base).

³ Dual horsepower ratings: Std - applies when non-time delay fuses are installed.

Max - applies when time-delay fuses are installed.

⁴ Catalog number is same as switch catalog number plus "DOOR" suffix.

Product Specification Sheet HD30.16

Answers for industry.

SIEMENS

Product Specification Sheet #HD30.16 (page 2 of 2)

Compression Lugs (UL listed for field installation) ¹

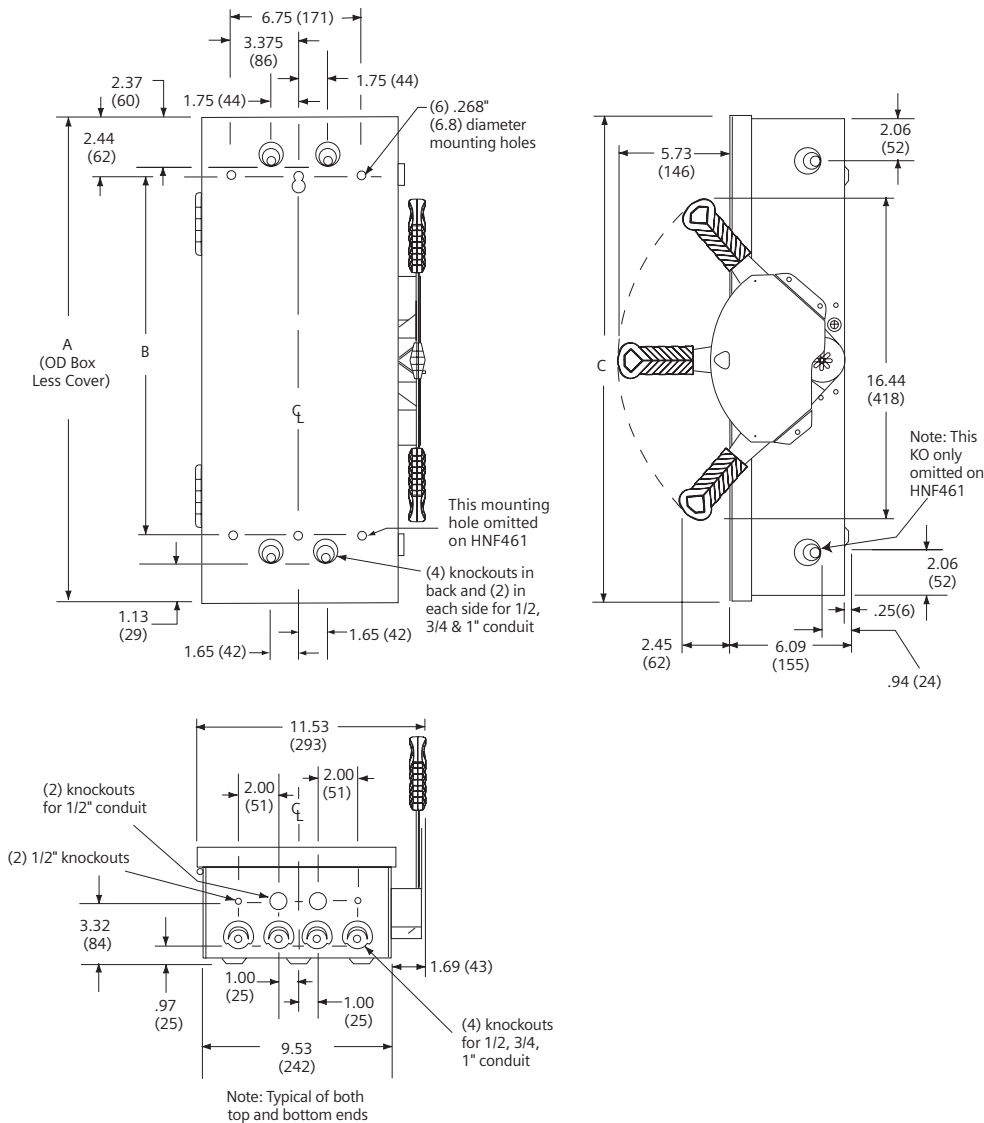
Wire Size	Burdny		Thomas-Betts		IlSCO	
	CU Only	CU/AL	CU Only	CU/AL	CU Only	CU/AL
#14-10				60096 60097		
#8	YA8C-L BOX YA8C-L1 BOX		54104 54130	60101 60102 61102	CRA-8	ACL-8 ACN-8
#6				61107		

Dimensions and Wire Bending Space

Catalog Number	Dimensions			Wire Bending Space	
	A	B	C	Top	Bottom
HNF461	24.50 (622)	19.00 (483)	24.98 (634)	4.75	4.75
HF461	29.14 (740)	23.50 (597)	29.63 (753)	4.75	4.75

¹ If compression lugs are used for the neutral, order compression lug neutral barrier kit HCL612.

Dimension Drawing



Dimensions shown in inches and millimeters ().
Dimension shown accurate to ± 1/8 inch.

Enclosure: Cold Rolled Steel .053 Thick (17 Gauge)
Finish – ANSI Grey #61 Paint