

Heavy Duty Safety Switch

Type VBII, 30 Amp, Type 4/4X (Stainless Steel)

Standards and Ratings

- UL Listed under file #E4776
- Meets UL98 for switches and UL 50 for enclosures
- Meets NEMA Standard KS-1 for enclosed switches
- Meets NEC wire bending space requirements
- Rated 10,000 AIC as standard or 200,000 AIC when protected by Class R, T or J fuses rated 30 amp maximum
- I²t rated (Amps² x Seconds = 50,000)
- 12X overload current rating exceeds 10X industry standard

- Suitable for use as service entrance equipment

Features

- Quick-make and break switching action
- Double break visible blade design
- Highly visible ON/OFF indication
- Rugged installer friendly enclosure design
- Modular design allows quick and easy replacement of parts
- Front removable lugs which can easily be converted to copper body or compression type lugs
- Defeatable dual cover interlock

General Information

Catalog Number	Volts	Description	Shipping Weight (lbs.)
HNF261S	600	2 Pole, 2 Wire, Non-Fusible	13
HNF361S	600	3 Pole, 3 Wire, Non-Fusible	13
HNF361SS ⁶	600	3 Pole, 3 Wire, Non-Fusible	13

Horsepower Ratings^{1 2 3} - 600 Volts

Catalog Number	3 Phase, 480V AC		3 Phase, 600V AC		600V DC
	Std	Max	Std	Max	
HNF261S	—	— ⁴	—	— ⁴	15
HNF361S	—	20 ⁴	—	30	—
HNF361SS ⁶	—	20 ⁴	—	30	—

Accessories

Catalog Number	Description
HA161234	One Normally Open and Closed Auxiliary Switches
HA261234	Two Normally Open and Closed Auxiliary Switches
HA361234	Low Voltage Auxiliary Switch
HG61234	Equipment Ground Lug Kit
HG261234	Isolated Equipment Ground Lug Kit
HN612	Neutral Kit
HLC612	Copper Lug Kit (9 lugs per kit)
HCL612	Compression Lug Neutral Barrier Kit
SSH075	0.75" Type 4/4X Hub
SSH100	1.00" Type 4/4X Hub

¹ Dual horsepower ratings: Std - applies when non-time delay fuses are installed. Max - applies when time-delay fuses are installed.

² Horsepower ratings listed also apply to Design E motors through 15HP at 480V and 20HP at 600V with no derating.

³ Also rated 5HP at 250V DC.

⁴ Also rated 7 1/2 HP at 480V, 1 phase and 10HP at 600V, 1 phase.

⁵ Also rated 10HP on 3 Phase, 240V AC systems.

⁶ The enclosure of catalog number HNF361SS is constructed from 316 grade stainless steel.

Product Specification Sheet HD30.7

Answers for industry.

SIEMENS

Product Specification Sheet #HD30.7 (page 2 of 2)

Replacement Parts

Catalog Number	Description
HNB612	Non-Fusible Replacement Base
HH6123S	Replacement Handle/Handle Guard
HL612	Replacement Lugs (3 lugs per kit)
HM6123S	Replacement Mechanism
1	Replacement Door

Mechanical Lug Wire Ranges (60/75°C, Cu/Al)

Description	Wire Range
Line, Load	#12-6 AWG (Al) or #14-6 AWG (Cu)
Neutral	#14-4 AWG
Ground	#14-4 AWG

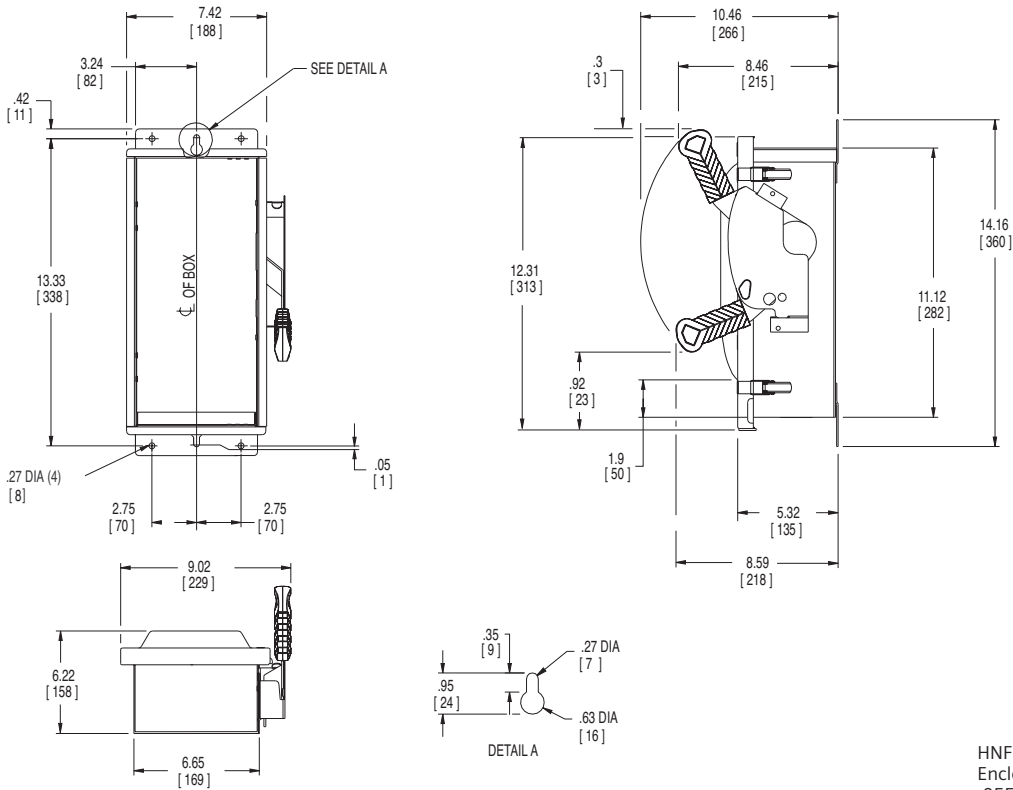
Compression Lugs ²

Wire Size	Burdny		Thomas-Betts		IlSCO	
	CU Only	CU/AL	CU Only	CU/AL	CU Only	CU/AL
#14-10				60096 60097		
#8	YA8C-L BOX YA8C-L1 BOX		54104 54130	60101 60102 61102	CRA-8	ACL-8 ACN-8
#6				61107		

1 Place "DOOR" at the end of the switch catalog number.

2 If compression lugs are used for the neutral, order compression lug neutral barrier kit HCL612.

Dimension Drawing



No knockouts in the enclosures.
Dimensions shown in inches and millimeters ().
Dimension shown accurate to $\pm \frac{1}{16}$ inch.

	LINE SIDE WIRE BEND	LOAD SIDE WIRE BEND
Non-Fused	3.02 (77)	4.11 (104)

HNF261S & HNF361S
Enclosure: 304 Stainless Steel
.055 Thick (17 Gauge)

HNF361SS
Enclosure: 316 Stainless Steel
.055 Thick (17 Gauge)