

Heavy Duty Safety Switch

Type VBII, 30 Amp, Type 3R (Outdoor)

Standards and Ratings

- UL Listed under file #E4776
- Meets UL98 for switches and UL 50 for enclosures
- Meets NEMA Standard KS-1 for enclosed switches
- Meets NEC wire bending space requirements
- Rated 10,000 AIC with Class H fuses or 200,000 AIC with Class R and J fuses
- Rated 100,000 AIC at 600Vdc with Class R or J fuses
- I²t rated (Amps² x Seconds = 50,000)
- 12X overload current rating exceeds 10X industry standard

- Suitable for use as service entrance equipment

Features

- Quick-make and break switching action
- Double break visible blade design
- Highly visible ON/OFF indication
- Rugged installer friendly enclosure design
- Modular design allows quick and easy replacement of parts
- Front removable lugs which can easily be converted to copper body or compression type lugs
- Defeatable dual cover interlock

General Information

Catalog Number	Volts	Description	Shipping Weight (lbs.)
HF221NR ¹	240	2 Pole, 3 Wire, Fusible	13
HF321NR	240	3 Pole, 4 Wire, Fusible	15
HF261R	600	2 Pole, 2 Wire, Fusible	15
HF361R	600	3 Pole, 3 Wire, Fusible	15
HF361NR	600	3 Pole, 4 Wire, Fusible	15

Horsepower Ratings ^{2 3} - 600 Volts

Catalog Number	1 Phase, 240V AC		3 Phase, 240V AC		250V DC
	Std	Max	Std	Max	
HF221NR	1½	3	3	7½	15
HF321NR	1½	3	3	7½	15

Horsepower Ratings ^{2 3 4} - 600 Volts

Catalog Number	1 Phase, 480V AC		3 Phase, 600V AC		600V DC
	Std	Max ⁵	Std	Max ⁵	
HF261R	—	— ⁵	—	— ⁵	15
HF361R	5	15	7 ½	20	—
HF361NR	5	15	7 ½	20	—

Mechanical Lug Wire Ranges (60/75°C, Cu/Al)

Description	Wire Range
Line, Load	#12-6 AWG (Al) or
Neutral	#14-6 AWG (Cu)
Ground	#14-4 AWG

¹ These switches are UL Listed for application on grounded B phase systems.

² Dual horsepower ratings: Std - applies when non-time delay fuses are installed.

Max - applies when time-delay fuses are installed.

³ Horsepower ratings listed also apply to Design E motors with no derating.

⁴ Also rated 5HP at 250V DC.

⁵ Also rated 7 ½ HP at 480V, 1 phase and 10HP at 600V, 1 phase.

Product Specification Sheet HD30.5

Answers for industry.

SIEMENS

Product Specification Sheet #HD30.5 (page 2 of 2)

Accessories

Catalog Number	Description
HA161234	One Normally Open and Closed Auxiliary Switches
HA261234	Two Normally Open and Closed Auxiliary Switches
HA361234	Low Voltage Auxiliary Switch
HG61234	Equipment Ground Lug Kit
HG261234	Isolated Equipment Ground Lug Kit
HP61	Fuse Puller (3 per kit)
HN612	Neutral Kit
HR21	240 Volt Class R Fuse Clip Kit (3 fuse clips per kit) (HF221NR, HF321NR)
HR612	600 Volt Class R Fuse Clip Kit (3 fuse clips per kit) (HF261R, HF361R, HF361NR)
HLC612	Copper Lug Kit (9 lugs per kit)
HCL612	Compression Lug Neutral Barrier Kit
HS075	0.75" Type "HS" Outdoor Hub
HS100	1.00" Type "HS" Outdoor Hub

Replacement Parts

Catalog Number	Description
HFB21	240 Volt Line Side Replacement Base (HF221NR, HF321NR)
HBB21	240 Volt Load Side Replacement Base (HF221NR, HF321NR)
HFB612	600 Volt Line Side Replacement Base (HF261R, HF361R, HF361NR)
HBB612	600 Volt Load Side Replacement Base (HF261R, HF361R, HF361NR)
HH6123	Replacement Handle/Handle Guard
HL612	Replacement Lugs (3 lugs per kit)
HM6123	Replacement Mechanism
1	Replacement Door

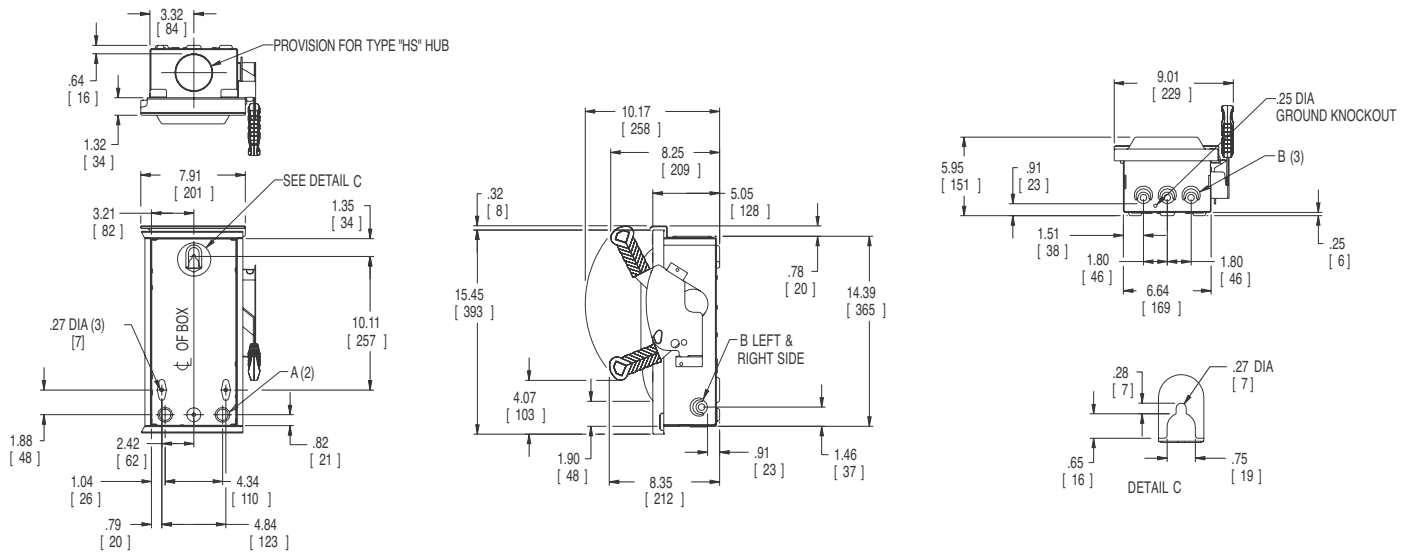
Compression Lugs ²

Wire Size	Burndy		Thomas-Betts		IlSCO	
	CU Only	CU/AL	CU Only	CU/AL	CU Only	CU/AL
#14-10				60096 60097		
#8	YA8C-L BOX YA8C-L1 BOX		54104 54130	60101 60102 61102	CRA-8	ACL-8 ACN-8
#6				61107		

1 Place "DOOR" at the end of the switch catalog number.

2 If compression lugs are used for the neutral, order compression lug neutral barrier kit HCL612.

Dimension Drawing



Dimensions shown in inches and millimeters ().
Dimension shown accurate to ± 1/8 inch.

KNOCKOUT CODE	CONDUIT SIZE			LINE SIDE WIRE BEND	LOAD SIDE WIRE BEND
	A (Concentric)	.75	1.00		
B (Tangential)	.50	.75	1.00	240V fused 3.02 (77)	5.36 (136)
				600V fused 3.02 (77)	2.61 (66)

Enclosure: Galvanized Steel
.054 Thick (17 Gauge)
Finish: ANSI Grey #61 Paint