

# Heavy Duty Safety Switch

## Type VBII, 30 Amp, Type 4X with Non-Metallic Enclosure

### Standards and Ratings

- UL Listed under file #E4776
- Meets UL98 for switches and UL50 for enclosures
- Meets NEMA Standard KS-1 for enclosed switches (Type HD)
- Meets NEC wire bending space requirements
- Rated 10,000 AIC with Class H Fuses or 200,000 AIC with Class R or J Fuses
- Quick make and break mechanism
- Visible blade double break construction
- Voidable dual cover interlock
- Suitable for use as Service Equipment
- Non-metallic 4X Enclosure

### General Information

Amp Rating	Catalog Number	Shipping Wt. (lbs.) (Std Pkg)	Horsepower Ratings <sup>1</sup>						HP Rating 250VDC
			3 Phase, 240V AC		3 Phase, 480V AC		3 Phase, 600V AC		
			Std	Max	Std	Max	Std	Max	
<b>240 Volt AC, 250 Volt DC Max Fusible - 3 Pole, 4 Wire</b>									
30	HF321NX	21 (1)	3	7½	—	—	—	—	5 (Max)
<b>600V AC, 250V DC Max Fusible - 3 Pole, 4 Wire</b>									
30	HF361NX	21 (1)	3	7½	5	15	7½	20	5 (Max)
30	HF361NXL <sup>2</sup>	21 (1)	3	7½	5	15	7½	20	5 (Max)
<b>600V AC, 250V DC Max Non-Fusible - 3 Pole, 3 Wire</b>									
30	HNF361X <sup>3</sup>	20 (1)	—	10	—	20	—	30	5 (Max)
30	HNF361XL <sup>2</sup>	20 (1)	—	10	—	20	—	30	5 (Max)

### Accessories

Catalog Number	Description
HN612 <sup>4</sup>	600 Volt Neutral Kit
HR21	30 Amp, 240 Volt, Class R Fuse Clip Kit
HR612	30 Amp, 600 Volt, Class R Fuse Clip Kit
HG61234 <sup>5</sup>	Equipment Ground Kit (2 pc. Wire Range #14-4 AWG Cu/Al)
HA161234	Auxiliary Switch (1-NO & 1 NC)
HA261234	Auxiliary Switch (2-NO & 2 NC)
HA361234	PLC Auxiliary Switch with 1-NO & 1-NC Gold Plated Contacts
HLC612	Copper Body Lug Kit (#14-6)
SSH075	0.75" Type 4, 4X Hub
SSH100	1.00" Type 4, 4X Hub
SSH125	1.25" Type 4, 4X Hub
HNB612	Replacement NF Line Base
HFB21	Replacement Base (Line Side) Fusible 240V
HFB612	Replacement Base (Line Side) Fusible 600V
HBB21	Replacement Base (Load Side) 240V
HBB612	Replacement Base (Load Side) 600V

<sup>1</sup> Dual horse ratings

Std - applies when non-time delay fuses are installed. Max - applies when time-delay fuses are installed.

<sup>2</sup> Line and load lugs are omitted. Provided with mounting hardware for crimp type or copper body lugs.

<sup>3</sup> Suitable for use as Service Entrance Equipment. Order and install field addable groundable neutral kit.

<sup>4</sup> Factory installed as standard on fusible switches.

<sup>5</sup> Factory installed as standard.

## Product Specification Sheet HD30.12

Answers for industry.

**SIEMENS**

# Product Specification Sheet #HD30.12 (page 2 of 2)

## Mechanical Lug Wire Ranges (60/75°C, Cu/Al)

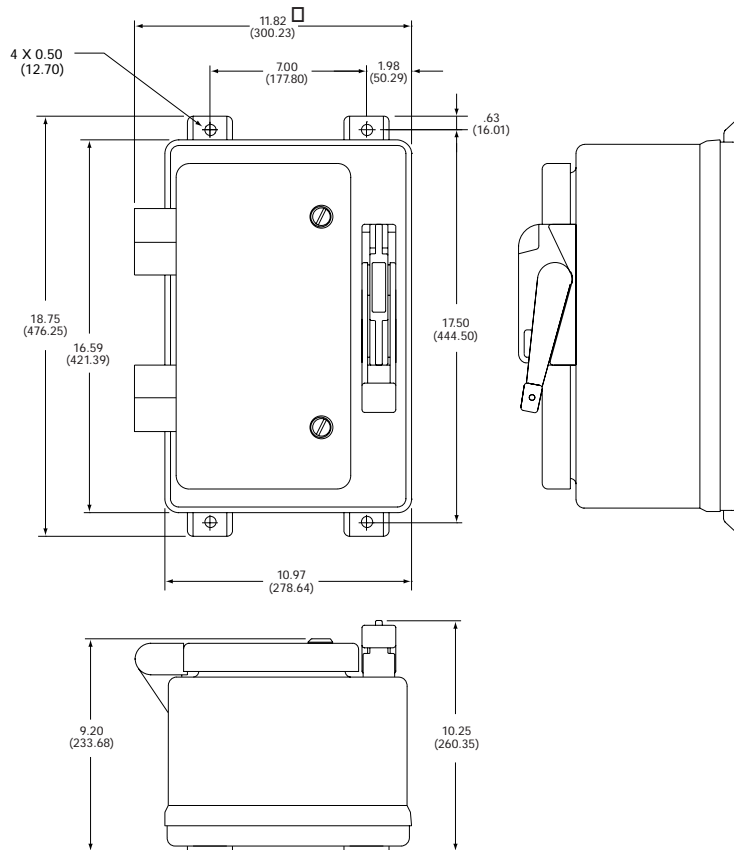
Description	Wire Range
Line, Load, Neutral	#14-4 AWG (Cu/Al)
Ground	#14-4 AWG

## Compression Lugs <sup>1</sup>

Wire Size	Burdny		Thomas-Betts		Ilsco	
	CU Only	CU/AL	CU Only	CU/AL	CU Only	CU/AL
#14-10				60096 60097		
#8	YA8C-L BOX YA8C-L1 BOX		54104 54130	60101 60102 61102	CRA-8	ACL-8 ACN-8
#6				61107		

<sup>1</sup> If compression lugs are used for the neutral, order compression lug neutral barrier kit HCL612.

## Dimension Drawing



Dimensions shown in inches and millimeters (.).  
Dimension shown accurate to  $\pm \frac{1}{8}$  inch.

Note: Enclosure is constructed from fiberglass reinforced polyester with non-metallic hinges and cover latches. Finish – gray.