

# Heavy Duty Double Throw Safety Switch

## Type VBII, 200 Amp, Type 1 (Indoor)

### Standards and Ratings

- UL Listed under file #E4776
- Meets UL98 for switches and UL50 for enclosures
- Suitable for use as Transfer Equipment on optional standby systems as defined by Article 702 of the NEC
- Meets NEMA Standard KS-1 for enclosed switches (Type HD)
- Meets NEC wire bending space requirements
- Suitable for use as service equipment
- AIC Ratings  
General Duty 10,000 AIC when protected by Class H or 100,000 AIC when protected by Class R, J or T fuses (fuse ampere rating must not exceed switch ampere rating)  
Heavy Duty 10,000 AIC with Class H or 200,000 AIC when used with or

protected by Class R, J or T fuses (fuse ampere rating must not exceed switch ampere rating)

### Features

- Quick-make and break switching action
- Visible blade, double break construction
- Highly visible ON/OFF indication
- Modular design allows quick and easy replacement of parts
- Front removable lugs which can easily be converted to copper body or compression type lugs
- Defeatable dual cover interlock
- All copper current carrying parts <sup>1</sup>
- Tangential knockouts
- Handle is padlockable in OFF position

### General Information

Catalog Number	Max AC Volts	Description	Shipping Weight (lbs.)
DTF224 <sup>2</sup>	240	Fusible, 2 Pole, 2 Wire	89
DTF324 <sup>2</sup>	240	Fusible, 3 Pole, 3 Wire	92
DTF364 <sup>2</sup>	600	Fusible, 3 Pole, 3 Wire	92
DTNF224	240	Non-fusible, 2 Pole, 2 Wire	79
DTNF324	240	Non-fusible, 3 Pole, 3 Wire	82
DTNF364	600	Non-fusible, 3 Pole, 3 Wire	82

### Horsepower Ratings <sup>3</sup>

Catalog Number	240V 1Ø		240V 3Ø		480V 3Ø		600V 3Ø		250V DC	
	Std	Max	Std	Max	Std	Max	Std	Max	Std	Max
DTF224	15	—	25	60	—	—	—	—	40	—
DTF324	15	—	25	60	—	—	—	—	40	—
DTF324	15	—	25	60	50	125	60	150	40	—
DTNF224	—	15	—	60	—	—	—	—	—	40
DTNF324	—	15	—	60	—	—	—	—	—	40
DTNF364	—	15	—	60	—	125	—	150	—	40

<sup>1</sup> Lugs are aluminum alloy as standard. Optional copper body lugs are available.

<sup>2</sup> Fusible switches accept: Class H fuses as standard or Class R or T fuses with kit, Class J fuses (move load base).

<sup>3</sup> Dual horse ratings: Std - applies when non-time delay fuses are installed.  
 Max - applies when time-delay fuses are installed.

## Product Specification Sheet HD200.7

Answers for industry.

**SIEMENS**

# Product Specification Sheet #HD200.7 (page 2 of 3)

## Accessories

Catalog Number	Description
HA161234	Auxiliary Switch (1-NO & 1 NC) <sup>1</sup>
HA261234	Auxiliary Switch (2-NO & 2 NC) <sup>1</sup>
HA361234	Low Voltage Auxiliary Switch <sup>1</sup>
HG61234	Equipment Ground Lug Kit (two lugs provided)
HG261234	Isolated Equipment Ground Lug Kit
HNC264	Neutral Kit
HR64	Class R Fuse Clip Kit (3 fuse clips per kit, (2) kits required per switch)
HT24 2	300V Class T Kit (2) required per pole
HT64 2	600V Class T Kit (2) required per pole
HLC64	Copper Lug Kit (9 lugs per kit) <sup>1</sup>
HCL64	Compression Lug Neutral Barrier Kit

## Replacement Parts

Catalog Number	Description
HBB64	Fusible Load Side Replacement Base (2) kits required per switch
HBB21	Fusible Line Side Replacement Base (2) kits required per switch
HNB64	Non-fusible Replacement Line Base (2) kits required per switch
HHD61234	Replacement Handle/Handle Guard
HL64	Replacement Lugs (3 lugs per kit)
HM64	Replacement Mechanism <sup>2</sup>
3	Replacement Door

## Mechanical Lug Wire Ranges (60/75°C, Cu/Al)

Description	Wire Range
Line, Load	#6-250 Kcmil
Neutral	
Ground	#14-4 AWG

## Compression Lugs (UL listed for field installation)

Wire Size	Burndy		Thomas-Betts		IIsco	
	CU ONLY	CU/AL	CU ONLY	CU/AL	CU ONLY	CU/AL
#2	YA2C-L Box	YA2CA1	54142-TB	60117	CRB-2	IACL-2
	YA2C				CRB-2L	ACN-2
#1	YA1C-L BOX	YA1CA1	54147	60123	CRA-1-38	ACN-1
	YA1C		54947BE		CRA-1L	
1/0	YA25-L BOX	YA25A1	54153-TB	60129	CRA-0	IACL-1/0
	YA25		54949BE	61130	CRA-1/0L	ACN-1/0
2/0	YA26-L3	YA26A6	54158	60135	CRA-2/0	ACL-2/0
	YA26		256-30695-1229	61136	CRA-2/0L	IACL-2/0
3/0	YA27-L3	YA27A1	54163-TB	60141	CRC-3/0	IACL-3/0
	YA27			61142	CRB-3/0L	ACL-3/0
4/0	YA28-L3	YA28A1	54168	61148	CRC-4/0	IACL-4/0
	YA28-TC38		256-30695-1253	60147	CRB-4/0L	ACL-4/0
250 Kcmil	YA29-L7		54173	61156	CRA-250	
			54913BE			

<sup>1</sup> (2) required per switch (one for each of the two line bases).

<sup>2</sup> (4) required for 2 pole and (6) required for 3 pole switch.

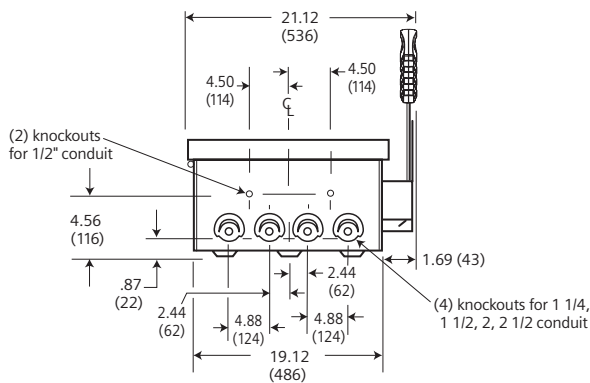
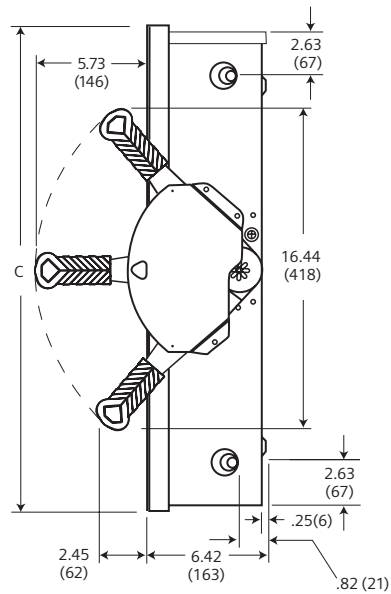
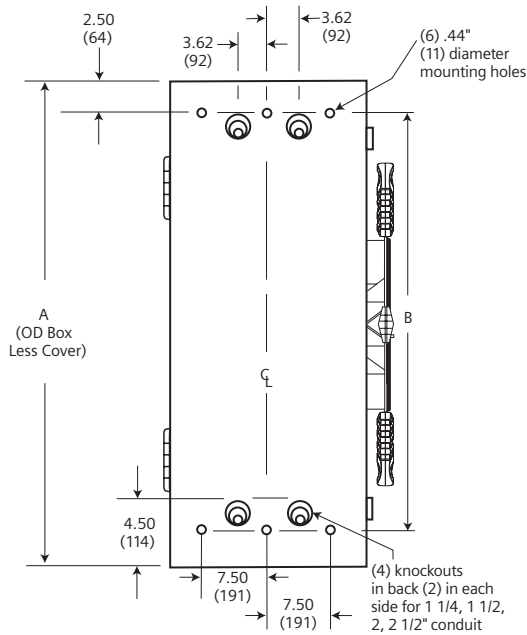
<sup>3</sup> Catalog number is same as switch catalog number plus "DOOR" suffix.

# Product Specification Sheet #HD200.7 (page 3 of 3)

## Dimension Drawing

### Dimensions and Wire Bending Space

Catalog Number	Dimensions			Wire Bending Space	
	A	B	C	Top	Bottom
DTNF224 DTNF324 DTNF364	36.00 (914)	31.00 (787)	36.65 (931)	7.50	7.50
DTF224 DTF324 DTF364	49.48 (1257)	44.50 (1130)	50.12 (1273)	7.50	10.00 10.00 7.50



Note: Typical of both top and bottom ends

Dimensions shown in inches and millimeters ( ).  
Dimension shown accurate to  $\pm \frac{1}{8}$  inch.

Enclosure: Cold Rolled Steel .060 Thick (17 Gauge)  
Finish – ANSI Grey #61 Paint