

Heavy Duty Safety Switch

Type VBII, 200 Amp, Type 4/4X (Stainless Steel)

Standards and Ratings

- UL Listed under file #E4776
- Meets UL98 for switches and UL 50 for enclosures
- Meets NEMA Standard KS-1 for enclosed switches
- Meets NEC wire bending space requirements
- Rated 10,000 AIC as standard or 200,000 when protected by Class R, T or J fuses
- Rated 100,000 AIC at 600Vdc with Class R or J fuses
- I²t rated (Amps² x Seconds = 2,000,000)
- 12X overload current rating exceeds 10X industry standard

- Suitable for use as service entrance equipment

Features

- Quick-make and break switching action
- Double break visible blade design
- Highly visible ON/OFF indication
- Rugged installer friendly enclosure design
- Modular design allows quick and easy replacement of parts
- Front removable lugs which can easily be converted to copper body or compression type lugs
- Defeatable dual cover interlock

General Information

Catalog Number	Volts	Description	Shipping Weight (lbs.)
HF224S	240	2 Pole, 2 Wire, Fusible	48
HF324S	240	3 Pole, 3 Wire, Fusible	49
HF324SS ⁴	240	3 Pole, 3 Wire, Fusible	49
HF364S	600	3 Pole, 3 Wire, Fusible	49
HF364SS ⁴	600	3 Pole, 3 Wire, Fusible	49
HNF364S	600	3 Pole, 3 Wire, Non-Fusible	47
HNF364SS ⁴	600	3 Pole, 3 Wire, Non-Fusible	47

Horsepower Ratings ^{1 2} - 240 Volts

Catalog Number	1 Phase, 240V AC		3 Phase, 240V AC		250V DC
	Std	Max	Std	Max	
HF224S	15	—	25	60	40
HF324S & HF324SS	15	—	25	60	40

Horsepower Ratings ^{1 2} - 600 Volts

Catalog Number	3 Phase, 480V AC		3 Phase, 600V AC		600V DC
	Std	Max	Std	Max	
HF364S & HF364SS	50	125	60	150	50
HNF364S & HNF364SS ³	—	125	—	150	50

¹ Dual horsepower ratings:

Std - applies when non-time delay fuses are installed.

Max - applies when time-delay fuses are installed.

² Horsepower ratings listed also apply to Design E motors with no derating.

³ Also rated 60 HP on 3phase, 240V AC systems.

⁴ The enclosure of catalog number HF324SS, HF364SS and HNF364SS is constructed from 316 grade stainless steel.

Product Specification Sheet HD200.4

Answers for industry.

SIEMENS

Product Specification Sheet #HD200.4 (page 2 of 3)

Accessories

Catalog Number	Description
HA161234	One Normally Open and Closed Auxiliary Switches
HA261234	Two Normally Open and Closed Auxiliary Switches
HA361234	Low Voltage Auxiliary Switch
HG61234	Equipment Ground Lug Kit
HG261234	Isolated Equipment Ground Lug Kit
HN64	Neutral Kit
HN264	200% Neutral Kit
HT24	240 Volt Class T Fuse Clip Kit (1-Pole per kit) (HF224S, HF324S)
HT64	600 Volt Class T Fuse Clip Kit (1-Pole per kit) (HF364S)
HR64	Class R Fuse Clip Kit (1 pole per kit) (HF224S, HF324S, HF364S)
HLC64	Copper Lug Kit (9 lugs per kit)
SSH150	1.50" Type 4/4X Hub
SSH200	2.00" Type 4/4X Hub

Replacement Parts

Catalog Number	Description
HFB64	Fusible Line Side Replacement Base (HF224S, HF324S, HF364S)
HBB64	Fusible Load Side Replacement Base (HF224S, HF324S, HF364S)
HNB64	Non-Fusible Replacement Base (HNF364S)
HH64S	Replacement Handle/Handle Guard
HL64	Replacement Lugs (3 lugs per kit)
HM64S	Replacement Mechanism
1	Replacement Door

Mechanical Lug Wire Ranges (75°C, Cu/Al)

Description	Wire Range
Line, Load, Neutral	#6 AWG - 300 Kcmil
200% and Standard Neutral Ground	#14-1/0AWG
Ground Lug Kit	#14-4 AWG
200% Neutral	(2) #6 AWG - 300 Kcmil

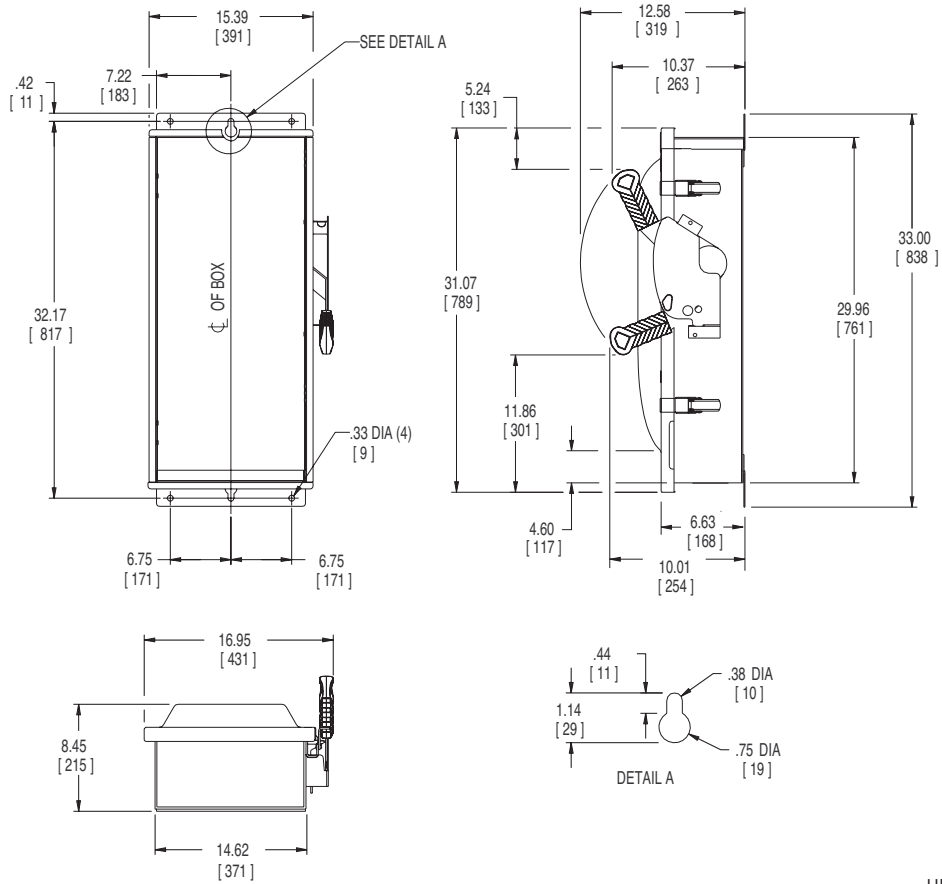
Compression Lugs

Wire Size	Burdny		Thomas-Betts		IlSCO	
	CU ONLY	CU/AL	CU ONLY	CU/AL	CU ONLY	CU/AL
#2	YA2C-L Box YA2C	YA2CA1	54142-TB	60117	CRB-2 CRB-2L	IACL-2 ACN-2
#1	YA1C-L Box YA1C	YA1CA1	54147 54947BE	60123	CRA-1-38 CRA-1L	ACN-1
1/0	YA25-L Box YA25	YA25A1	54153-TB 54949BE	60129 61130	CRA-0 CRA-1/0L	IACL-1/0 ACN-1/0
2/0	YA26-L3 YA26	YA26A6	54158 256-30695-1229 54910BE	60135 61136	CRA-2/0 CRA-2/0L	ACL-2/0 IACL-2/0
3/0	YA27-L3 YA27	YA27A1	54163-TB	60141 61142	CRC-3/0 CRB-3/0L	IACL-3/0 ACL-3/0
4/0	YA28-L3 YA28-TC38	YA28A1	54168 256-30695-1253	61148 60147	CRC-4/0 CRB-4/0L	IACL-4/0 ACL-4/0
250 Kcmil	YA29-L7		54173 54913BE	61156	CRA-250 CRA-250L	IACL-250
300 Kcmil				61162		

1 Place "Door" at the end of the switch catalog number.

Product Specification Sheet #HD200.4 (page 3 of 3)

Dimension Drawing



No knockouts in enclosure.
 Dimensions shown in inches and millimeters ().
 Dimension shown accurate to $\pm \frac{1}{8}$ inch.

	LINE SIDE WIRE BEND	LOAD SIDE WIRE BEND
240V Fused	7.87 (200)	10.34 (263)
600V Fused	7.87 (200)	7.84 (199)
Non-Fused	7.87 (200)	15.84 (402)

HF224S, HF324S, HF364S and
 HNF364S
 Enclosure: 304 Stainless Steel
 .055 Thick (17 Gauge)

HF324SS, HF364SS and
 HNF364SS
 Enclosure: 316 Stainless Steel
 .055 Thick (17 Gauge)