

Heavy Duty Safety Switch

Type VBII, 200 Amp, Type 12 (Industrial)¹

Standards and Ratings

- UL Listed under file #E4776
- Meets UL98 for switches and UL 50 for enclosures
- Meets NEMA Standard KS-1 for enclosed switches
- Meets NEC wire bending space requirements
- Rated 10,000 AIC with Class H fuses or 200,000 AIC with Class R, T and J fuses
- Rated 100,000 AIC at 600Vdc with Class R or J fuses
- I²t rated (Amps² x Seconds = 2,000,000)
- 12X overload current rating exceeds 10X industry standard

- Suitable for use as service entrance equipment

Features

- Quick-make and break switching action
- Double break visible blade design
- Highly visible ON/OFF indication
- Rugged installer friendly enclosure design
- Modular design allows quick and easy replacement of parts
- Front removable lugs which can easily be converted to copper body or compression type lugs
- Defeatable dual cover interlock

General Information

Catalog Number	Volts	Description	Shipping Weight (lbs.)
HF224J	240	2 Pole, 2 Wire, Fusible	48
HF324J	240	3 Pole, 3 Wire, Fusible	49
HF364J	600	3 Pole, 3 Wire, Fusible	49
HNF364J	600	3 Pole, 3 Wire, Non-Fusible	47

Horsepower Ratings^{2 3} - 240 Volts

Catalog Number	1 Phase, 240V AC		3 Phase, 240V AC		250V DC
	Std	Max	Std	Max	
HF224J	15	—	25	60	40
HF324J	15	—	25	60	40

Horsepower Ratings^{2 3} - 600 Volts

Catalog Number	3 Phase, 480V AC		3 Phase, 600V AC		600V DC
	Std	Max	Std	Max	
HF364J	50	125	60	150	50
HNF364J ⁴	—	125	—	150	50

Mechanical Lug Wire Ranges (75°C, Cu/Al)

Description	Wire Range
Line, Load, Neutral	#6 AWG - 300 Kcmil
200% and Standard Neutral Ground	#14-1/0AWG
Ground Lug Kit	#14-4 AWG
200% Neutral	(2) #6 AWG - 300 Kcmil

¹ Also rated 3R/3S for outdoor use.

² Dual horsepower ratings: Std - applies when non-time delay fuses are installed.

Max - applies when time-delay fuses are installed.

³ Horsepower ratings listed also apply to Design E motors with no derating.

⁴ Also rated 60 HP on 3 phase, 240V AC systems.

Product Specification Sheet HD200.2

Answers for industry.

SIEMENS

Product Specification Sheet #HD200.2 (page 2 of 3)

Accessories

Catalog Number	Description
HA161234	One Normally Open and Closed Auxiliary Switches
HA261234	Two Normally Open and Closed Auxiliary Switches
HA361234	Low Voltage Auxiliary Switch
HG61234	Equipment Ground Lug Kit
HG261234	Isolated Equipment Ground Lug Kit
HN64	Neutral Kit
HN264	200% Neutral Kit
HT24	240 Volt Class T Fuse Clip Kit (1-Pole per kit) (HF224J, HF324J)
HT64	600 Volt Class T Fuse Clip Kit (1-Pole per kit) (HF364J)
HR64	Class R Fuse Clip Kit (3 fuse clips per kit) (HF224J, HF324J, HF364J)
HLC64	Copper Lug Kit (9 lugs per kit)
SSH200	2.00" Type 12 Hub

Replacement Parts

Catalog Number	Description
HFB64	Fusible Line Side Replacement Base (HF224J, HF324J, HF364J)
HBB64	Fusible Load Side Replacement Base (HF224J, HF324J, HF364J)
HNB64	Non-Fusible Replacement Base (HNF364J)
HH64	Replacement Handle/Handle Guard
HL64	Replacement Lugs (3 lugs per kit)
HM64	Replacement Mechanism
1	Replacement Door

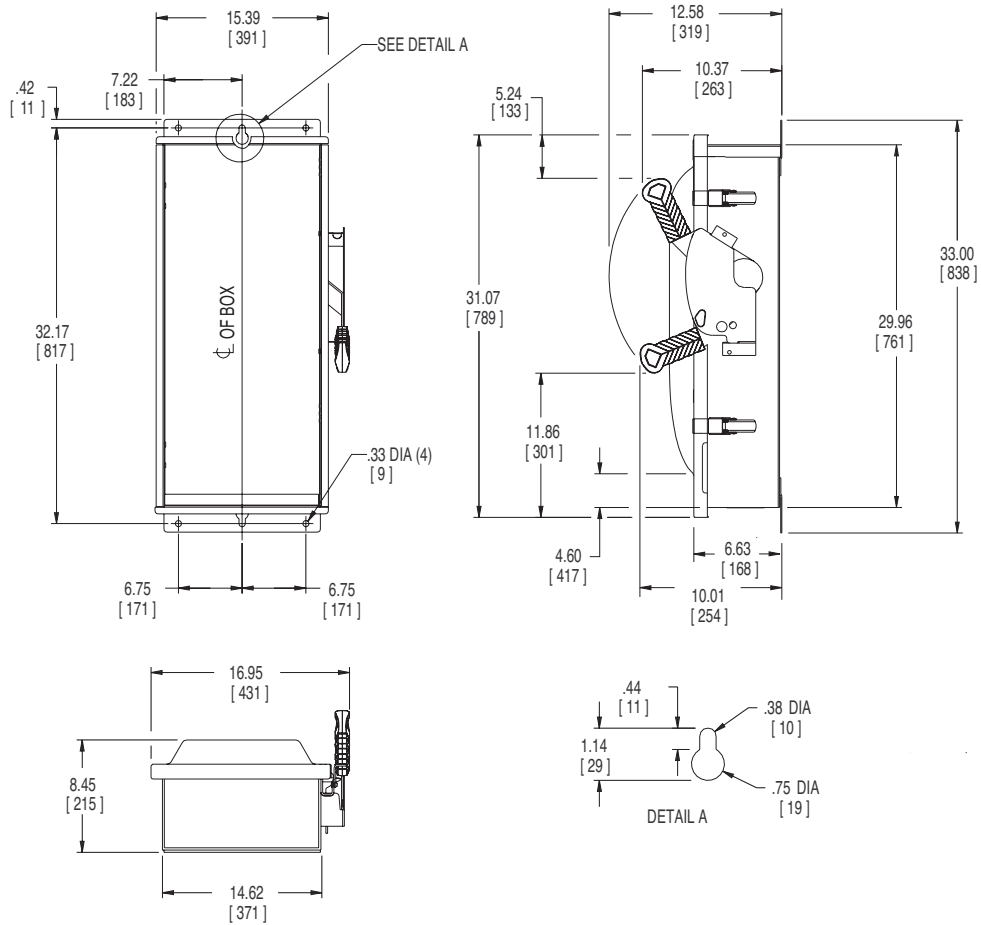
Compression Lugs

Wire Size	Burndy		Thomas-Betts		Ilsco	
	CU ONLY	CU/AL	CU ONLY	CU/AL	CU ONLY	CU/AL
#2	YA2C-L Box	YA2CA1	54142-TB	60117	CRB-2	IACL-2
	YA2C				CRB-2L	ACN-2
#1	YA1C-L Box	YA1CA1	54147	60123	CRA-1-38	ACN-1
	YA1C		54947BE		CRA-1L	
1/0	YA25-L Box	YA25A1	54153-TB	60129	CRA-0	IACL-1/0
	YA25		54949BE	61130	CRA-1/0L	ACN-1/0
2/0	YA26-L3	YA26A6	54158	60135	CRA-2/0	ACL-2/0
	YA26		256-30695-1229	61136	CRA-2/0L	IACL-2/0
3/0	YA27-L3	YA27A1	54163-TB	60141	CRC-3/0	IACL-3/0
	YA27			61142	CRB-3/0L	ACL-3/0
4/0	YA28-L3	YA28A1	54168	61148	CRC-4/0	IACL-4/0
	YA28-TC38		256-30695-1253	60147	CRB-4/0L	ACL-4/0
250 Kcmil	YA29-L7		54173	61156	CRA-250	IACL-250
300 Kcmil			54913BE		CRA-250L	
				61162		

1 Place "Door" at the end of the switch catalog number.

Product Specification Sheet #HD200.2 (page 3 of 3)

Dimension Drawing



No knockouts in enclosure.
 Dimensions shown in inches and millimeters ().
 Dimension shown accurate to $\pm \frac{1}{8}$ inch.

	LINE SIDE WIRE BEND	LOAD SIDE WIRE BEND
240V Fused	7.87 (200)	10.34 (263)
600V Fused	7.87 (200)	7.84 (199)
Non-Fused	7.87 (200)	15.84 (402)

Enclosure: Galvanized Steel
 .054 Thick (17 Gauge)
 Finish: ANSI Grey #61 Paint