

Heavy Duty Safety Switch

Type VBII, 1200 Amp, Type 1 (Indoor)

Standards and Ratings

- UL Listed under file #E4776
- Meets UL98 for switches and UL 50 for enclosures
- Meets NEMA Standard KS-1 for enclosed switches
- Meets NEC wire bending space requirements
- Rated 200,000 AIC with Class L and T fuses
- Suitable for use as service entrance equipment

Features

- Quick-make and break switching action
- Visible blade design
- Highly visible ON/OFF indication
- Modular design allows quick and easy replacement of parts
- Defeatable dual cover interlock

General Information

Catalog Number	Volts	Description	Shipping Weight (lbs.)
HF228N ¹	240	2 Pole, 3 Wire, Fusible	385
HF328N	240	3 Pole, 4 Wire, Fusible	395
HF368	600	3 Pole, 3 Wire, Fusible	383
HF368N	600	3 Pole, 4 Wire, Fusible	395

Horsepower Ratings ² - 240 Volts

Catalog Number	1 Phase, 240V AC		3 Phase, 480V AC		250V DC
	Std	Max	Std	Max	
HF228N	—	—	100	250	—
HF328N	—	—	100	250	—

Horsepower Ratings ² - 600 Volts

Catalog Number	3 Phase, 480V AC		3 Phase, 600V AC		600V DC
	Std	Max	Std	Max	
HF368	200	500	250	500	—
HF368N	200	500	250	500	—

Accessories

Catalog Number	Description
HA165678	One Normally Open and Closed Auxiliary Switches
HA265678	Two Normally Open and Closed Auxiliary Switches
HA365678	Low Voltage Auxiliary Switch
HG678	Equipment Ground Lug Kit
HN678	Neutral Kit
TFAK82	240V Class T Fuse Mounting Kit (1 per pole)
³	Copper Lug Kit (1 lug per kit)
⁴	Compression Lug Mounting Kit (2 kits/pole required allows (4) lugs/Ø)

¹ These switches are UL Listed for application on grounded B phase systems.

² Dual horsepower ratings: Std - applies when non-time delay fuses are installed.

Max - applies when time-delay fuses are installed.

³ Catalog number HLC65678 factory installed only.

⁴ Catalog number HCL65678 factory installed only.

Product Specification Sheet HD1200.1

Answers for industry.

SIEMENS

Product Specification Sheet #HD1200.1 (page 2 of 3)

Replacement Parts

Catalog Number	Description
HFB68 ^{1 2}	Fusible Line Side Replacement Base
HBB68 ^{1 2}	Fusible Load Side Replacement Base
HH68	Replacement Handle/Handle Guard
HM678	Replacement Mechanism
3	Replacement Door

Mechanical Lug Wire Range (75°C, Cu/Al)

Description	Wire Range
Line, Load	(4) 1/0 AWG - 750 Kcmil
Neutral	(4) 1/0 AWG - 750 Kcmil
Ground	(4) #6 AWG - 250 Kcmil

Compression Lugs (Factory Installed mounting kit HCL68T for top and HCL68T for bottom required)

Wire Size	Burndy		Thomas-Betts		Ilsco	
	CU Only	CU/AL	CU Only	CU/AL	CU Only	CU/AL
2/0	YA26-N	YA26-A1	54160 54951BE			IACL-2/0 ACN-2/0
3/0	YA27-L Box YA27	YA27A3	54165-TB 54965BE		CRB-3/0 CRB-3/OL	IACL-3/0 ACN-3/0
4/0	YA28-L Box YA28	YA28A3	54170 54970BE	60150	CRB-4/0 CRB-4/OL	IACL-4/0 ACN-4/0
250 Kcmil	YA29-L Box YA29	YA29A1	54113 54913BE	61156 60156	CRA-250 CRA-250L	IACL-250 ACL-250
300 Kcmil	YA30-L YA30	YA30A1	54114 54914BE	61162 60162	CRA-300 CRA-300L	IACL-300 ACL-300
350 Kcmil	YA31-L YA31	YA31A1	54915BE	61165 60165	CRA-350 CRA-350L	IACL-350 ACL-350
400 Kcmil	YA32-N		54116 54916BE			
500 Kcmil	YA34-L6 YA34-N			61171		IACL-500

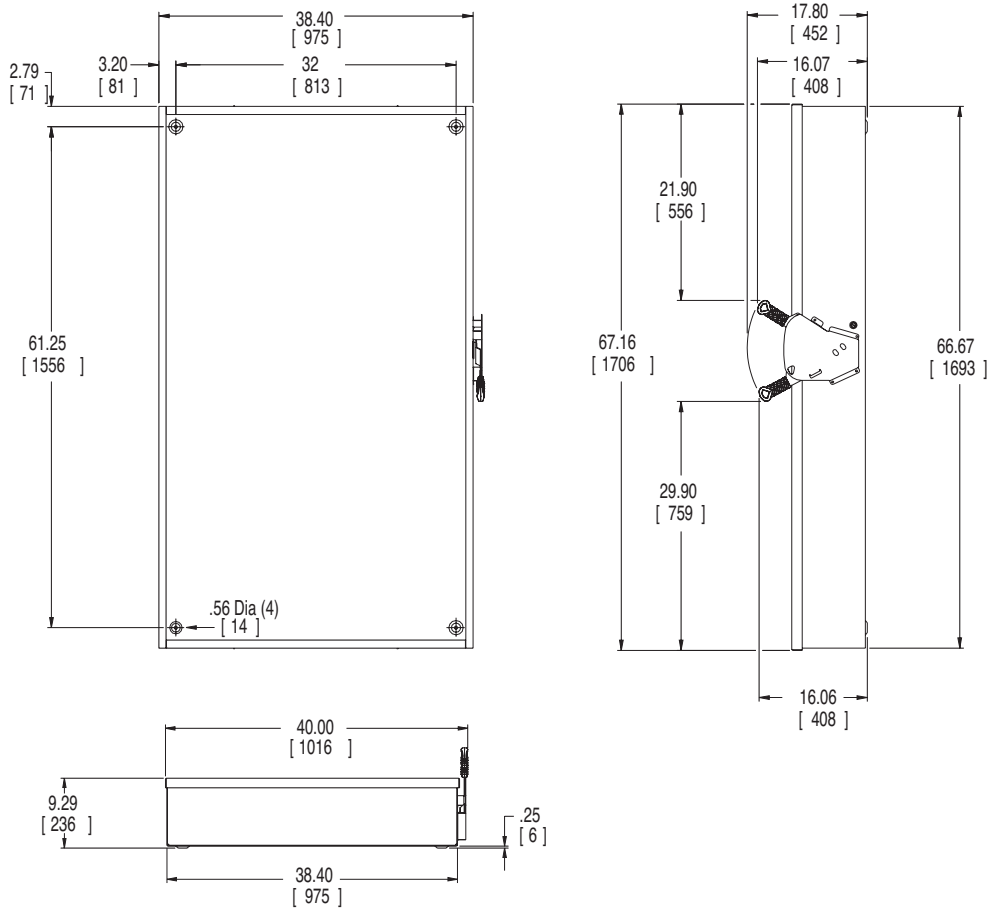
1 Each Line and Load Replacement Base contains one pole.

2 Lugs are provided on Line and Load Replacement Base Assemblies.

3 Place "DOOR" at the end of the switch catalog number.

Product Specification Sheet #HD1200.1 (page 3 of 3)

Dimension Drawing



No knockouts in the enclosure.
 Dimensions shown in inches and millimeters ().
 Dimension shown accurate to ± 1/16 inch.

	LINE SIDE WIRE BEND	LOAD SIDE WIRE BEND
Non-fused	22 (559)	22 (559)

Enclosure: Cold Rolled Steel
 Box .093 Thick (12 Gauge)
 Cover .123 Thick (10 Gauge)
 Finish: ANSI #61 Grey Paint