

Heavy Duty Double Throw Safety Switches

Type 1 (Indoor)

Standards and Ratings

- UL Listed under file #E5239
- Meets UL98 for switches and UL50 for enclosures
- Suitable for use as Transfer Equipment on optional standby systems as defined by Article 702 of the NEC
- Meets NEMA Standard KS-1 for enclosed switches (Type HD)
- Meets NEC wire bending space requirements
- Rated 10,000 AIC ¹
- Quick make and break mechanism
- Visible Blade, double break switching action
- Dual cover interlock
- Handle is padlockable in the OFF position

General Information

Catalog Number	Volts	Amps	Description	Shipping Weight (lbs.)
NF455DTK	600	400	4 Pole, Non-Fusible	160
NF456DTK	600	600	4 Pole, Non-Fusible	185
NF457DTK	600	800	4 Pole, Non-Fusible	185

Horsepower Ratings ² - 600 Volts

Catalog Number	1 Phase, 480V AC			3 Phase, 600V AC			250V DC
	240V	480V	600V	240V	480V	600V	
NF455DTK	—	—	—	125	250	350	50 (Std)
NF456DTK	—	—	—	125	250	350	50 (Std)
NF457DTK	—	—	—	125	250	350	50 (Std)

Accessories

Catalog Number	Description
DS468GK	Equipment Ground Kit
DS200EK1	Auxiliary Switches (1-NO & 1-NC)
DS200EK2	Auxiliary Switches (2-NO & 2-NC)

Mechanical Lug Wire Ranges (60/75°C, Cu/Al)

Catalog Number	Description	Wire Range
NF455DTK	Line, Load	(2) #1/0 – 300 Kcmil or (1) 250 – 750 Kcmil
NF456DTK	Line, Load	(2) 250 – 500 Kcmil
NF457DTK	Line, Load	(3) 250 – 500 Kcmil

¹ Switches protected by Class T fuses are rated 100,000 AIC. Fuse ampere rating must not exceed switch ampere rating.

² Standard horsepower ratings applies when non-time delay fuses are installed.

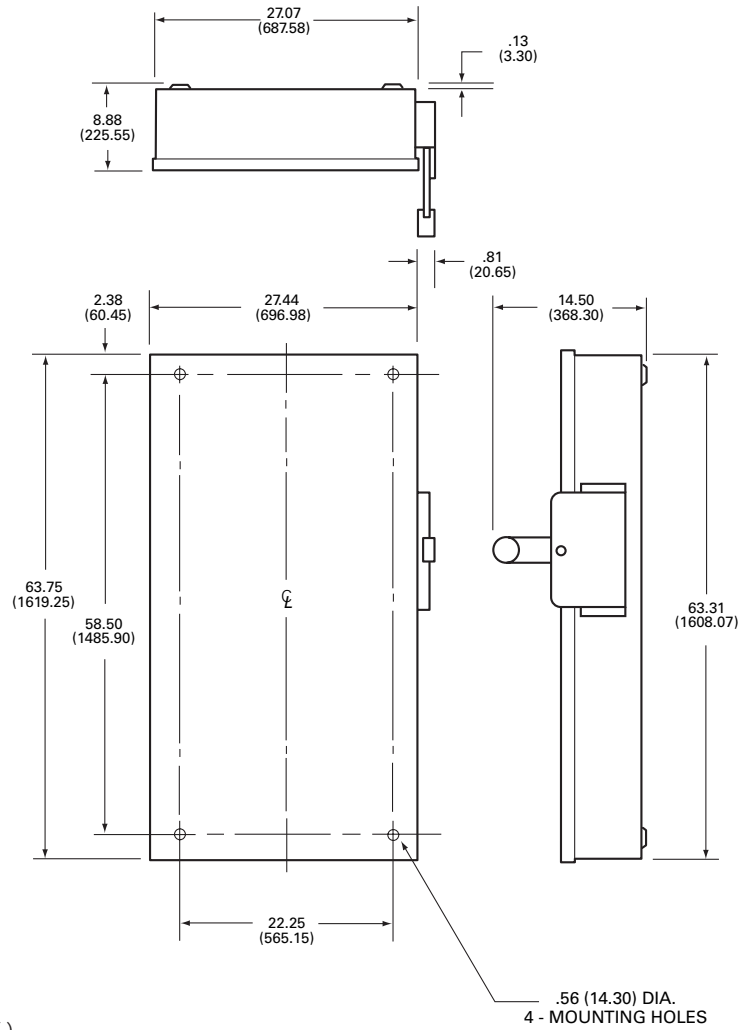
Product Specification Sheet H400.18

Answers for industry.

SIEMENS

Product Specification Sheet #H400.18 (page 2 of 2)

Dimension Drawing



No knockouts in the enclosures.
 Dimensions shown in inches and millimeters ().
 Dimension shown accurate to $\pm \frac{1}{8}$ inch.