

Heavy Duty 4 Pole Safety Switch

Type VBII, 100 Amp, Type 1 (Indoor) Enclosure

Standards and Ratings

- UL Listed under file #E4776
- Meets UL98 for switches and UL50 for enclosures
- Meets NEMA Standard KS-1 for enclosed switches (Type HD)
- Meets NEC wire bending space requirements
- Suitable for use as Service Equipment
- Rated 10,000 AIC with Class H or 200,000 AIC when used with or protected by Class R, J or T fuses (fuse ampere rating must not exceed switch ampere rating)

Features

- Quick-make and break switching action
- Visible blade, double break construction
- Highly visible ON/OFF indication
- Modular design allows quick and easy replacement of parts
- Front removable lugs which can easily be converted to copper body or compression type lugs
- Defeatable dual cover interlock
- All copper current carrying parts ¹
- Tangential knockouts
- Handle is padlockable in OFF position

General Information

Catalog Number	Max AC Volts	Description	Shipping Weight (lbs.)
HF463 ²	600	Fusible, 4 Pole, 4 Wire	43
HNF463		Non-fusible, 4 Pole, 4 Wire	36

Horsepower Ratings ³

Catalog Number	240V 2 Ø, 4W		240V 3 Ø		480V 3 Ø		600V 3 Ø		250V DC
	Std	Max	Std	Max	Std	Max	Std	Max	
HF463	15	30	15	30	25	60	30	75	20
HNF463	—	30	—	40	—	75	—	100	20

Accessories

Catalog Number	Description
HA161234	Auxiliary Switch (1-NO & 1 NC)
HA261234	Auxiliary Switch (2-NO & 2 NC)
HA361234	Low Voltage Auxiliary Switch
HG61234	Equipment Ground Lug Kit (factory installed)
HG261234	Isolated Equipment Ground Lug Kit
HP63	Fuse Puller (3 per kit, (2) kits required per switch)
HN623	Neutral Kit
HR63	Class R Fuse Clip Kit (3 fuse clips per kit, (2) kits required per switch)
HT63	600V Class T Fuse Clip Kit (2) required per pole
HLC63	Copper Lug Kit (9 lugs per kit)
HCL63	Compression Lug Neutral Barrier Kit

Mechanical Lug Wire Ranges (60/75°C, Cu/Al)

Description	Wire Range
Line, Load, Neutral	#14-1/0 AWG
Ground	#14-4 AWG

¹ Lugs are aluminum alloy as standard. Optional copper body lugs are available.

² Fusible switches accept: Class H fuses as standard or Class R or T fuses with kit, Class J fuses (move load base).

³ Dual horsepower ratings: Std - applies when non-time delay fuses are installed.
Max - applies when time-delay fuses are installed.

Product Specification Sheet HD100.11

Answers for industry.

SIEMENS

Product Specification Sheet #HD100.11 (page 2 of 2)

Replacement Parts

Catalog Number	Description
HBB63	Fusible Load Side Replacement Base (2) kits required per switch
HFB63	Fusible Line Side Replacement Base (2) kits required per switch
HNB623	Non-fusible Replacement Line Base (2) kits required per switch
HH461234	Replacement Handle/Handle Guard
HL63	Replacement Lugs (3 lugs per kit)
HM6123	Replacement Mechanism (2) kits required per switch
1	Replacement Door

Compression Lugs (UL listed for field installation) ²

Wire Size	Burdyn		Thomas-Betts		IlSCO	
	CU ONLY	CU/AL	CU ONLY	CU/AL	CU ONLY	CU/AL
#6	YA6C-L Box	YA6CA1	54105	61107	CRB-6	ACL-6
	YA6C		54905BE	60107	CRB-6L	
#4	YA4C-L BOX	YA4CA1	54106	61112	CRB-4	ACL-4
	YA4C		54906BE	60112	CRB-4L	
#2	YA2C-L2 BOX	YA2CA5	54107	61116	CRB-2	ACL-2
	YA2C				CRB-2L	
#1	YA1C-L2		54108	61122	CRB-1-14	
	YA1C		54947BE		CRA-1L	
1/0				61130		

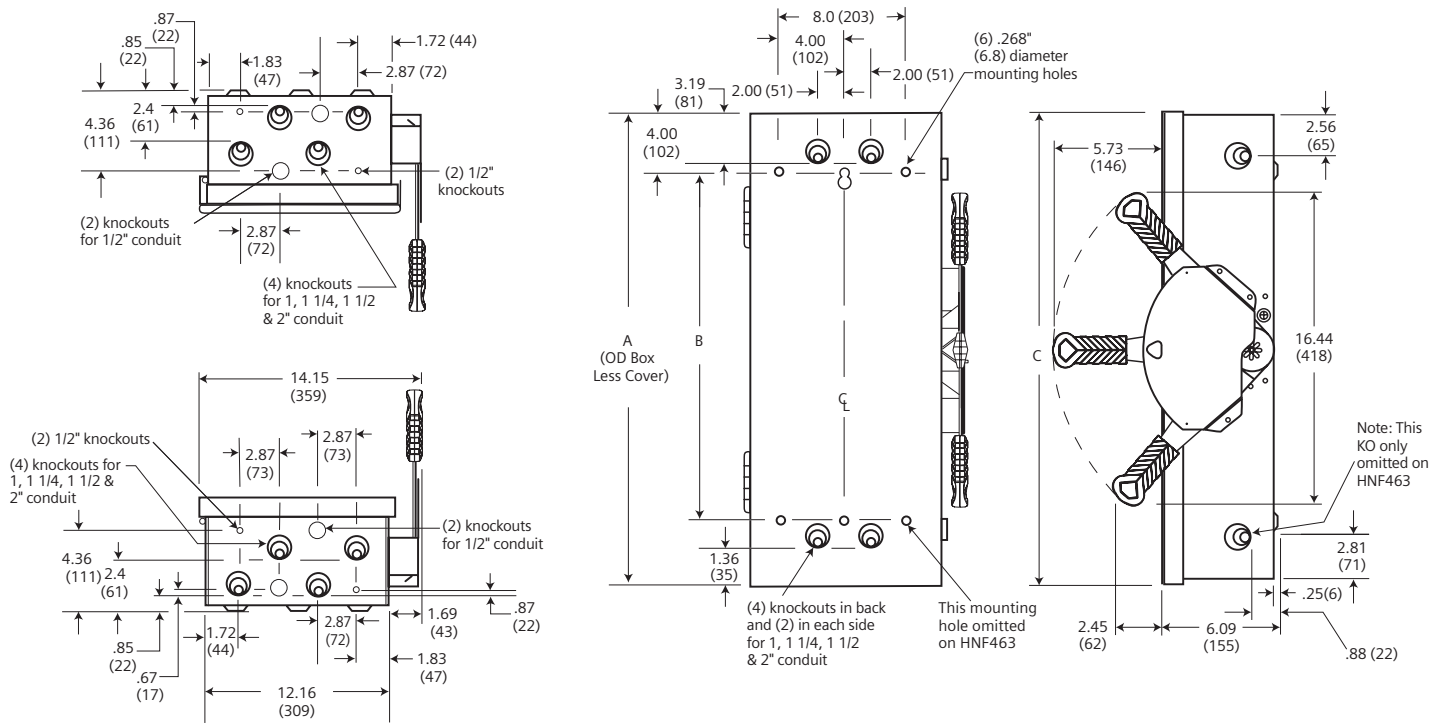
Dimensions and Wire Bending Space

Catalog Number	Dimensions			Wire Bending Space	
	A	B	C	Top	Bottom
HNF463	27.60 (701)	19.36 (492)	28.09 (713)	6.12	6.12
HF463	36.41 (925)	28.11 (714)	36.96 (939)	6.12	6.12

1 Catalog number is same as switch catalog number plus "DOOR" suffix.

2 If compression lugs are used for the neutral, order compression lug neutral barrier kit HCL63.

Dimension Drawing



Dimensions shown in inches and millimeters (.).
Dimension shown accurate to ± 1/8 inch.

Enclosure: Cold Rolled Steel .053 Thick (17 Gauge)
Finish – ANSI Grey #61 Paint