

# Heavy Duty Double Throw Safety Switches, 800 & 1200 Amp

## Type VBII, 30 Amp, Type 1 (Indoor) and Type 3R (Outdoor Enclosures)

### Standards and Ratings

- UL Listed under file #E4776
- Meets UL98 for switches and UL 50 for enclosures
- Meets NEMA Standard KS-1 for enclosed switches
- Meets NEC wire bending space requirements
- Rated 10,000 AIC as standard or 200,000 when protected by Class L or T fuses
- Suitable for use as Transfer Equipment on optional standby systems as defined by Article 702 of the NEC

- Suitable for use as service entrance equipment

### Features

- Quick-make and break switching action
- Visible blade design
- Highly visible ON/OFF indication
- Modular design allows quick and easy replacement of parts
- Defeatable dual cover interlock
- Handle is padlockable in the OFF position

### General Information

Catalog Number	Amps	Max AC Volts	Description	Shipping Weight (lbs.)
<b>Type 1, Indoor Enclosure</b>				
DTNF327	800	240		460
DTNF367	800	600	Non-Fusible, 3 Pole, 3 Wire	460
DTNF368	1200	600		470
<b>Type 3R, Outdoor Enclosure</b>				
DTNF367R	800			465
DTNF368R	1200	600	Non-Fusible, 3 Pole, 3 Wire	475

Note: All switches are also rated 250V DC max.

### Horsepower Ratings <sup>1</sup>

Catalog Number	240V 3 Ø	480V 3 Ø	600V 3 Ø	250V DC
DTNF327	250	—	—	50
DTNF367	250	500	500	50
DTNF367R	250	500	500	50
DTNF368	250	500	500	50
DTNF368R	250	500	500	50

### Accessories

Catalog Number	Description
HA165678	Auxiliary Switch (1-NO & 1 NC)
HA265678	Auxiliary Switch (2-NO & 2 NC)
HG678	Equipment Ground Lug Kit
HND678	Neutral Kit

<sup>1</sup> Dual horsepower ratings: Std - applies when non-time delay fuses are installed.  
Max - applies when time-delay fuses are installed.

## Product Specification Sheet HD800.9

Answers for industry.

**SIEMENS**

# Product Specification Sheet #HD800.9 (page 2 of 2)

## Replacement Parts

Catalog Number	Description
HNB678 <sup>1</sup>	Non-Fusible Replacement Base (2 required per pole)
HHD656	Replacement Handle/Handle Guard
HL65678	Replacement Lugs (1 lug/kit)

## Dimensions and Wire Bending Space

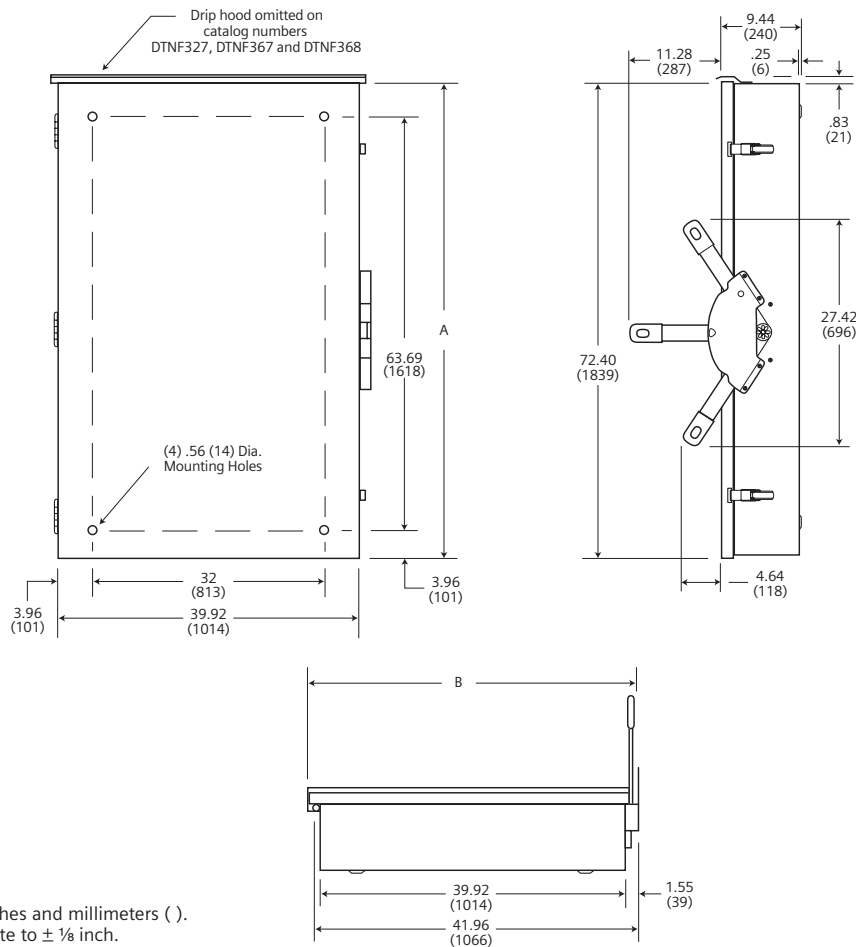
Catalog Number	Dimensions		Wire Bending Space	
	A	B	Top	Bottom
DTNF327	71.65	—	19.75 (502)	19.71 (501)
DTNF367	(1820)			
DTNF368				
DTNF367R	71.75	42.34		
DTNF368R	(1822)	(1075)		

<sup>1</sup> Lugs are provided on the Replacement Base Assembly.

## Mechanical Lug Wire Range (75°C, Cu/Al)

Description	Wire Range
Line, Load (800A)	(2) 1/0 AWG - 750 Kcmil or (3) 1/0 - 500 Kcmil
Line, Load (1200A)	(3) 1/0 AWG - 600 Kcmil or (4) 1/0 - 500 Kcmil
Neutral	(4) 1/0 AWG - 750 Kcmil
Ground	(4) #6 AWG - 250 Kcmil

## Dimension Drawing



Dimensions shown in inches and millimeters ( ).  
Dimension shown accurate to  $\pm \frac{1}{8}$  inch.

Type 1  
Enclosure: Cold Rolled Steel  
Box .093 (12 Gauge)  
Finish – ANSI Grey #61 Paint  
Type 3R  
Enclosure: Galvanized Steel  
Box .097 Thick (12 Gauge)  
Finish – ANSI Grey #61 Paint