

# Heavy Duty Safety Switch

## Type VBII, 400 Amp, Type 1 (Indoor)

### Standards and Ratings

- UL Listed under file #E4776
- Meets UL98 for switches and UL 50 for enclosures
- Meets NEMA Standard KS-1 for enclosed switches
- Meets NEC wire bending space requirements
- Rated 10,000 AIC as standard or 200,000 when protected by Class R, T or J fuses rated 400 amp maximum
- I<sup>2</sup>t rated (Amps<sup>2</sup> x Seconds = 6,000,000)
- 12X overload current rating exceeds 10X industry standard

- Suitable for use as service entrance equipment

### Features

- Quick-make and break switching action
- Visible blade design
- Highly visible ON/OFF indication
- Rugged installer friendly enclosure design
- Modular design allows quick and easy replacement of parts
- Front removable lugs which can easily be converted to copper body or compression type lugs
- Defeatable dual cover interlock

### General Information

Catalog Number	Volts	Description	Shipping Weight (lbs.)
HNF265	600	2 Pole, 2 Wire, Non-Fusible	109
HNF365	600	3 Pole, 3 Wire, Non-Fusible	114

### Horsepower Ratings<sup>1 2</sup> - 600 Volts

Catalog Number	3 Phase, 480V AC		3 Phase, 600V AC		600V DC
	Std	Max	Std	Max	
HNF265	—	—	—	—	50
HNF365 <sup>3 4</sup>	—	250	—	350	—

### Accessories

Catalog Number	Description
HA165678	One Normally Open and Closed Auxiliary Switches
HA265678	Two Normally Open and Closed Auxiliary Switches
HA365678	Low Voltage Auxiliary Switch
HG656	Equipment Ground Lug Kit
HG2656	Isolated Equipment Ground Lug Kit
HN656	Standard and 200% Neutral Kit
HLC65678	Copper Lug Kit (1 lug per kit)
HCL65	Compression Lug Mounting Kit (1 kit/pole required, allows (1) lug/Ø)

<sup>1</sup> Dual horsepower ratings: Std - applies when non-time delay fuses are installed.  
Max - applies when time-delay fuses are installed.

<sup>2</sup> Horsepower ratings listed also apply to Design E motors with no derating.

<sup>3</sup> Also rated 125HP on 3Ø, 240V AC systems.

<sup>4</sup> Rated 50HP on 250V DC systems.

## Product Specification Sheet HD400.2

Answers for industry.

**SIEMENS**

# Product Specification Sheet #HD400.2 (page 2 of 2)

## Replacement Parts

Catalog Number	Description
HNB65 <sup>1 2</sup>	Non-Fusible Replacement Base
HH65678	Replacement Handle/Handle Guard
HL65678 <sup>1</sup>	Replacement Lug (1 lug per kit)
HM65	Replacement Mechanism
<sup>3</sup>	Replacement Door

## Mechanical Lug Wire Ranges

Description	Wire Range
Line, Load	1/0 AWG - 750 Kcmil or (2) 1/0 AWG - 250 Kcmil
Standard and 200% Neutral Ground	(2) #6 AWG - 250 Kcmil
Standard and 200% Neutral	(2) 1/0 AWG - 750 Kcmil

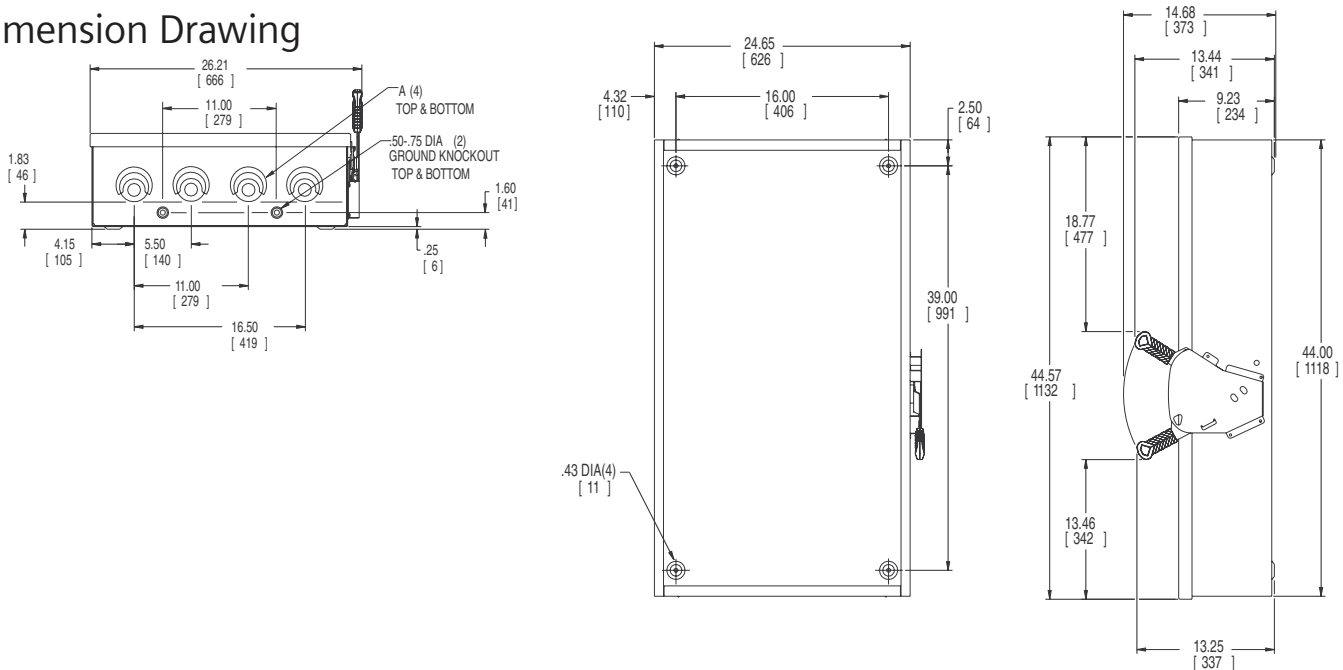
## Compression Lugs <sup>4</sup>

Wire Size	Burndy		Thomas-Betts		Ilsco	
	CU Only	CU/AL	CU Only	CU/AL	CU Only	CU/AL
2/0	YA26-N	YA26-A1	54160 54951BE			IACL-2/0 ACN-2/0
3/0	YA27-L Box YA27	YA27A3	54165-TB 54965BE		CRB-3/0 CRB-3/OL	IACL-3/0 ACN-3/0
4/0	YA28-L Box YA28	YA28A3	54170 54970BE	60150	CRB-4/0 CRB-4/OL	IACL-4/0 ACN-4/0
250 Kcmil	YA29-L Box YA29	YA29A1	54113 54913BE	61156 60156	CRA-250 CRA-250L	IACL-250 ACL-250
300 Kcmil	YA30-L YA30	YA30A1	54114 54914BE	61162 60162	CRA-300 CRA-300L	IACL-300 ACL-300
350 Kcmil	YA31-L YA31	YA31A1	54915BE	61165 60165	CRA-350 CRA-350L	IACL-350 ACL-350
400 Kcmil	YA32-N		54116 54916BE			
500 Kcmil	YA34-L6 YA34-N			61171		IACL-500

1 Lugs are not provided on the Replacement Base Assembly. Order Lug Kit.  
2 Replacement Base contains one pole.

3 Place "DOOR" at the end of the switch catalog number.  
4 If compression lugs are used, order compression lug kit HCL65.

## Dimension Drawing



Dimensions shown in inches and millimeters (.).  
Dimension shown accurate to ± 1/8 inch.

KNOCKOUT CODE	CONDUIT SIZE			
	2.00	2.50	3.00	3.50
A (Tangential)				

	LINE SIDE WIRE BEND	LOAD SIDE WIRE BEND
Non-fused	17.35 (441)	16.48 (419)

Enclosure: Cold Rolled Steel  
.075 (14 Gauge)  
Finish: ANSI Grey #61 Paint