

Heavy Duty Safety Switch

Type VBII, 100 Amp, Type 4/4X (Stainless Steel)

Standards and Ratings

- UL Listed under file #E4776
- Meets UL98 for switches and UL 50 for enclosures
- Meets NEMA Standard KS-1 for enclosed switches
- Meets NEC wire bending space requirements
- Rated 10,000 AIC with Class H fuses or 200,000 AIC with Class R, T and J fuses
- Rated 100,000 AIC at 600Vdc with Class R or J fuses
- I²t rated (Amps² x Seconds = 500,000)
- 12X overload current rating exceeds 10X industry standard

- Suitable for use as service entrance equipment

Features

- Quick-make and break switching action
- Double break visible blade design
- Highly visible ON/OFF indication
- Rugged installer friendly enclosure design
- Modular design allows quick and easy replacement of parts
- Front removable lugs which can easily be converted to copper body or compression type lugs
- Defeatable dual cover interlock

General Information

Catalog Number	Volts	Description	Shipping Weight (lbs.)
HF223S	240	2 Pole, 2 Wire, Fusible	24
HF323S	240	3 Pole, 3 Wire, Fusible	25
HF323SS ⁶	240	3 Pole, 3 Wire, Fusible	25
HF263S	600	2 Pole, 2 Wire, Fusible	27
HF363S	600	3 Pole, 3 Wire, Fusible	25
HF363SS ⁶	600	3 Pole, 3 Wire, Fusible	25
HNF263S	600	2 Pole, 2 Wire, Non-Fusible	25
HNF363S	600	3 Pole, 3 Wire, Non-Fusible	24
HNF363SS ⁶	600	3 Pole, 3 Wire, Non-Fusible	24

Horsepower Ratings^{1 2} - 240 Volts

Catalog Number	1 Phase, 240V AC		3 Phase, 240V AC		250V DC
	Std	Max	Std	Max	
HF223S	7½	15	15	30	20
HF323S & HF323SS	7½	15	15	30	20

Horsepower Ratings^{1 2 3} - 600 Volts

Catalog Number	3 Phase, 480V AC		3 Phase, 600V AC		600V DC
	Std	Max	Std	Max	
HF263S	—	— ⁴	—	— ⁴	50
HF363S & HF363SS	25	60	30	75	25
HNF263S	—	— ⁴	—	— ⁴	50
HNF363S & HNF363SS ⁵	—	75	—	100	25

¹ Dual horsepower ratings: Std - applies when non-time delay fuses are installed.

Max - applies when time-delay fuses are installed.

² Horsepower ratings listed also apply to Design E motors with no derating.

³ Also rated 20HP at 250V DC.

⁴ Also rated 30HP at 480V and 40HP at 600V, 1 phase.

⁵ Also rated 40HP on 3 phase, 240V AC systems.

⁶ The enclosure of catalog numbers HF323SS, HF363SS and HNF363SS is constructed from 316 grade stainless steel.

Product Specification Sheet HD100.4

Answers for industry.

SIEMENS

Product Specification Sheet #HD100.4 (page 2 of 2)

Accessories

Catalog Number	Description
HA161234	One Normally Open and Closed Auxiliary Switches
HA261234	Two Normally Open and Closed Auxiliary Switches
HA361234	Low Voltage Auxiliary Switch
HG61234	Equipment Ground Lug Kit
HG261234	Isolated Equipment Ground Lug Kit
HP63	Fuse Puller (3 per kit) (HF223S, HF263S, HF323S, HF363S)
HN623	Neutral Kit
HR63	Class R Fuse Clip Kit (3 fuse clips per kit) (HF223S, HF263S, HF323S, HF363S)
HT23	240 Volt Class T Fuse Clip Kit (1-Pole per kit) (HF223S, HF323S)
HT63	600 Volt Class T Fuse Clip Kit (1-Pole per kit) (HF263S, HF363S)
HLC63	Copper Lug Kit (9 lugs per kit)
HCL623	Compression Lug Neutral Barrier Kit
SSH125	1.25" Type 4/4X Hub
SSH150	1.50" Type 4/4X Hub
SSH200	2.00" Type 4/4X Hub

Replacement Parts

Catalog Number	Description
HFB63	Fusible Line Side Replacement Base (HF223S, HF323S, HF263S, HF363S)
HBB63	Fusible Load Side Replacement Base (HF223S, HF323S, HF263S, HF363S)
HNB623	Non-Fusible Replacement Base (HNF263S, HNF363S)
HH6123S	Replacement Handle/Handle Guard
HL63	Replacement Lugs (3 lugs per kit)
HM6123S	Replacement Mechanism
1	Replacement Door

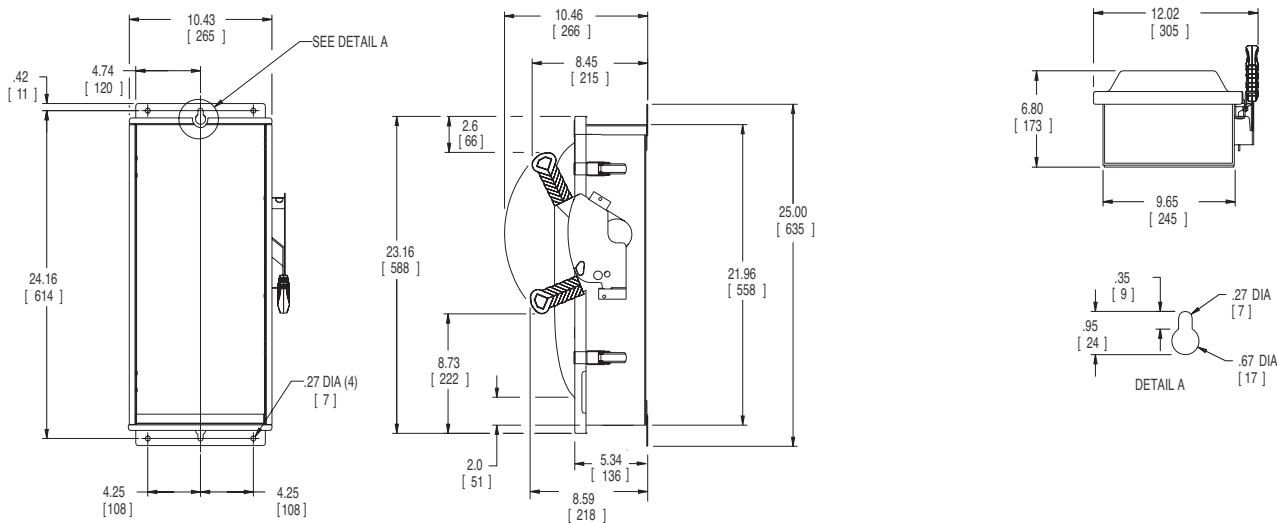
Compression Lugs ²

Wire Size	Burndy		Thomas-Betts		IlSCO	
	CU Only	CU/AL	CU Only	CU/AL	CU Only	CU/AL
#6	YA6C-L BOX	YA6CA1	54105	61107	CRB-6	ACL-6
	YA6C		54905BE	60107	CRB-6L	
#4	YA4C-L BOX	YA4CA1	54106	61112	CRB-4	ACL-4
	YA4C		54906BE	60112	CRB-4L	
#2	YA2C-L2 BOX	YA2CA5	54107	61116	CRB-2	ACL-2
	YA2C				CRB-2L	
#1	YA1C-L2		54108	61122	CRB-1-14	
	YA1C		54947BE		CRA-1L	
1/0				61130		

1 Place "Door" at the end of the switch catalog number.

2 If compression lugs are used for the neutral, order compression lug neutral barrier kit HCL623.

Dimension Drawing



	LINE SIDE WIRE BEND	LOAD SIDE WIRE BEND
240V Fused	6.07 (154)	8.10 (205)
600V Fused	6.07 (154)	6.10 (155)
Non-Fused	6.07 (154)	11.46 (291)

HF223S, HF323S, HF263S, HF363S, HNF263S and HNF363S
Enclosure: 304 Stainless Steel
.055 Thick (17 Gauge)

HF323SS, HF363SS and HNF363SS
Enclosure: 316 Stainless Steel
.055 Thick (17 Gauge)

No knockouts in enclosures.
Dimensions shown in inches and millimeters ().
Dimension shown accurate to ± 1/8 inch.