

Heavy Duty Safety Switch

Type VBII, 60 Amp, Type 4/4X (Stainless Steel)

Standards and Ratings

- UL Listed under file #E4776
- Meets UL98 for switches and UL 50 for enclosures
- Meets NEMA Standard KS-1 for enclosed switches
- Meets NEC wire bending space requirements
- Rated 10,000 AIC as standard or 100,000 when protected by Class R, T or J fuses rated 60 amp maximum
- I²t rated (Amps² x Seconds = 200,000)
- Suitable for use as service entrance equipment

Features

- Quick-make and break switching action
- Double break visible blade design
- Highly visible ON/OFF indication
- Rugged installer friendly enclosure design
- Modular design allows quick and easy replacement of parts
- Front removable lugs which can easily be converted to copper body or compression type lugs
- Defeatable dual cover interlock

General Information

Catalog Number	Max. Volts	Description	Shipping Weight (lbs.)
HNF362SH	600V AC, 250V DC	3 Pole, 3 Wire, Non-Fusible	13

Horsepower Ratings - 600 Volts

Catalog Number	3 Phase, 480V AC		3 Phase, 600V AC		250V DC
	Std	Max	Std	Max	
HNF362SH	—	50 ¹	—	40	10

Accessories

Catalog Number	Description
HA161234	One Normally Open and Closed Auxiliary Switches
HA261234	Two Normally Open and Closed Auxiliary Switches
HA361234	Low Voltage Auxiliary Switch
HG61234	Equipment Ground Lug Kit
HG261234	Isolated Equipment Ground Lug Kit
HN612	Neutral Kit
HLC612	Copper Lug Kit (9 lugs per kit)
HCL612	Compression Lug Neutral Barrier Kit
SSH075	0.75" Type 4/4X Hub
SSH100	1.00" Type 4/4X Hub

Replacement Parts

Catalog Number	Description
HNB612	Non-Fusible Replacement Base
HH6123S	Replacement Handle/Handle Guard
HL612	Replacement Lugs (3 lugs per kit)
HM6123S	Replacement Mechanism
2	Replacement Door

¹ Also rated 20 HP on 3 Phase, 240V AC systems.

² Place "Door" at the end of the switch catalog number.

Product Specification Sheet HD60.9

Answers for industry.

SIEMENS

Product Specification Sheet #HD60.9 (page 2 of 2)

Mechanical Lug Wire Ranges (60/75°C, Cu/Al)

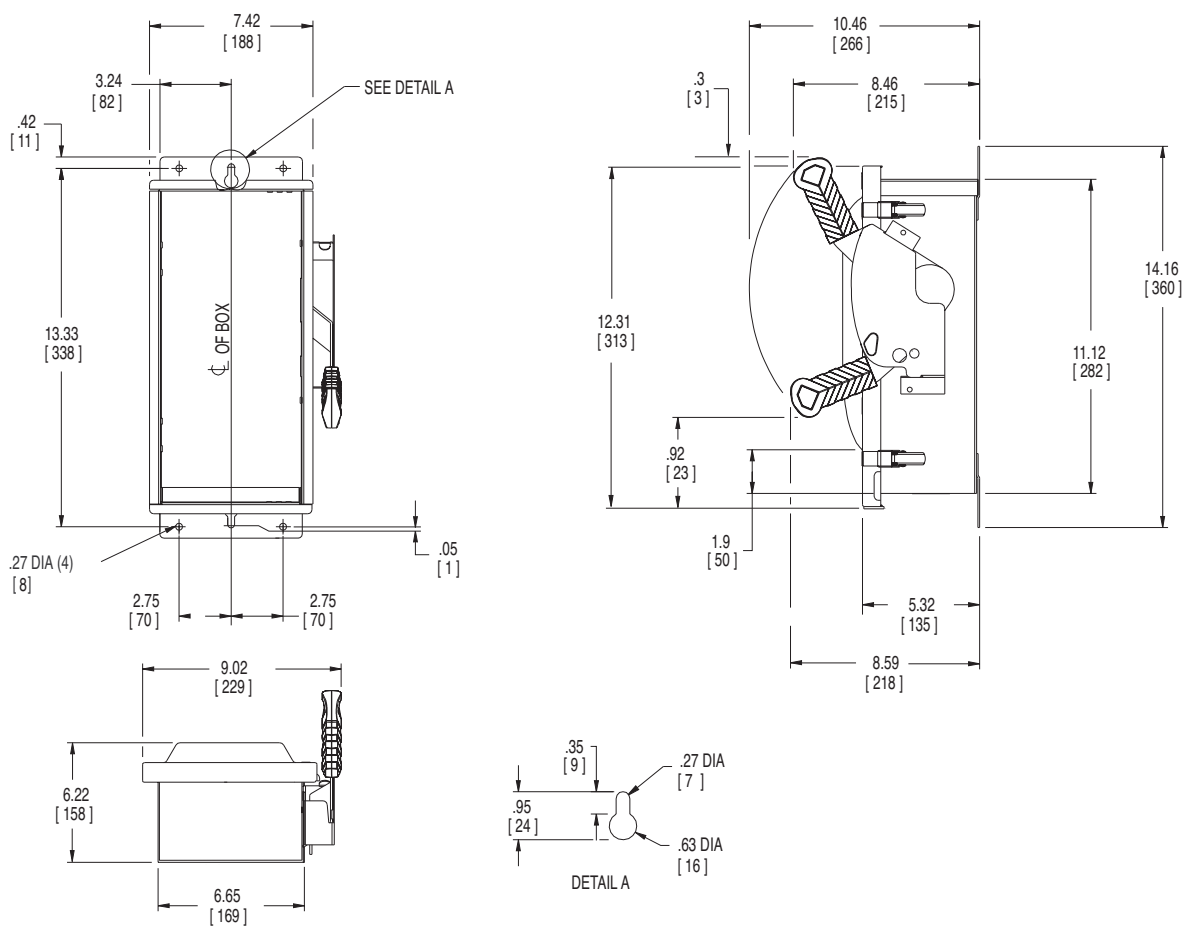
Description	Wire Range
Line	#12-3 AWG (Al) or #14-3 AWG (Cu)
Load, Neutral	#12-2 (Al) #14-2 (Cu)
Ground	#14-4 AWG

Compression Lugs ¹

Wire Size	Burndy		Thomas-Betts		IlSCO	
	CU Only	CU/AL	CU Only	CU/AL	CU Only	CU/AL
#14-10				60096 60097		
#8	YA8C-L BOX YA8C-L1 BOX		54104 54130	60101 60102 61102	CRA-8	ACL-8 ACN-8
#6				61107		

¹ If compression lugs are used for the neutral, order compression lug neutral barrier kit HCL612.

Dimension Drawing



No knockouts in the enclosures.
Dimensions shown in inches and millimeters ().
Dimension shown accurate to ± 1/8 inch.

	LINE SIDE WIRE BEND	LOAD SIDE WIRE BEND
Non-Fused	3.02 (77)	4.11 (104)

Enclosure: 304 Stainless Steel
.055 Thick (17 Gauge)