

# Heavy Duty 4 Pole Safety Switch

## Type VBII, 60 Amp, Type 1 (Indoor) Enclosure

### Standards and Ratings

- UL Listed under file #E4776
- Meets UL98 for switches and UL 50 for enclosures
- Meets NEMA Standard KS-1 for enclosed switches
- Meets NEC wire bending space requirements
- Suitable for use as service equipment
- Rated 10,000 AIC with Class H or 200,000 AIC when used with or protected by Class R or J fuses (fuse ampere rating must not exceed switch ampere rating)

### Features

- Quick-make and break switching action
- Visible blade, double break construction
- Highly visible ON/OFF indication
- Modular design allows quick and easy replacement of parts
- Front removable lugs which can easily be converted to copper body or compression type lugs
- Defeatable dual cover interlock
- All copper current carrying parts <sup>1</sup>
- Tangential knockouts
- Handle is padlockable in OFF position

### General Information

Catalog Number	Max AC Volts	Description	Shipping Weight (lbs.)
HF462 2	600	Fusible, 4 Pole, 4 Wire	40
HNF462		Non-fusible, 4 Pole, 4 Wire	34

### Horsepower Ratings <sup>3</sup>

Catalog Number	240V 2 Ø, 4W		240V 3 Ø		480V 3 Ø		600V 3 Ø		250V
	Std	Max	Std	Max	Std	Max	Std	Max	DC
HF462	7½	20	7½	15	15	30	15	50	10
HNF462	—	20	—	20	—	50	—	60	10

### Accessories

Catalog Number	Description
HA161234	Auxiliary Switch (1-NO & 1 NC)
HA261234	Auxiliary Switch (2-NO & 2 NC)
HA361234	Low Voltage Auxiliary Switch
HG61234	Equipment Ground Lug Kit (factory installed)
HG261234	Isolated Equipment Ground Lug Kit
HP62	Fuse Puller (3 per kit, (2) kits required per switch)
HN623	Neutral Kit
HR62	600 Volt Class R Fuse Clip Kit (3 fuse clips per kit, (2) kits required per switch)
HLC612	Copper Lug Kit (9 lugs per kit)
HCL623	Compression Lug Neutral Barrier Kit

<sup>1</sup> Lugs are aluminum alloy as standard. Optional copper body lugs are available.

<sup>2</sup> Fusible switches accept: Class H fuses as standard or Class R fuses with kit. Catalog number HF462 also accepts Class J fuses (move load base).

<sup>3</sup> Dual horsepower ratings: Std - applies when non-time delay fuses are installed.  
Max - applies when time-delay fuses are installed.

## Product Specification Sheet HD60.15

Answers for industry.

**SIEMENS**

# Product Specification Sheet #HD60.15 (page 2 of 2)

## Replacement Parts

Catalog Number	Description
HFB62	Fusible 600 Volt Line Side Replacement Base (2) kits require per switch
HBB62	Fusible 600 Volt Load Side Replacement Base (2) kits required per switch
HNB623	Non-fusible Replacement Line Base (2) kits required per switch
HH461234	Replacement Handle/Handle Guard
HL612	Replacement Lugs (3 lugs per kit)
HM6123	Replacement Mechanism (2) kits required per switch
1	Replacement Door

## Mechanical Lug Wire Ranges (60/75°C, Cu/Al)

Description	Wire Range
Line, Load Neutral	#12-2 AWG (Al)
Ground	#14-4 AWG

## Compression Lugs (UL listed for field installation) <sup>2</sup>

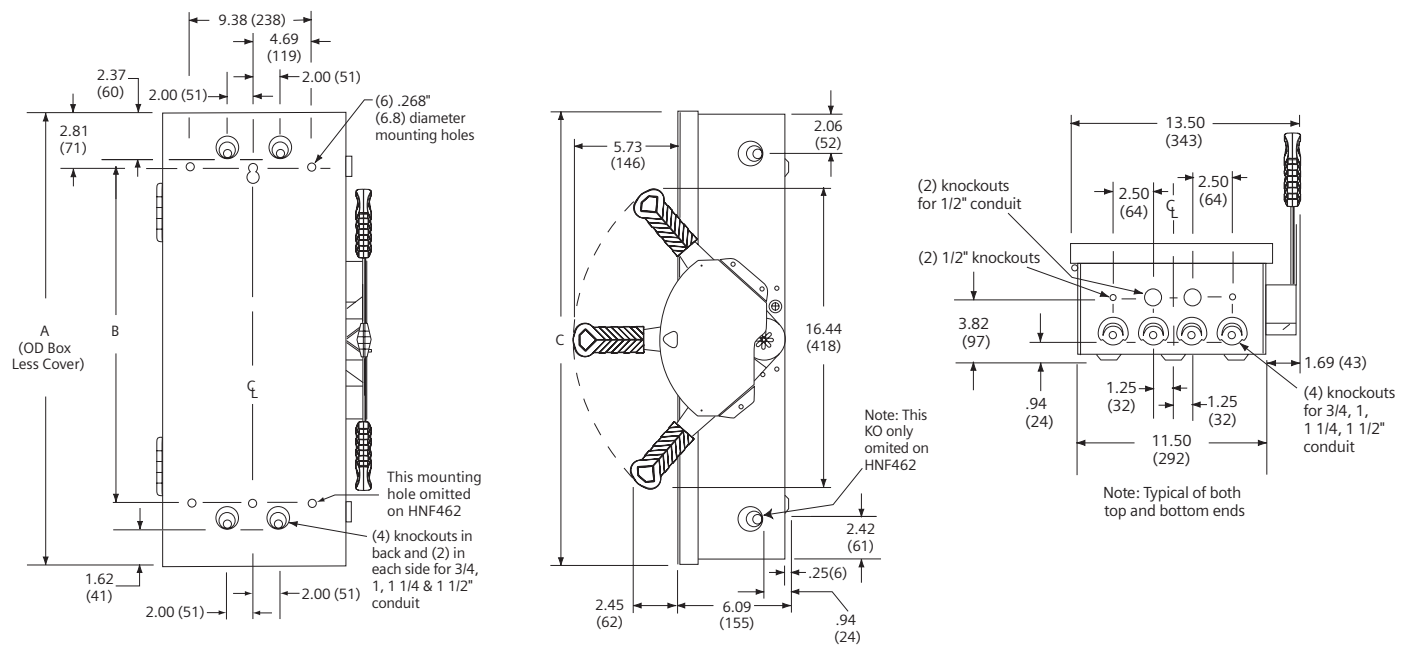
Wire Size	Burndy		Thomas-Betts		Ilco	
	CU Only	CU/AL	CU Only	CU/AL	CU Only	CU/AL
#14-10			256-30695-1352	60097		
#8	YA8C-L1 BOX	YA8CA3	54130	60102		ACL-8
	YA8C-TC14		54930BE	61102		
#6	YA6C-L BOX	YA6CA1	54105	60107	CRB-6	ACL-6
	YA6C		54905BE	61107	CRB-6L	
#4			54106	61112	CRB-4	

## Dimensions and Wire Bending Space

Catalog Number	Dimensions			Wire Bending Space	
	A	B	C	Top	Bottom
HNF462	24.87 (632)	19.00 (483)	25.51 (648)	4.90	4.90
HF462	33.55 (852)	27.50 (699)	34.19 (868)	4.90	7.40

- 1 Catalog number is same as switch catalog number plus "DOOR" suffix.  
 2 If compression lugs are used for the neutral, order compression lug neutral barrier kit HCL612.

## Dimension Drawing



Dimensions shown in inches and millimeters ( ).  
 Dimension shown accurate to ± 1/16 inch.

Enclosure: Cold Rolled Steel .053 Thick (17 Gauge)  
 Finish – ANSI Grey #61 Paint