

# Heavy Duty Double Throw Safety Switch

## Type VBII, 60 Amp, Type 1 (Indoor)

### Standards and Ratings

- UL Listed under file #E4776
- Meets UL98 for switches and UL 50 for enclosures
- Meets NEMA Standard KS-1 for enclosed switches
- Meets NEC wire bending space requirements
- Suitable for use as service equipment
- Rated 10,000 AIC with Class H or 200,000 AIC when used with or protected by Class R or J fuses (fuse ampere rating must not exceed switch ampere rating)

### Features

- Quick-make and break switching action
- Double break visible blade design
- Highly visible ON/OFF indication
- Modular design allows quick and easy replacement of parts
- Front removable lugs which can easily be converted to copper body or compression type lugs
- Defeatable dual cover interlock
- All copper current carrying parts <sup>4</sup>
- Tangential knockouts
- Handle is padlockable in OFF position

### General Information

Catalog Number	Max AC Volts	Description	Shipping Weight (lbs.)
DTF322 1	240	Fusible, 3 Pole, 3 Wire	43
DTF362 1	600	Fusible, 3 Pole, 3 Wire	43
DTNF222	240	Non-fusible, 2 Pole, 2 Wire	35
DTNF322	240	Non-fusible, 3 Pole, 3 Wire	36
DTNF362	600	Non-fusible, 3 Pole, 3 Wire	36

### Horsepower Ratings <sup>2</sup>

Catalog Number	240V 1Ø		240V 3Ø		480V 3Ø		600V 3Ø		250V DC	
	Std	Max	Std	Max	Std	Max	Std	Max	Std	Max
DTF322	3	10	7½	15	—	—	—	—	10	—
DTF362	3	10	7½	15	15	30	15	50	10	—
DTNF222	—	10	—	20	—	—	—	—	—	10
DTNF322	—	10	—	20	—	—	—	—	—	10
DTNF362	—	10	—	20	—	50	—	60	—	10

### Accessories

Catalog Number	Description
HA161234	Auxiliary Switch (1-NO & 1 NC) <sup>3</sup>
HA261234	Auxiliary Switch (2-NO & 2 NC) <sup>3</sup>
HA361234	Low Voltage Auxiliary Switch <sup>3</sup>
HG61234	Equipment Ground Lug Kit (two lugs provided)
HG261234	Isolated Equipment Ground Lug Kit
HP62	Fuse Puller (3 per kit, (2) kits required per switch)
HN263	Neutral Kit
HR612	240 Volt Class R Fuse Clip Kit (3 fuse clips per kit, (2) kits required per switch)
HR62	600 Volt Class R Fuse Clip Kit (3 fuse clips per kit, (2) kits required per switch)
HLC612	Copper Lug Kit (9 lugs per kit) <sup>3</sup>
HCL623	Compression Lug Neutral Barrier Kit

<sup>1</sup> Fusible switches accept: Class H fuses as standard or Class R fuses with kit. Catalog number DTF362 also accepts Class J fuses (move load base).

<sup>2</sup> Dual horse ratings: Std - applies when non-time delay fuses are installed. Max - applies when time-delay fuses are installed.

<sup>3</sup> (2) required per switch (one for each of the two line bases).

<sup>4</sup> Lugs are aluminum alloy as standard. Optional copper body lugs are available.

## Product Specification Sheet HD60.13

Answers for industry.

**SIEMENS**

# Product Specification Sheet #HD60.13 (page 2 of 2)

## Replacement Parts

Catalog Number	Description
HFB22	Fusible 240 Volt Line Side Replacement Base (2) kits required per switch
HBB22	Fusible 240 Volt Load Side Replacement Base (2) kits required per switch
HFB62	Fusible 600 Volt Line Side Replacement Base (2) kits required per switch
HBB62	Fusible 600 Volt Load Side Replacement Base (2) kits required per switch
HNB623	Non-fusible Replacement Line Base (2) kits required per switch
HHD61234	Replacement Handle/Handle Guard
HL612	Replacement Lugs (3 lugs per kit)
HM6123	Replacement Mechanism (2) kits required per switch
1	Replacement Door

## Mechanical Lug Wire Ranges (60/75°C, Cu/Al)

Description	Wire Range
Line, Load Neutral	#12-2 AWG
Ground	#14-4 AWG

- 1 Catalog number is same as switch catalog number plus "DOOR" suffix.
- 2 If compression lugs are used for the neutral, order compression lug neutral barrier kit HCL612.

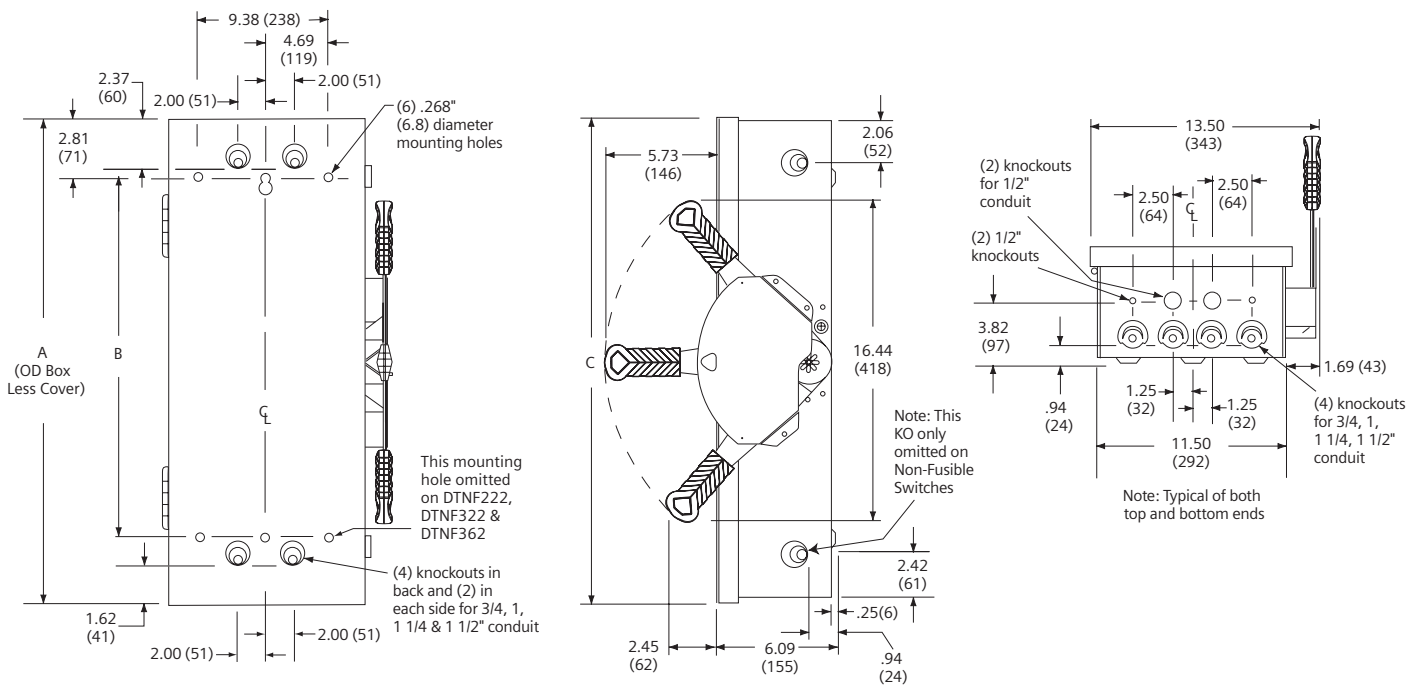
## Compression Lugs (UL listed for field installation) 2

Wire Size	Burndy		Thomas-Betts		IlSCO		
	CU ONLY	CU/AL	CU ONLY	CU/AL	CU ONLY	CU/AL	
#14-10			256-30695-1352	60097			
#8	YA8C-L1 BOX	YA8CA3	54130	60102			ACL-8
	YA8C-TC14		54930BE	61102			
#6	YA6C-L BOX	YA6CA1	54105	60107	CRB-6		ACL-6
	YA6C		54905BE	61107	CRB-6L		
#4			54106	61112	CRB-4		

## Dimensions and Wire Bending Space

Catalog Number	Dimensions		Wire Bending Space		
	A	B	C	Top	Bottom
DTNF222	24.87	19.00	25.51	4.90	4.90
DTNF322	(632)	(483)	(648)		
DTNF362					
DTF322	33.45	27.50	34.19	4.90	7.40
DTF362	(852)	(699)	(868)		4.90

## Dimension Drawing



Dimensions shown in inches and millimeters ( ).  
Dimension shown accurate to  $\pm \frac{1}{8}$  inch.

Enclosure: Cold Rolled Steel .053 Thick (17 Gauge)  
Finish – ANSI Grey #61 Paint