

# General Duty Safety Switch

## Type VBII, 30 Amp, Type 3R (Outdoor)

### Standards and Ratings

- UL Listed under file #E4776
- Meets UL98 for switches and UL50 for enclosures
- Meets NEMA Standard KS-1 for enclosed switches
- Meets NEC wire bending space requirements
- Rated 10,000 AIC with Class H and plug fuses or 100,000 AIC with Class R fuses

- Suitable for use as service entrance equipment

### Features

- Quick-make and break switching action
- Double break visible blade design
- Highly visible ON/OFF indication

### General Information

Catalog Number	Description	Ship. Wt. (lbs.) (Std Pkg)
LF111NR	120V, 1 Phase, 2 Wire, Fusible (Plug Fuse)	35 (10)
LF211NR	120/240V, 1 Phase, 3 Wire, Fusible (Plug Fuse)	35 (10)
GF221NR <sup>1,2</sup>	240V, 1 Phase, 3 Wire, Fusible (Cartridge Fuse)	35 (10)

### Horsepower Ratings<sup>3</sup>

Catalog Number	1 Phase, 2 Wire 120V AC		1 Phase, 2 Wire 240V AC		3 Phase, 3 Wire 240V AC		250V DC
	Std	Max	Std	Max	Std	Max	
LF111NR	½	2	—	—	—	—	—
LF211NR	—	—	1½	3	—	—	—
GF221NR	—	—	1½	3	3	7½	5

### Accessories

Catalog Number	Description
GSRK60	Equipment Ground Kit (Wire Range #14-2 Cu/Al)
W410190	Neutral Kit
GSRK321	Class R Fuse Clip Kit
HA075S	0.75" Type "HA" Outdoor Hub
HA100S	1.00" Type "HA" Outdoor Hub
HA125S	1.25" Type "HA" Outdoor Hub

### Replacement Parts

Catalog Number	Description
W410472A	Replacement Interior 2-Pole Fusible (GF221NR)

### Mechanical Lug Wire Ranges (60/75°C, Cu/Al)

Description	Wire Range
Line, Load, Neutral	#14-6 AWG or #14-8 AWG

<sup>1</sup> These switches are UL Listed for application on grounded B phase systems.

<sup>2</sup> Suitable for 3-pole motor loads.

<sup>3</sup> Dual horsepower ratings: Std - applies when non-time delay fuses are installed.  
Max - applies when time-delay fuses are installed.

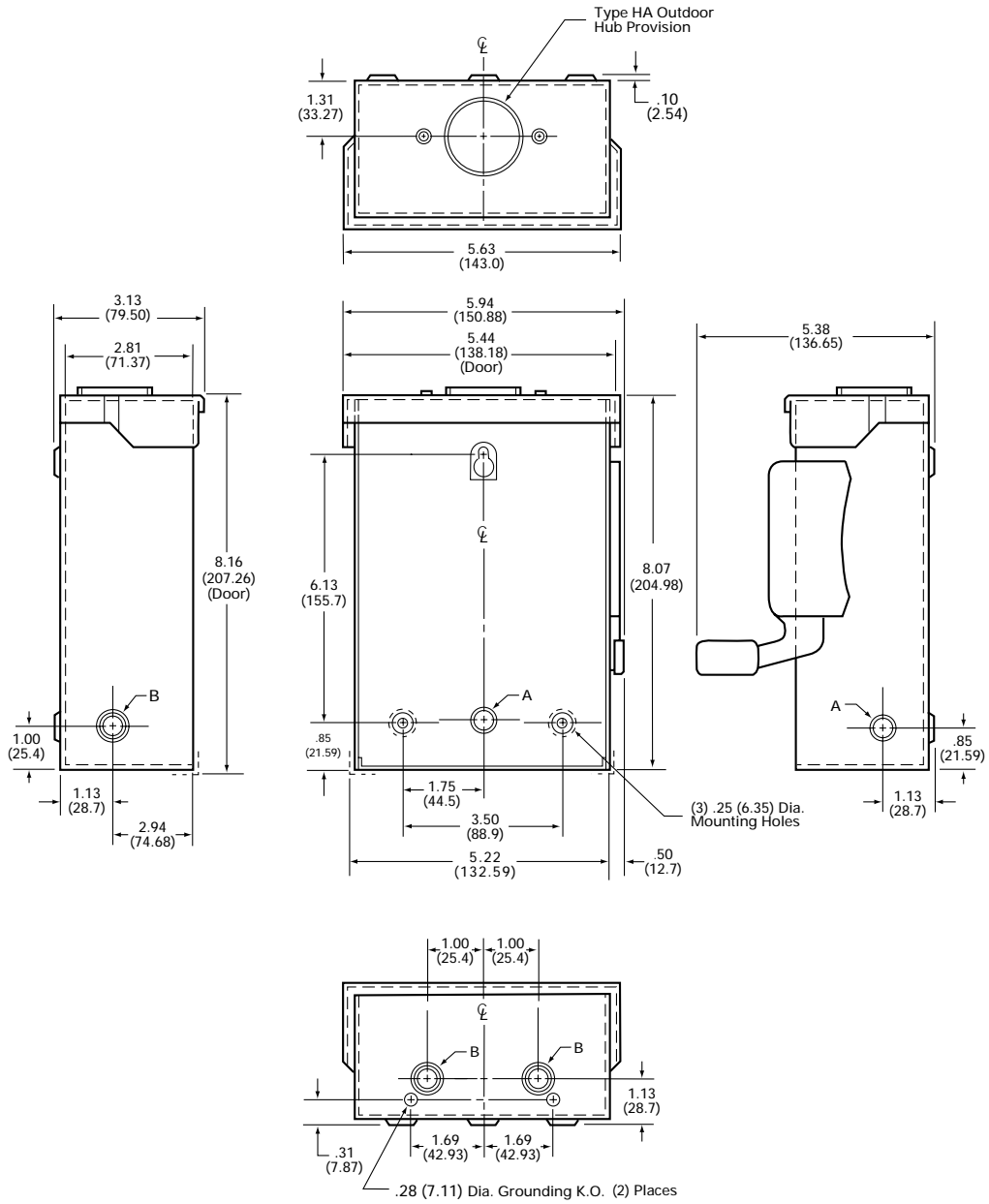
## Product Specification Sheet GD30.3

Answers for industry.

**SIEMENS**

# Product Specification Sheet #GD30.3 (page 2 of 2)

## Dimension Drawing



Dimensions shown in inches and millimeters ( ).  
Dimension shown accurate to  $\pm \frac{1}{8}$  inch.  
Note: Handle shown on front and right hand views only.

KNOCKOUT CODE	CONDUIT SIZE		
A (Concentric)	.50	.75	
B (Concentric)	.50	.75	1.00

	LINE SIDE WIRE BEND	LOAD SIDE WIRE BEND
Fused	2.00 (51)	1.50 (38)

Enclosure: Galvanized Steel  
.048 Thick (18 Gauge)  
Finish: ANSI Grey #61 Paint