

# General Duty Safety Switch

## Type VBII, 60 Amp, 240 Volts, Type 3R (Outdoor)

### Standards and Ratings

- UL Listed under file #E4776
- Meets UL98 for switches and UL50 for enclosures
- Meets NEMA Standard KS-1 for enclosed switches
- Meets NEC wire bending space requirements
- Rated 10,000 AIC

- Suitable for use as service entrance equipment

### Features

- Quick-make and break switching action
- Double break visible blade design
- Highly visible ON/OFF indication

### General Information

Catalog Number	Description	Ship. Wt. (lbs.) (Std Pkg)
LNF222R	1 Phase, 2 Pole, 2 Wire, Non-Fusible (Special Application)	35 (10)

### Horsepower Ratings <sup>1</sup>

Catalog Number	1 Phase, 2 Wire, 240V AC		3 Phase, 3 Wire, 240V AC		250V DC
	Std	Max	Std	Max	
LNF222R	—	10	—	—	—

### Accessories

Catalog Number	Description
GSGK60 <sup>2</sup>	Equipment Ground Kit (Wire Range #14-2 Cu/Al)

### Mechanical Lug Wire Ranges (60/75°C, Cu/Al)

Description	Wire Range
Line, Load	#14-3 AWG

**Note:** This device is designed for bottom cable entry and exit only (No Hub provision.)

<sup>1</sup> Dual horsepower ratings: Std - applies when non-time delay fuses are installed.

Max - applies when time-delay fuses are installed.

<sup>2</sup> Supplied as standard with the switch.

## Product Specification Sheet GD60.5

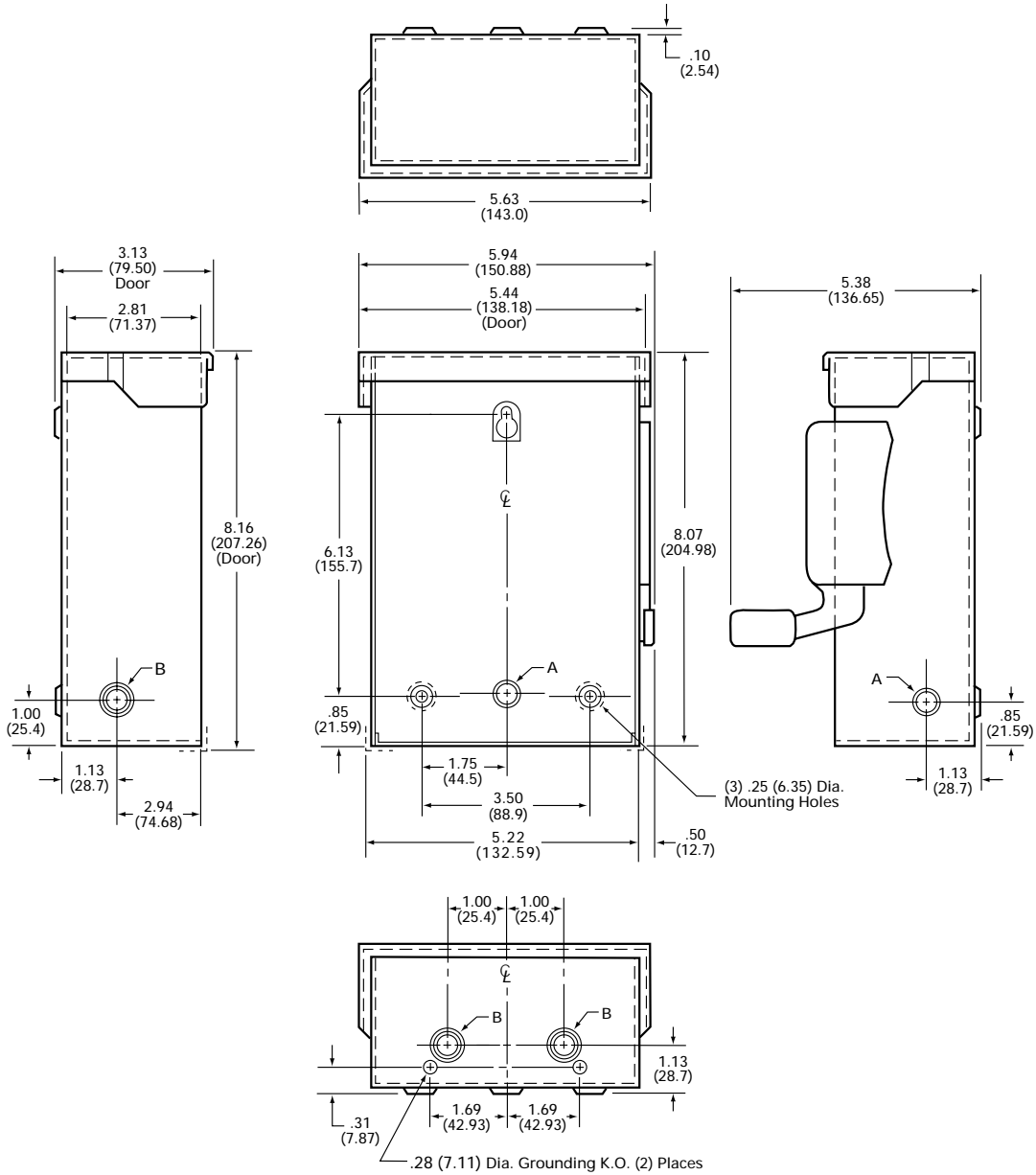
Answers for industry.

**SIEMENS**

# Product Specification Sheet #GD60.5 (page 2 of 2)

## Dimension Drawing

Note: No Hub Provision



Dimensions shown in inches and millimeters ( ).  
Dimension shown accurate to  $\pm \frac{1}{8}$  inch.  
Note: Handle shown on front and right hand views only.

KNOCKOUT CODE	CONDUIT SIZE	
	.50	.75
A (Concentric)	.50	.75
B (Concentric)	.50	.75
		1.00

LINE SIDE WIRE BEND	LOAD SIDE WIRE BEND
3.00 (76)	3.00 (76)

Enclosure: Galvanized Steel  
.048 Thick (19 Gauge)  
Finish: ANSI Grey #61 Paint