

# General Duty Safety Switch

## Type VBII, 600 Amp, 240 Volts, Type 1 (Indoor)

### Standards and Ratings

- UL Listed under file #E4776
- Meets UL98 for switches and UL50 for enclosures
- Meets NEMA Standard KS-1 for enclosed switches
- Meets NEC wire bending space requirements
- Rated 10,000 AIC as standard or 100,000 AIC when protected by Class R, T or J fuses rated 600 amp maximum

- Suitable for use as service entrance equipment

### Features

- Quick-make and break switching action
- Visible blade design
- Highly visible ON/OFF indication
- Modular design allows quick and easy replacement of parts
- Single cover interlock

### General Information

| Catalog Number | Description                 | Shipping Weight (lbs.) |
|----------------|-----------------------------|------------------------|
| GNF326         | 3 Pole, 3 Wire, Non-Fusible | 116                    |

### Horsepower Ratings<sup>1</sup>

| Catalog Number | 1 Phase, 3 Wire, 240V AC |     | 3 Phase, 3 Wire, 240V AC |     | 250V DC |
|----------------|--------------------------|-----|--------------------------|-----|---------|
|                | Std                      | Max | Std                      | Max |         |
| GNF326         | —                        | 15  | —                        | 200 | 50      |

### Accessories

| Catalog Number | Description              |
|----------------|--------------------------|
| HG656          | Equipment Ground Lug Kit |
| HN656          | Neutral Kit              |

### Replacement Parts

| Catalog Number       | Description                     |
|----------------------|---------------------------------|
| HNB66 <sup>2 3</sup> | Non-Fusible Replacement Base    |
| HH65678              | Replacement Handle/Handle Guard |
| HM66                 | Replacement Mechanism           |
| HL65678 <sup>3</sup> | Replacement Lug (1 lug per kit) |

### Mechanical Lug Wire Ranges (60/75°C, Cu/Al)

| Description | Wire Range                    |
|-------------|-------------------------------|
| Line, Load  | (2) 1/0 AWG - 750 Kcmil       |
| Neutral     | or<br>(4) 1/0 AWG - 250 Kcmil |
| Ground      | (2) #6 AWG - 300 Kcmil        |

<sup>1</sup> Dual horsepower ratings: Std - applies when non-time delay fuses are installed.

Max - applies when time-delay fuses are installed.

<sup>2</sup> Replacement Base contains one pole.

<sup>3</sup> Lugs are not provided on the Replacement Base Assembly. Order Lug Kit.

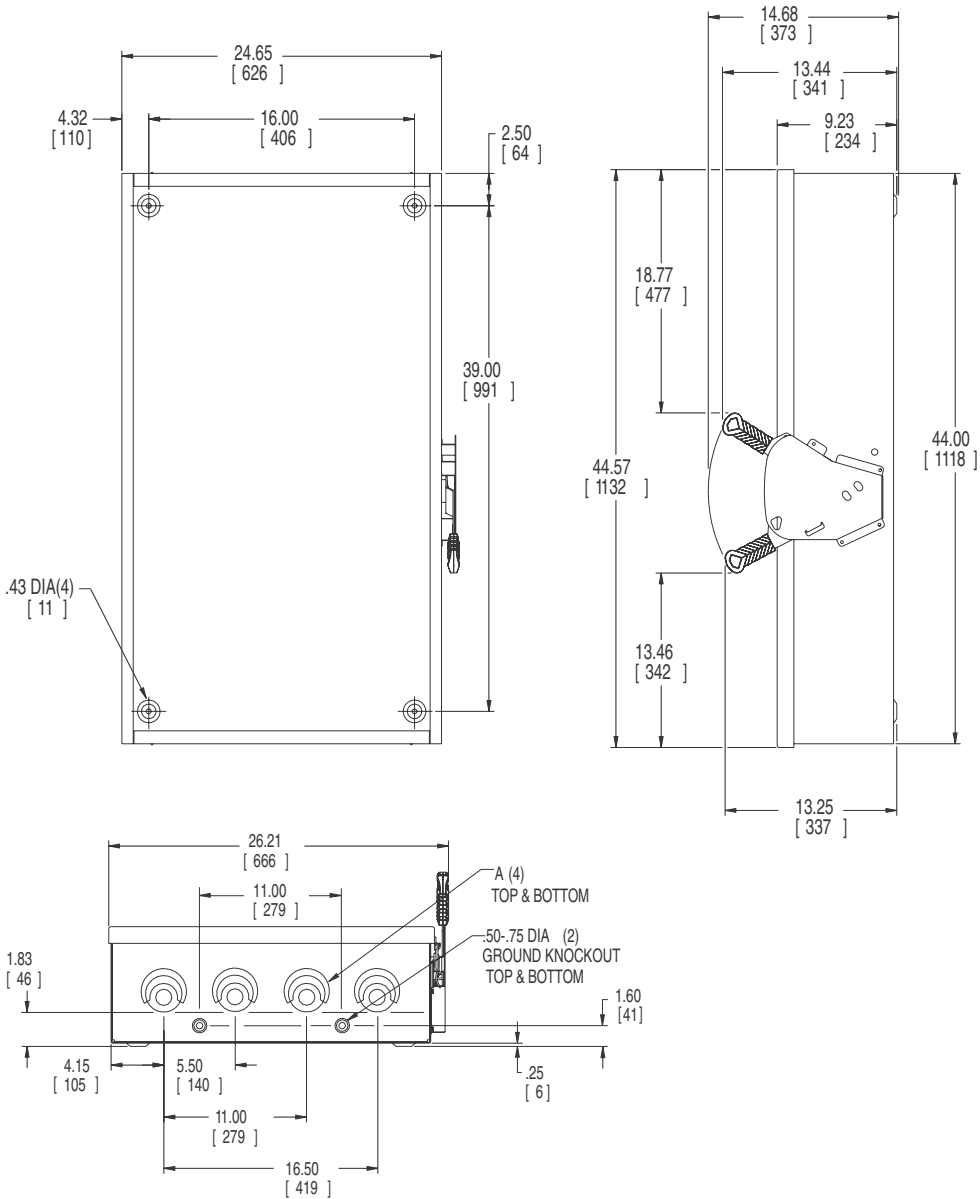
## Product Specification Sheet GD600.2

Answers for industry.

**SIEMENS**

# Product Specification Sheet #GD600.2 (page 2 of 2)

## Dimension Drawing



Dimensions shown in inches and millimeters ( ).  
Dimension shown accurate to  $\pm \frac{1}{16}$  inch.

| KNOCKOUT CODE  | CONDUIT SIZE |      |      |      |
|----------------|--------------|------|------|------|
|                | 2.00         | 2.50 | 3.00 | 3.50 |
| A (Tangential) |              |      |      |      |

|  | LINE SIDE WIRE BEND | LOAD SIDE WIRE BEND |
|--|---------------------|---------------------|
|  | Non-Fused           | 17.35 (441)         |

Enclosure: Cold Rolled Steel  
.075 Thick (14 Gauge)  
Finish: ANSI Grey #61 Paint