

General Duty Safety Switch

Type VBII, 600 Amp, 240 Volts, Type 3R (Outdoor)

Standards and Ratings

- UL Listed under file #E4776
- Meets UL98 for switches and UL50 for enclosures
- Meets NEMA Standard KS-1 for enclosed switches
- Meets NEC wire bending space requirements
- Rated 10,000 AIC with Class H fuses or 100,000 AIC with Class R, J and T fuses

- Suitable for use as service entrance equipment

Features

- Quick-make and break switching action
- Visible blade design
- Highly visible ON/OFF indication
- Modular design allows quick and easy replacement of parts
- Single cover interlock

General Information

Catalog Number	Description	Shipping Weight (lbs.)
GF226NR ¹	2 Pole, 3 Wire, Fusible	159
GF326NR	3 Pole, 4 Wire, Fusible	165

Horsepower Ratings ²

Catalog Number	1 Phase, 3 Wire, 240V AC		3 Phase, 3 Wire, 240V AC		250V DC
	Std	Max	Std	Max	
GF226NR	15	15	75	200	50
GF326NR	15	15	75	200	50

Accessories

Catalog Number	Description
HG656	Equipment Ground Lug Kit
HN656	Neutral Kit
HR656	Class R Fuse Clip Kit (3 fuse clips per kit)
ECHV250	2.50" Type "HV" Outdoor Hub
ECHV300	3.00" Type "HV" Outdoor Hub
ECHV350	3.50" Type "HV" Outdoor Hub
ECHV400	4.00" Type "HV" Outdoor Hub

Replacement Parts

Catalog Number	Description
HFB66 ^{3 4}	Fusible Line Side Replacement Base
HBB656 ^{3 4}	Fusible Load Side Replacement Base
HH65678	Replacement Handle/Handle Guard
HM66	Replacement Mechanism
HL65678 ⁴	Replacement Lug (1 lug per kit)

Mechanical Lug Wire Ranges (60/75°C, Cu/Al)

Description	Wire Range
Line, Load	(2) 1/0 AWG - 750 Kcmil or
Neutral	(4) 1/0 AWG - 250 Kcmil
Ground	(2) #6 AWG - 300 Kcmil

¹ These switches are UL Listed for application on grounded B phase systems.

² Dual horsepower ratings: Std - applies when non-time delay fuses are installed.

Max - applies when time-delay fuses are installed.

³ Each Line and Load Replacement Base contains one pole.

⁴ Lugs are not provided on Line and Load Replacement Base Assemblies. Order Lug Kit.

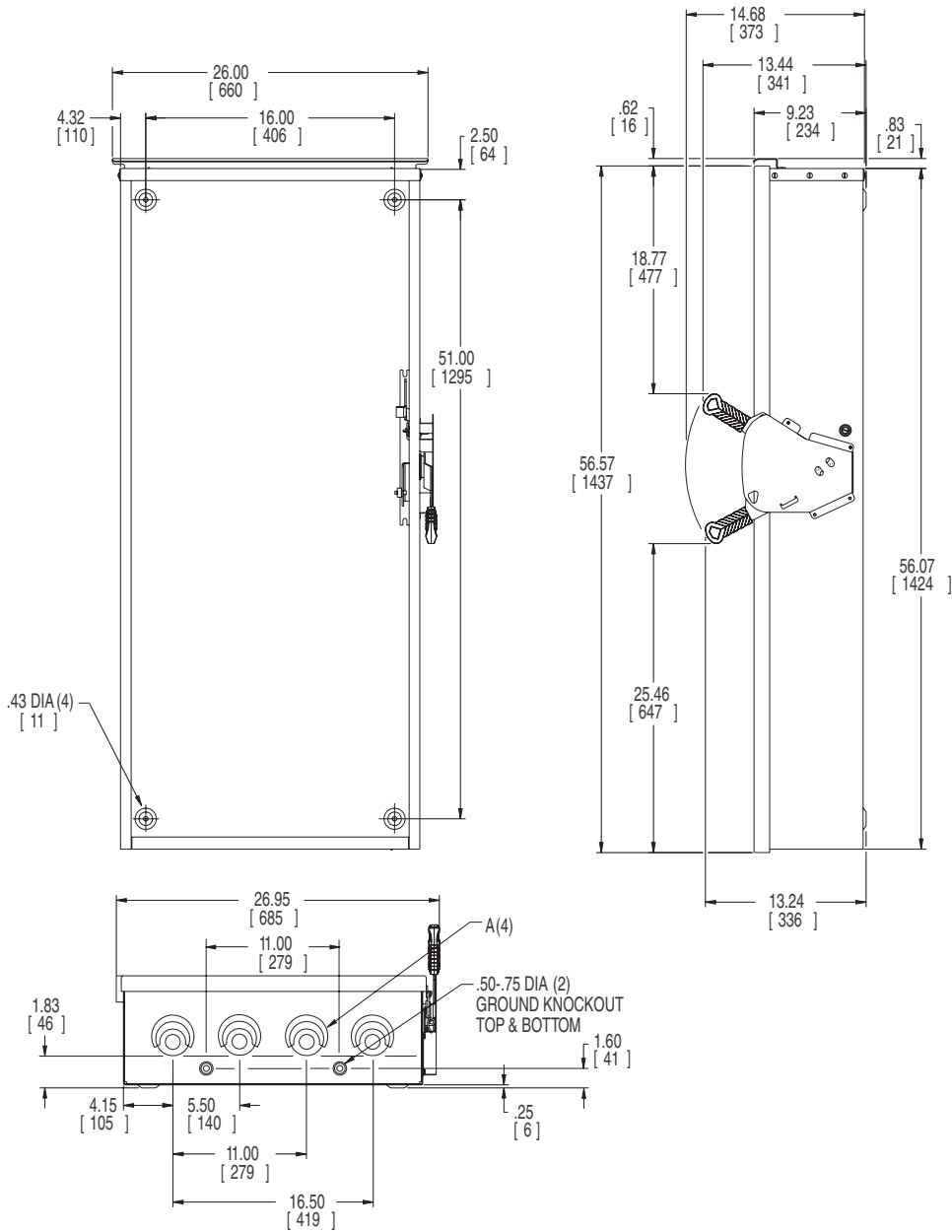
Product Specification Sheet GD600.3

Answers for industry.

SIEMENS

Product Specification Sheet #GD600.3 (page 2 of 2)

Dimension Drawing



Dimensions shown in inches and millimeters ().
Dimension shown accurate to $\pm \frac{1}{8}$ inch.

KNOCKOUT CODE	CONDUIT SIZE			
	2.00	2.50	3.00	3.50
A (Tangential)				

	LINE SIDE WIRE BEND	LOAD SIDE WIRE BEND
Fused	17.35 (441)	19.72 (501)

Enclosure: Galvanized Steel
.075 Thick (14 Gauge)
Finish: ANSI Grey #61 Paint