

General Duty Safety Switch

Type VBII, 60 Amp, 240 Volts, Type 1 (Indoor)

Standards and Ratings

- UL Listed under file #E4776
- Meets UL98 for switches and UL 50 for enclosures
- Meets NEMA Standard KS-1 for enclosed switches
- Meets NEC wire bending space requirements
- Rated 10,000 AIC with Class H fuses or 100,000 AIC with Class R fuses
- Suitable for use as service entrance equipment

Features

- Quick-make and break switching action
- Double break visible blade design
- Highly visible ON/OFF indication
- Rugged installer friendly enclosure design
- Modular design allows quick and easy replacement of parts
- Single cover interlock

General Information

Catalog Number	Description	Shipping Weight (lbs.)
GF222N ¹	2 Pole, 3 Wire, Fusible	14
GF322N	3 Pole, 4 Wire, Fusible	15

Horsepower Ratings ²

Catalog Number	1 Phase, 3 Wire, 240V AC		3 Phase, 3 Wire, 240V AC		250V DC
	Std	Max	Std	Max	
GF222N	3	10	7½	15	10
GF322N	3	10	7½	15	10

Accessories

Catalog Number	Description
HG61234	Equipment Ground Lug Kit
HN612	Neutral Kit
HR612	Class R Fuse Clip Kit (3 fuse clips per kit)

Replacement Parts

Catalog Number	Description
HFB612	Fusible Line Side Replacement Base
HBB612	Fusible Load Side Replacement Base
GH223	Replacement Handle/Handle Guard
HM6123	Replacement Mechanism
HL612	Replacement Lugs (3 lugs per kit)

Mechanical Lug Wire Ranges (60/75°C, Cu/Al)

Description	Wire Range
Line, Load	#12-3 AWG (Al)
Neutral	or
	#14-3 AWG (Cu)
Ground	#14-4 AWG

¹ These switches are UL Listed for application on grounded B phase systems.

² Dual horsepower ratings: Std - applies when non-time delay fuses are installed.
Max - applies when time-delay fuses are installed.

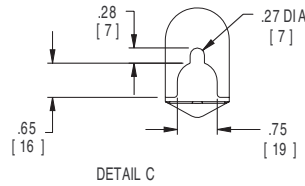
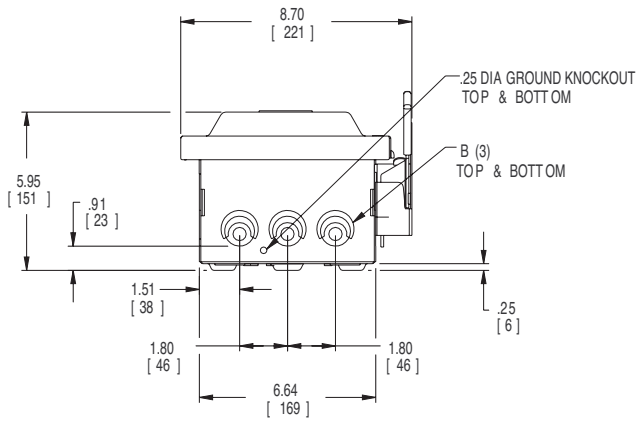
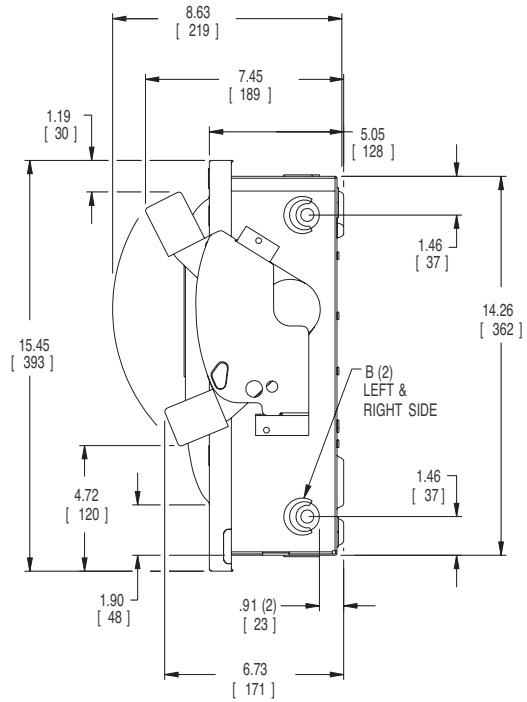
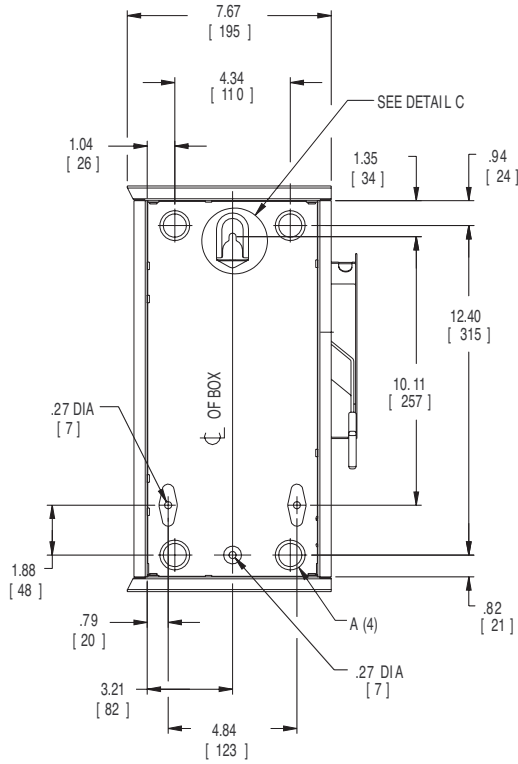
Product Specification Sheet GD60.1

Answers for industry.

SIEMENS

Product Specification Sheet #GD60.1 (page 2 of 2)

Dimension Drawing



Dimensions shown in inches and millimeters ().
Dimension shown accurate to ± 1/16 inch.

KNOCKOUT CODE	CONDUIT SIZE		
A (Concentric)	.75	1.00	
B (Tangential)	.50	.75	1.00

	LINE SIDE WIRE BEND	LOAD SIDE WIRE BEND
Fused	3.02 (77)	4.61 (117)

Enclosure: Cold Rolled Steel
.054 Thick (17 Gauge)
Finish: ANSI Grey #61 Paint