

General Duty Safety Switch

Type VBII, 400 Amp, 240 Volts, Type 1 (Indoor)

Standards and Ratings

- UL Listed under file #E4776
- Meets UL98 for switches and UL 50 for enclosures
- Meets NEMA Standard KS-1 for enclosed switches
- Meets NEC wire bending space requirements
- Rated 10,000 AIC as standard or 100,000 AIC when protected by Class R, T or J fuses rated 400 amp maximum

- Suitable for use as service entrance equipment

Features

- Quick-make and break switching action
- Visible blade design
- Highly visible ON/OFF indication
- Modular design allows quick and easy replacement of parts
- Single cover interlock

General Information

Catalog Number	Description	Shipping Weight (lbs.)
GNF325	3 Pole, 3 Wire, Non-Fusible	114

Horsepower Ratings ¹

Catalog Number	1 Phase, 3 Wire, 240V AC		3 Phase, 3 Wire, 240V AC		250V DC
	Std	Max	Std	Max	
GNF325	—	15	—	125	50

Accessories

Catalog Number	Description
HG656	Equipment Ground Lug Kit
HN656	Neutral Kit

Replacement Parts

Catalog Number	Description
HNB65 ^{2 3}	Non-Fusible Replacement Base
HH65678	Replacement Handle/Handle Guard
HM65	Replacement Mechanism
HL65678 ³	Replacement Lug (1 lug per kit)

Mechanical Lug Wire Ranges (60/75°C, Cu/Al)

Description	Wire Range
Line, Load	1/0 AWG - 750 Kcmil
Neutral	or (2) 1/0 AWG - 250 Kcmil
Ground	(2) #6 AWG - 300 Kcmil

¹ Dual horsepower ratings: Std - applies when non-time delay fuses are installed.

Max - applies when time-delay fuses are installed.

² Replacement Base contains one pole.

³ Lugs are not provided on the Replacement Base Assembly. Order Lug Kit.

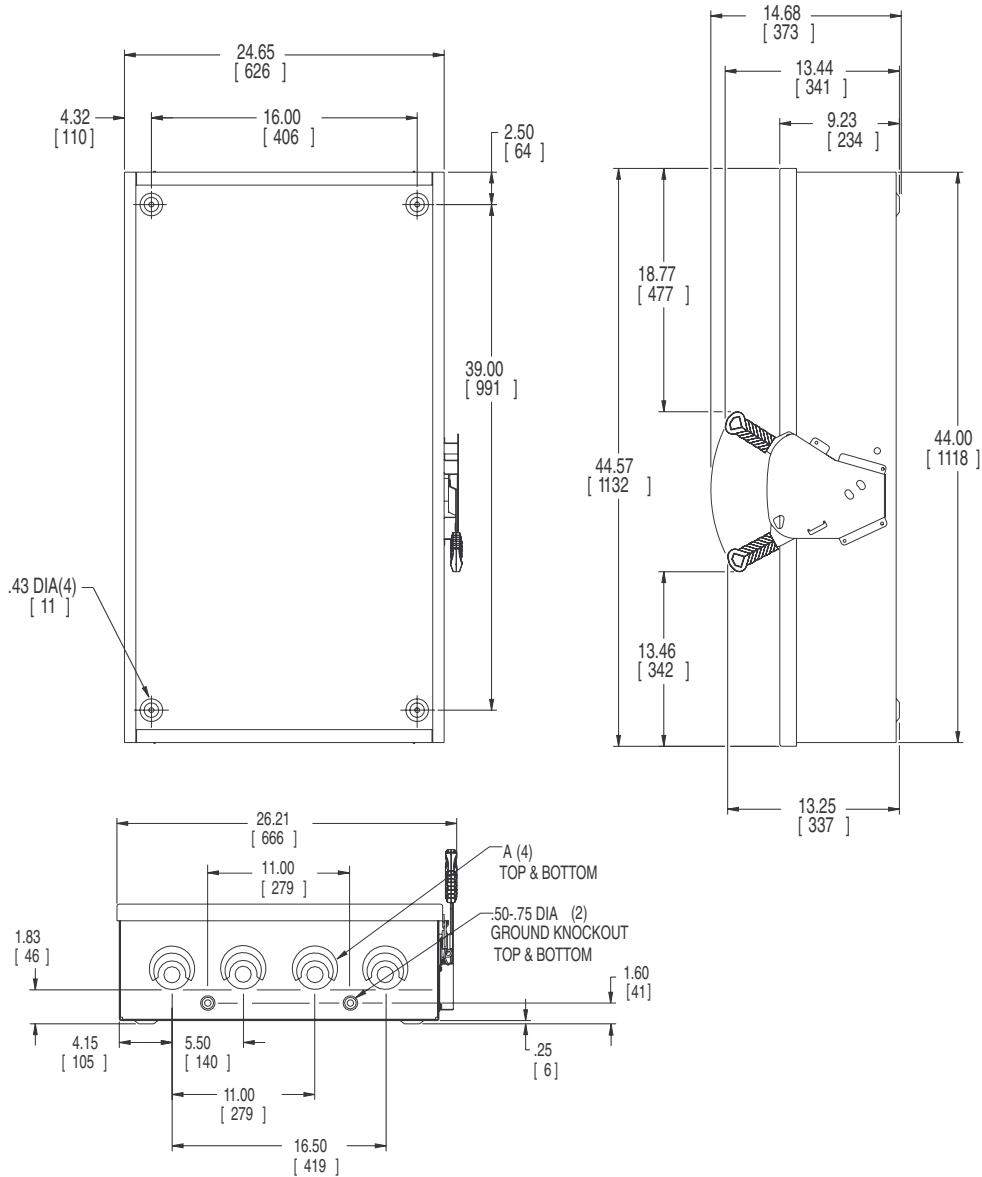
Product Specification Sheet GD400.2

Answers for industry.

SIEMENS

Product Specification Sheet #GD400.2 (page 2 of 2)

Dimension Drawing



Dimensions shown in inches and millimeters ().
Dimension shown accurate to $\pm \frac{1}{8}$ inch.

KNOCKOUT CODE	CONDUIT SIZE			
	2.00	2.50	3.00	3.50
A (Tangential)				

	LINE SIDE WIRE BEND	LOAD SIDE WIRE BEND
	Non- Fused	17.35 (441)

Enclosure: Cold Rolled Steel
.075 Thick (14 Gauge)
Finish: ANSI Grey #61 Paint