

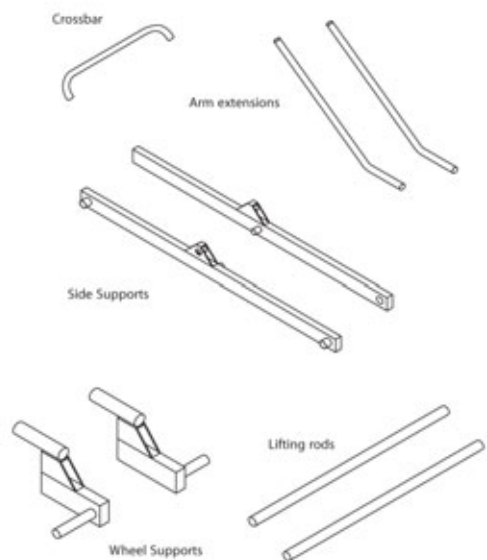
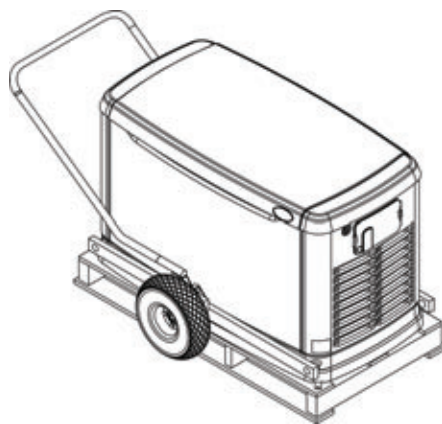
Generator Transport Cart

Air-Cooled Generator Sets

Catalog No. GENCART

Description

The Generator Transport Cart is designed to allow a single individual to move and position any of the air-cooled generators without the need for additional people or equipment. By attaching the cart to the generator through the lifting holes, the generator is lifted from the pallet by leverage and is easily wheeled to the appropriate location for final setting.



Data Sheet

Answers for industry.

SIEMENS

Siemens Industry, Inc.
Building Technologies Division
5400 Triangle Parkway
Norcross, GA 30092

1-800-964-4114
info.us@siemens.com

©2009 Siemens Industry, Inc.
All Rights Reserved. Siemens is a registered
trademark of Siemens AG. Product names
mentioned may be trademarks or registered
trademarks of their respective companies.
Specifications are subject to change without
notice.

RPFL-GTC01-1108

www.usa.siemens.com/generators