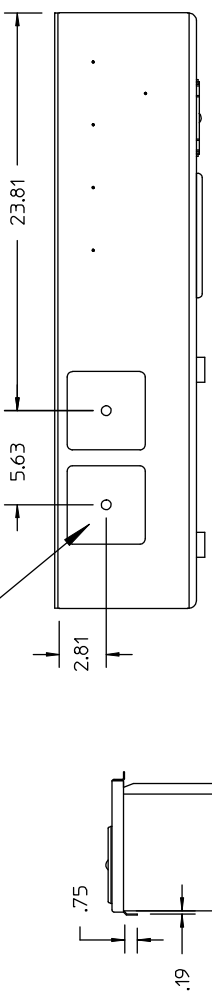


METER SOCKET COVER	NO. OF JAWS	FACTORY INSTALLED BYPASS	MAIN BUS RATING	BRANCH RATING	NO. OF POSITIONS	CATALOG NUMBER	SEMI-FLUSH MOUNTING KIT NO.	LINE LUG WIRE SIZES (AWG/KCMIL)		BRANCH LUG WIRE SIZES (AWG-KCMIL)
								PHASE AND NEUTRAL	GROUNDING ELECTRODE	
RING-TYPE	4	NONE	600A	200A	4	SP6412	MUNSK600	(2) #2 - 600 CU-AI	#6 - 250	#12 - 2/0
RINGLESS	5	NONE	600A	200A	4	SP6412RJ	MUSP642FK			

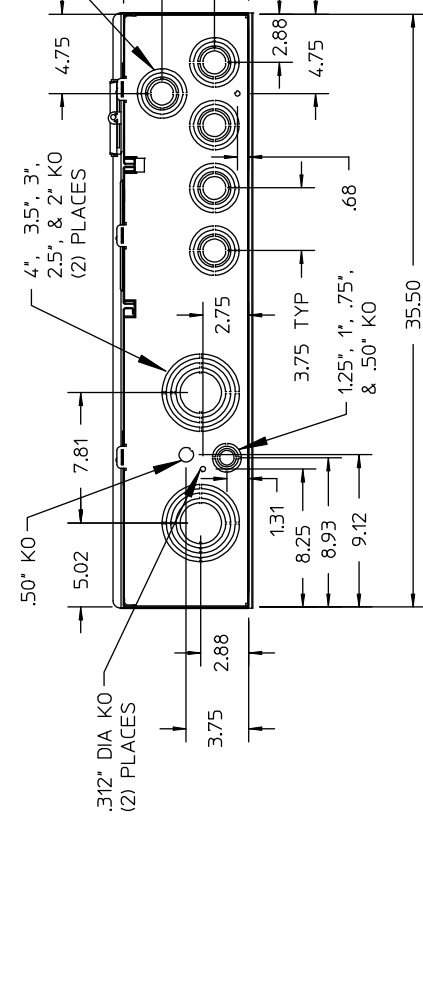
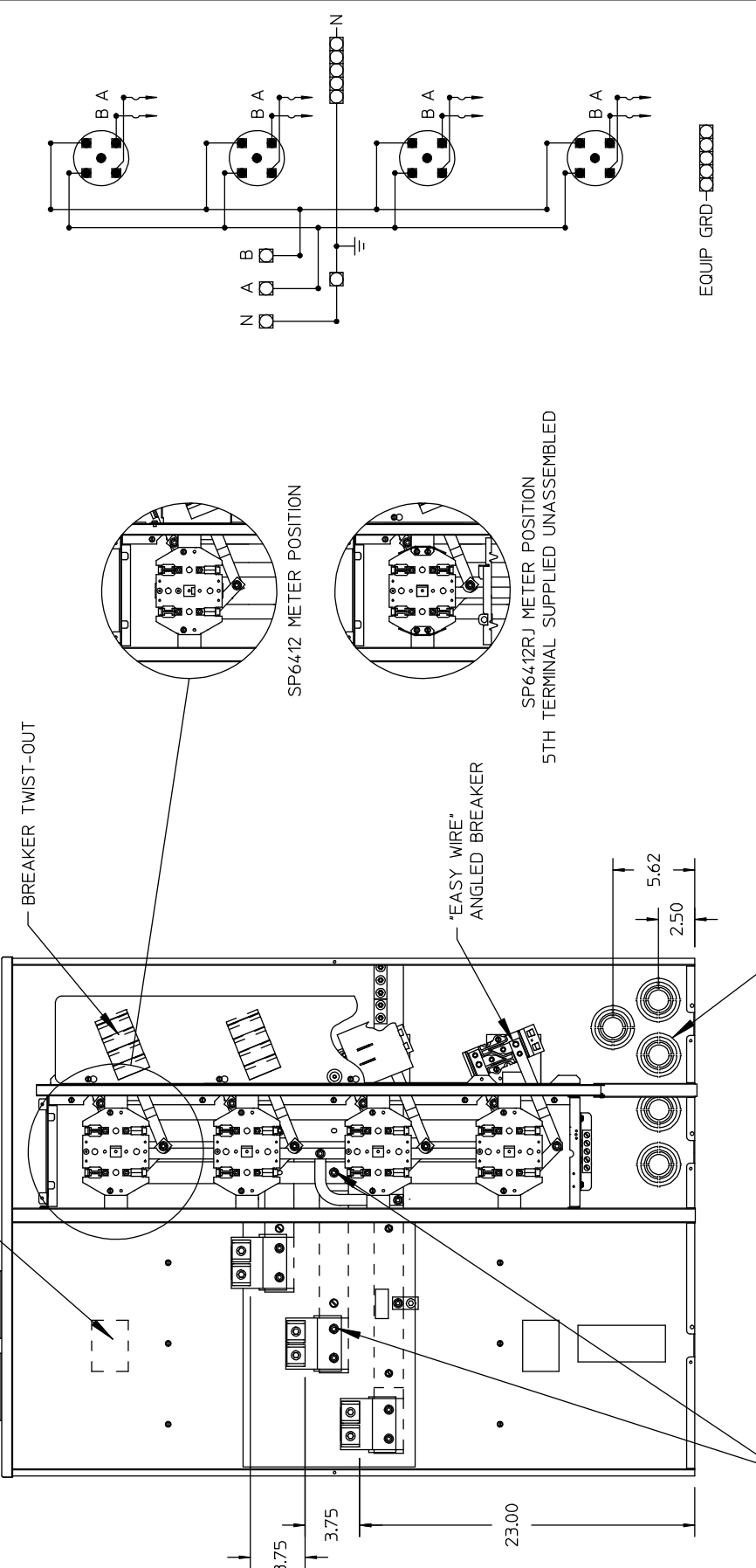
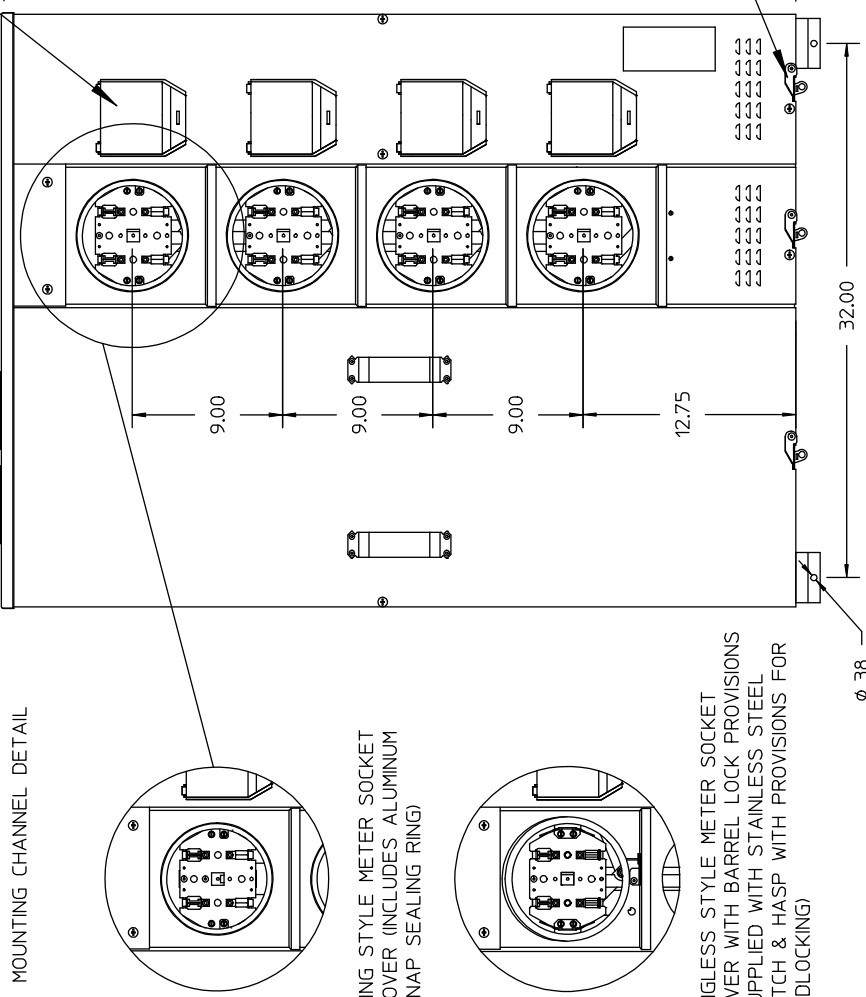
IF HUB IS REQUIRED THE CATALOG NOS. LISTED BELOW MAY BE USED

3".....S56856-2
 3-1/2".....S56857-2
 4".....S56858-2
 Cover Plate.....S56933

REMOVABLE HUB PLATE COVERING GASKETLESS HD TYPE HUB OPENING (INTERIOR RETAINING CHANNEL TYPE FOR MAX 4" CONDUIT)
 (2) PLACES



TENANT BREAKER COVERS (PADLOCKABLE)



BOLTED MAIN CONNECTION

2.5", 2", 1.5", 1.25", & 1" KO'S (5) PLACES

FRONT VIEW WITH COVERS REMOVED

UNLESS OTHERWISE SPECIFIED DIMENSIONS ARE IN INCHES		DATE 4/09/2007	
TOLERANCES:	XX	CHK	DATE
	XXX	APVD	DATE
HOLE DIAMETER		DWN	BDD
ANGULAR		CHK	DATE
UNDIMENSIONED 90° ANGLES		APVD	DATE
-CONFIDENTIAL-PROPERTY OF Siemens Energy & Automation, Inc. Residential Products Division		SIZE	REV
UNI-PAK/ALL-IN-ONE METERING EQUIPMENT NEMA TYPE 3R ENCLOSURE 600A MAXIMUM TENANT CIRCUIT BREAKERS		B	SP6412X
		ISSUE RELEASE NO.	DWG NO.
		DO NOT SCALE DRAWING	SHEET 1 OF 1

- NOTES:
1. FINISH: ANSI 61 GRAY BAKED POWDER COAT PAINT OVER G-90 GALVANIZED, PHOSPHATIZED STEEL
 2. UL LISTED - FILE E10703
 3. SUITABLE ONLY FOR USE AS SERVICE EQUIPMENT
 4. SHORT CIRCUIT CURRENT RATING OF METER CENTER IS EQUAL TO THE RATING OF THE LOWEST INSTALLED TENANT SERVICE DISCONNECT.
 5. MAIN CONNECTION POINTS RIGIDLY BOLTED WITH BOLT THAT HAS A MINIMUM MAJOR DIAMETER EQUAL TO OR GREATER THAN BUS THICKNESS WITH A CONICAL/SRING WASHER AND HEX NUT.
 6. ON "RJ" SUFFIX ENCLOSURES IDENTIFICATION LABEL AND INSTALLATION LABEL FOR INSTALLING 5TH TERMINAL ATTACHED AT THESE LOCATIONS.