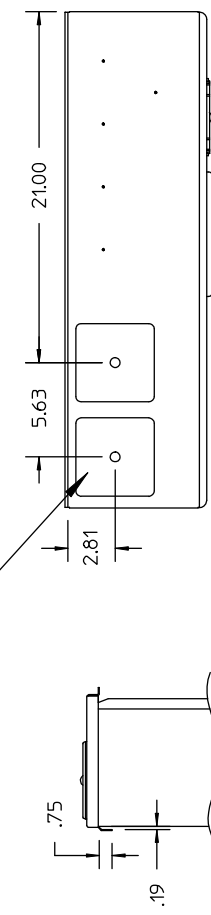


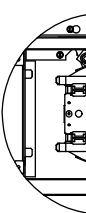
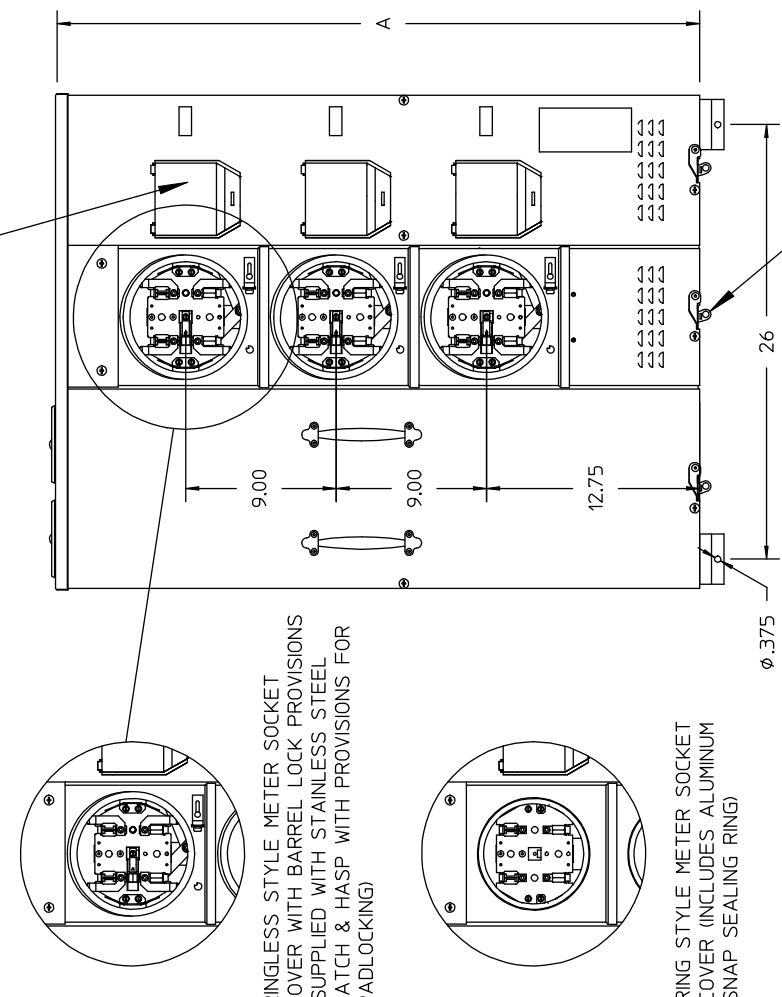
IF HUB IS REQUIRED THE CATALOG NOS. LISTED BELOW MAY BE USED

3'-1/2"S56856-2
 4"S56857-2
 Cover Plate.....S56858-2
 S56933

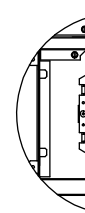


REMOVABLE HUB PLATE COVERING GASKETLESS HD TYPE HUB OPENING (INTERIOR RETAINING CHANNEL TYPE FOR MAX 4" CONDUIT) (2) PLACES

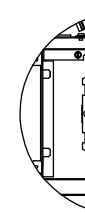
MOUNTING CHANNEL DETAIL



SP4_12RJ METER POSITION



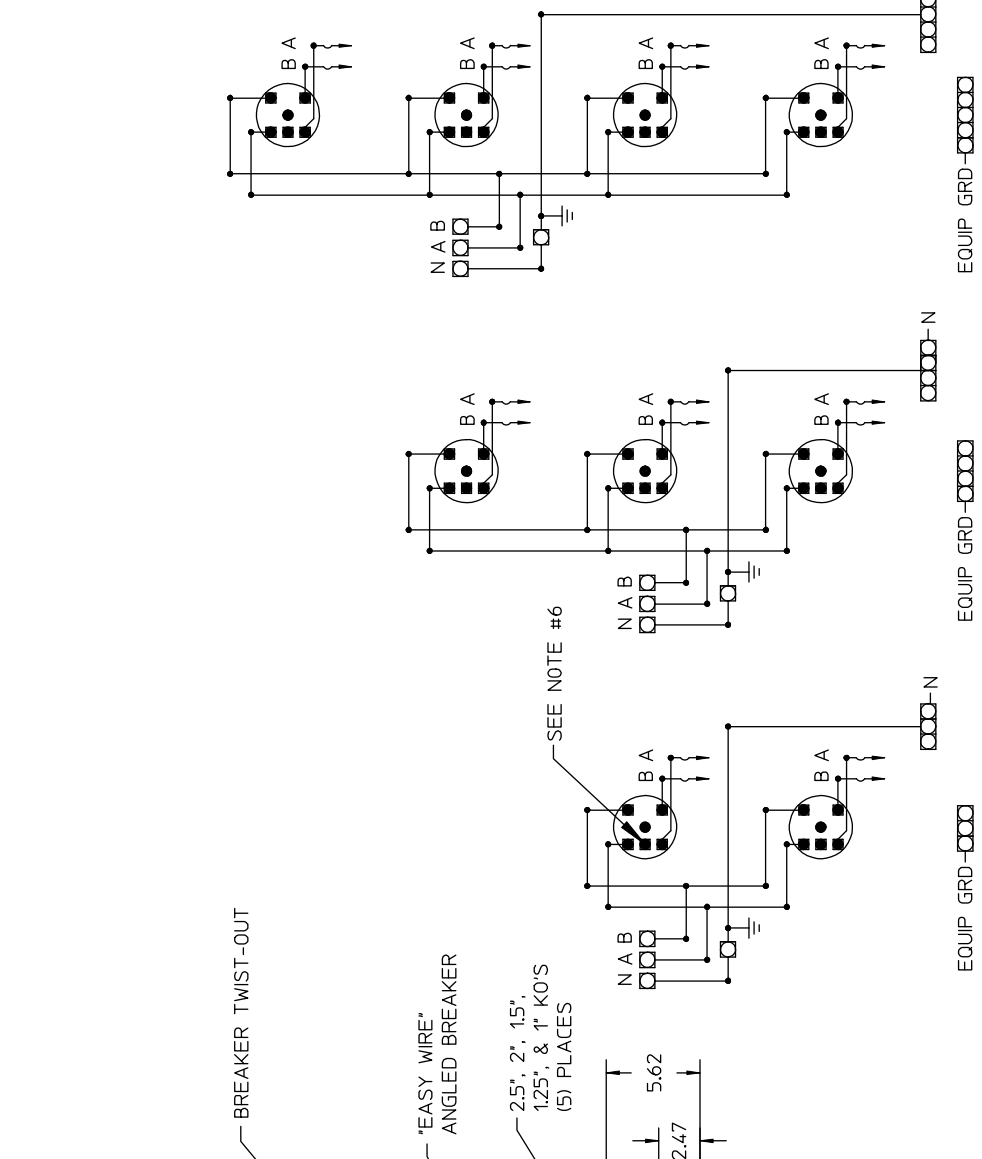
SP4_12RJB METER POSITION



SP4_12 METER POSITION

FRONT VIEW WITH COVERS REMOVED

BOLTED MAIN CONNECTION



METER SOCKET COVER	NO. OF JAWS	FACTORY INSTALLED BYPASS	MAIN BUS RATING	BRANCH RATING	NO. OF POSITIONS	CATALOG NUMBER	DIMENSION "A"	DIMENSION "B"	SEMI-FLUSH MOUNTING KIT NO.	EUSERC STUD KIT	LINE LUG WIRE SIZES (AWG/KCMIL)		BRANCH LUG WIRE SIZES (AWG-KCMIL)	
											PHASE AND NEUTRAL	GROUNDING ELECTRODE	PHASE	NEUTRAL & SERVICE GROUND
RING-TYPE	4	NONE	400A	200A	2	SP4212	31.50"	14"						
RINGLESS	5	NONE	400A	200A	2	SP4212RJ	31.50"	14"	SP422FK					
RINGLESS	5	HORN	400A	200A	2	SP4212RJB	31.50"	14"						
RING-TYPE	4	NONE	400A	200A	3	SP4312	38.43"	14"						
RINGLESS	5	NONE	400A	200A	3	SP4312RJ	38.43"	14"	SP432FK			(1) 1/0 - 750 CU-AL OR (2) 1/0 - 250 AL OR (2) 1/0 - 3/0 CU	SEE CIRCUIT BREAKER WIRE SIZE	#6 - 250
RINGLESS	5	HORN	400A	200A	3	SP4312RJB	38.43"	14"						
RING-TYPE	4	NONE	400A	200A	4	SP4412	47.43"	23"						
RINGLESS	5	NONE	400A	200A	4	SP4412RJ	47.43"	23"	SP442FK					
RINGLESS	5	HORN	400A	200A	4	SP4412RJB	47.43"	23"						

UNLESS OTHERWISE SPECIFIED DIMENSIONS ARE IN INCHES

TOLERANCES:
 .XX
 .XXX
 HOLE DIAMETER
 ANGULAR
 UNDIMENSIONED 90° ANGLES

- NOTES:
- FINISH: ANSI 61 GRAY BAKED POWDER COAT PAINT OVER G-90 GALVANIZED. PHOSPHATIZED STEEL
 - UL LISTED - FILE E10703
 - SUITABLE ONLY FOR USE AS SERVICE EQUIPMENT
 - SHORT CIRCUIT CURRENT RATING OF METER CENTER IS EQUAL TO THE RATING OF THE LOWEST INSTALLED TENANT SERVICE DISCONNECT.
 - MAIN CONNECTION POINTS RIGIDLY BOLTED WITH BOLT THAT HAS A MINIMUM MAJOR DIAMETER EQUAL TO OR GREATER THAN BUS THICKNESS WITH A CONICAL/SRING WASHER AND HEX NUT.
 - 5TH JAW IS FACTORY INSTALLED ON RINGLESS ENCLOSURES

-CONFIDENTIAL-PROPERTY OF
 Siemens Energy & Automation, Inc.
 Residential Products Division

UNI-PAK/ALL-IN-ONE METERING EQUIPMENT
 NEMA TYPE 3R ENCLOSURE
 400A MAXIMUM TENANT CIRCUIT BREAKERS

DWN	BDD	DATE	3-5-2003
CHK	AGP	DATE	3-7-2003
APVD		DATE	

SIZE	B	ISSUE RELEASE NO.	DWG NO.	SP4X12	REV	A
SCALE		DO NOT SCALE DRAWING	SHEET	1 OF 1		