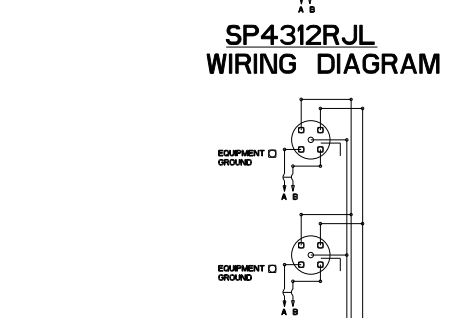
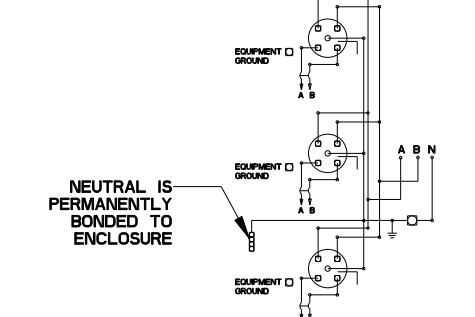
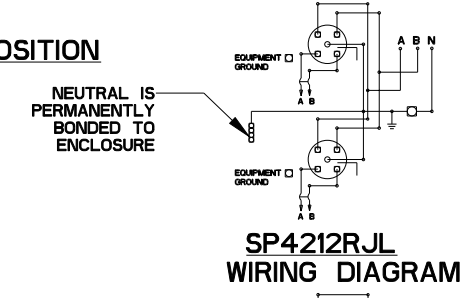
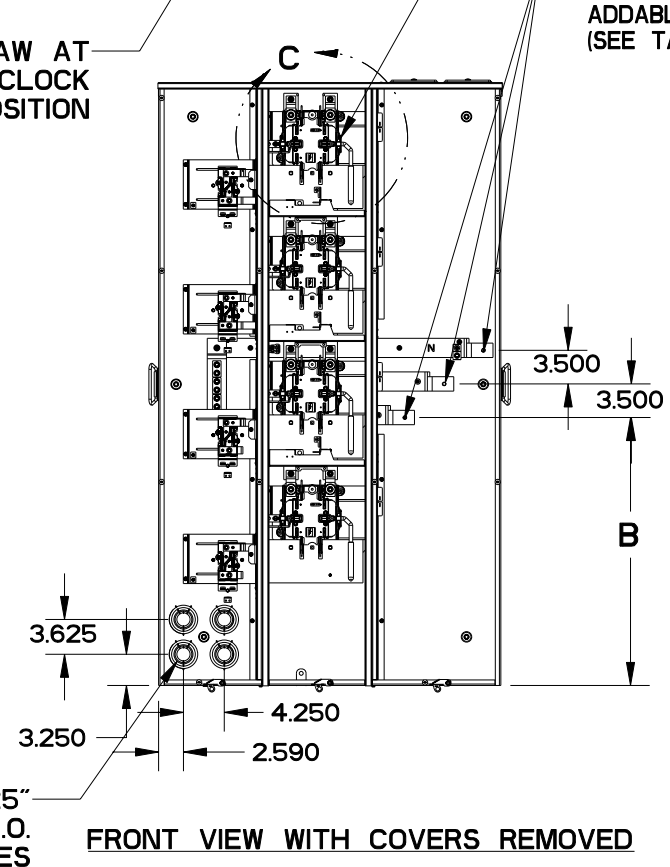
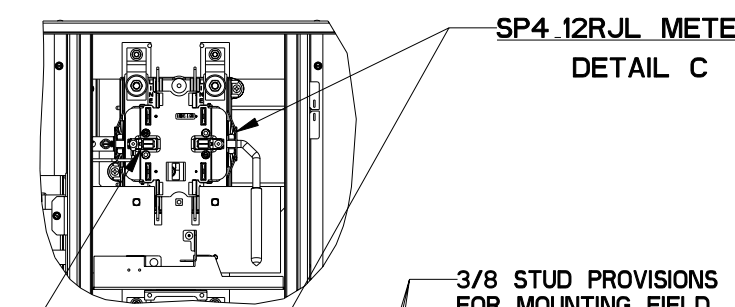
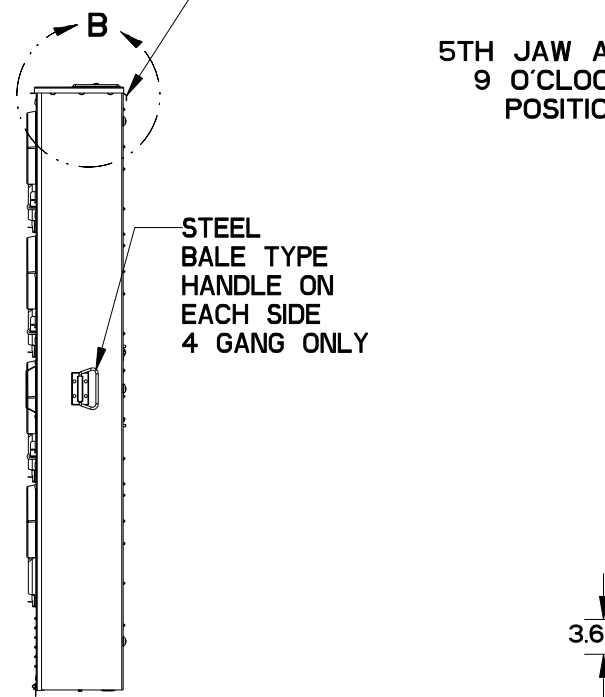
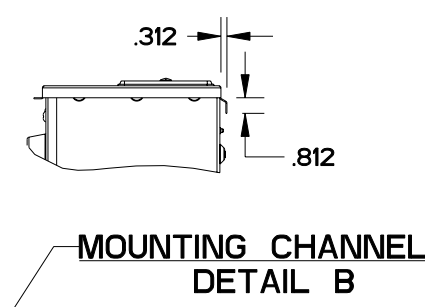
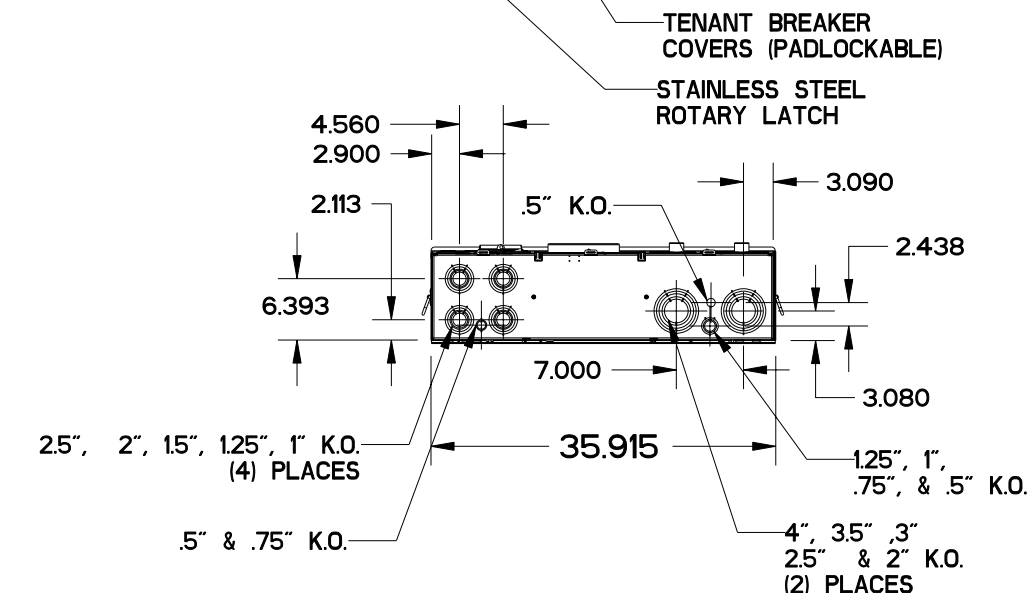
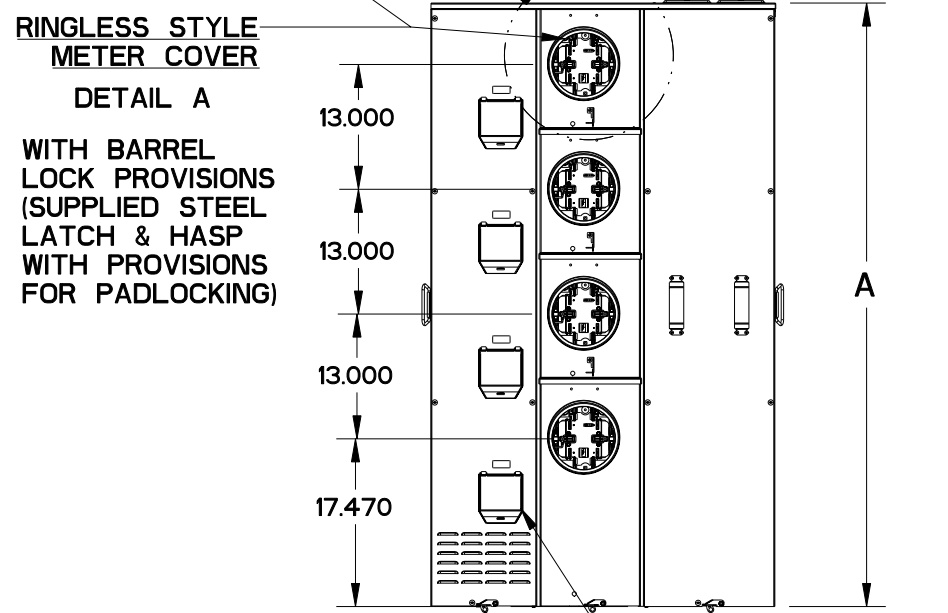
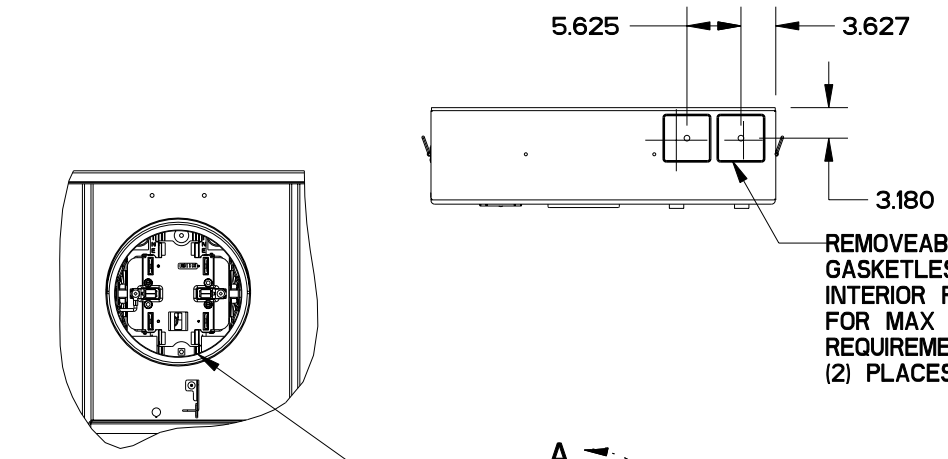


- NOTES:
 1. FINISH: ANSI 61 GRAY BAKED POWDER COAT PAINT OVER G-90 GALVANIZED, PHOSPATIZED STEEL
 2. UL LISTED - FILE NO: E10703
 3. SUITABLE ONLY FOR USE AS SERVICE EQUIPMENT
 4. SHORT CIRCUIT CURRENT RATING OF METER CENTER IS EQUAL TO THE RATING OF THE LOWEST INSTALLED TENANT SERVICE DISCONNECT. MAXIMUM SHORT CIRCUIT CURRENT RATING IS 10,000 A.I.C.
 5. MAIN CONNECTION POINTS RIGIDLY BOLTED WITH BOLT THAT HAS A MINIMUM MAJOR DIAMETER EQUAL TO OR GREATER THAN BUS THICKNESS WITH A CONICAL/SPRING WASHER AND HEX NUT.
 6. ALL LATCHES, HASPS & RIVETS ARE STAINLESS STEEL.

METER SOCKET COVER	NO. OF JAWS	FACTORY INSTALLED BYPASS	120/240VAC, 1Ø 3 WIRE OR 208Y/240VAC, 1Ø 3 WIRE						BRANCH LUG WIRE SIZES (AWG-KCMIL)				
			MAIN BUS RATING	BRANCH RATING	NO. OF POSITIONS	CATALOG NO.	DIM "A"	DIM "B"	LINE LUG WIRE SIZES (AWG/KCMIL) PHASE AND NEUTRAL	GROUNDING ELECTRODE	PHASE	NEUTRAL & SERVICE GROUND	EQUIPMENT GROUNDING
RINGLESS	5	LEVER	400A	200A	2	SP4212RJL	36.750	14.912	FIELD INSTALLED SEE LUG KIT TABLE BELOW	#6 - 250	SEE CIRCUIT BREAKER WIRE SIZE	#12 - 2/0	1/0 - 14
RINGLESS	5	LEVER	400A	200A	3	SP4312RJL	49.750	27.912					
RINGLESS	5	LEVER	400A	200A	4	SP4412RJL	62.750	27.912					



USE ANY OF THE FOLLOWING SIEMENS LUG KITS FOR THESE TERMINALS:

LUG KIT	WIRE RANGE	TORQUE LB-IN
H56476	3/0-800 KCMIL	500
H60162	(2) 1/0-250 KCMIL #4-600 KCMIL	500
H68752-1	(3) #6-250 KCMIL	275
H56732-2	(2) #4-350 KCMIL	275
H56732-M	(2) #4-500 KCMIL	375

IF HUB IS REQUIRED, THE CATALOG NUMBERS LISTED BELOW MAY BE USED	
2"	EC56854
2-1/2"	EC56855
3"	EC56856/H56856-2
3-1/2"	EC56857/H56857-2
4"	EC56858/H56858-2
CLOSURE PLATE	EC56933S/H56933

-CONFIDENTIAL-PROPERTY OF
Siemens Energy & Automation, Inc.
 Residential Products Division

CUT SHEET

2,3 & 4 GANG LEVER BY-PASS UNI-PAK/ALL-IN-ONE METERING EQUIPMENT
 NEMA TYPE 3R ENCLOSURE
 400A MAXIMUM TENANT CIRCUIT BREAKERS

SP42/43/4412RJL		REV A
SCALE 1:1	DO NOT SCALE DRAWING	SHEET 1 OF 1