

Catalog Numbers

Catalog No.	Amperage Rating	Max. Interrupting Rating
1 PHASE, 3 WIRE, 120/240V AC MAX		
WS1800CU	800	100,000
3 PHASE, 4 WIRE, 240V AC MAX		
WS3800CU	800	100,000

- FOR OVERHEAD OR UNDERGROUND SERVICE
- TYPE 3R OUTDOOR ENCLOSURE
- USE CLASS T (300V) FUSES ONLY

Additional Modules, Accessories and Lug Kits

FOR USE WITH:		
Module Description	Siemens Series#	Murray Series#
Main Breakers	(W)MC, WB, WEB	DB W
Switches	WMP, WMS, WS, WES	DPT W, DT W
Tap/Terminal Boxes	WMTB, WTB, WET	DTB W
Pull Boxes	WMMB, WPB, WAPB	DPB W
Meter Module	WMM, WxMM, WMT, WML, WMK	DG W, DC_W, DL_W
Extension Box	WMEX, WSP	DS
Bussed Elbow	(W)BE	DL

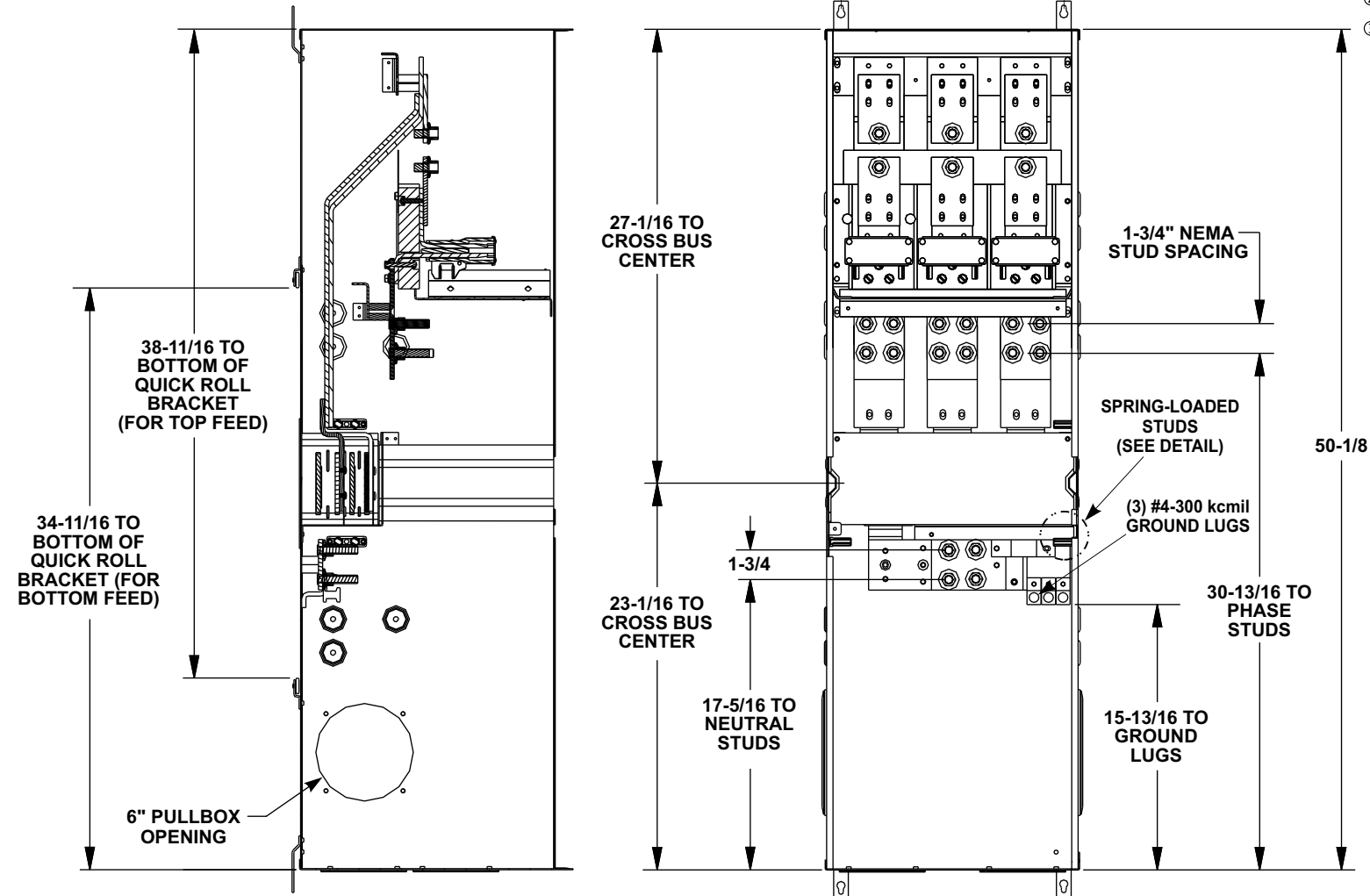
Connect Modules Using	Catalog Number / Torque
QuickConnect	QC1 (1ph) or QC4 (3ph) 400-440 lb-in (35-36 ft.-lb.) Torque
Single Bolt Joint	SBJ1 (1ph) or SBJ4 (3ph) 400-480 lb-in (35-40 ft.-lb.) Torque

Siemens Accessories	Catalog Number
Hub Cover Plate	EC56933S
Type HD Hub 2"	EC56854
Type HD Hub 2-1/2"	EC56855
Type HD Hub 3"	EC56856
Type HD Hub 3-1/2"	EC56857
Type HD Hub 4"	EC56858

1 Phase: Lugs for Phase and Neutral Connections (not supplied)						
NEMA Lug ^①	MFG	Wire Range	Type	No. Wires per phase	Torque (lb.-in.)	
LK12750N2	Siemens	300-750 kcmil	Mechanical	2	500	
LK12600N2	Siemens	#2-600 kcmil	Mechanical	2	375	
LK13500N2	Siemens	1/0-500 kcmil	Mechanical	2	500 ^②	
2ACL-500	ILSCO	500 kcmil	Compression	3	NA ^③	
2ACL-600	ILSCO	600 kcmil	Compression	2	NA ^③	
2ACL-750	ILSCO	750 kcmil	Compression	2	NA ^③	
3 Phase: Lugs for Phase and Neutral Connections (not supplied)						
LK32750N2	Siemens	300-750 kcmil	Mechanical	2	500	
LK32600N2	Siemens	#2-600 kcmil	Mechanical	2	375	
LK33500N2	Siemens	1/0-500 kcmil	Mechanical	2	500 ^②	
2ACL-500	ILSCO	500 kcmil	Compression	3	NA ^③	
2ACL-600	ILSCO	600 kcmil	Compression	2	NA ^③	
2ACL-750	ILSCO	750 kcmil	Compression	2	NA ^③	

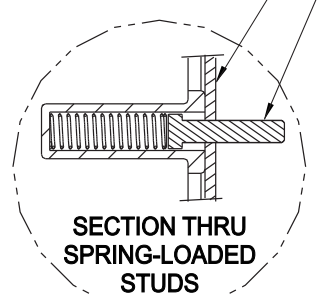
- ① Order one mechanical lug kit for main breaker and neutral conversions. Contact lug manufacturer for compression lug quantities supplied for each kit.
- ② Kit contains more than one lug type. Reference kit instruction sheet for the actual torque value for each lug type.
- ③ See lug manufacturer's instruction sheet supplied with the connector for tool, die, and number of crimps.

SECTION VIEW

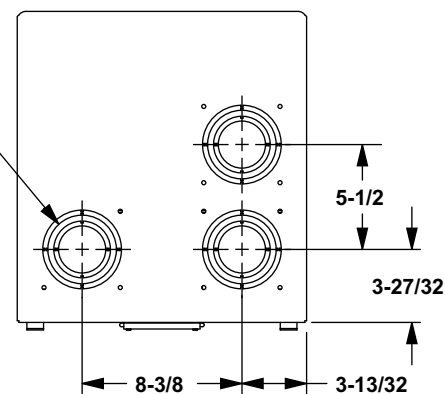


WS3800CU (3 Phase) SHOWN
VIEWS SHOWN SHOWN WITHOUT COVER
SHOWN IN BOTTOM FEED POSITION

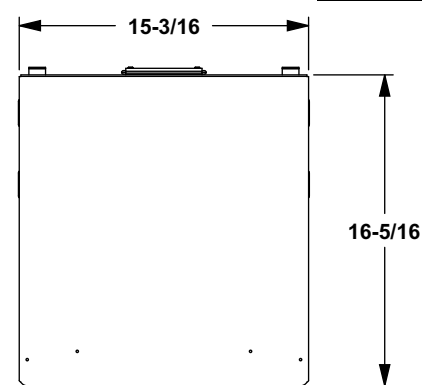
#10-32 x 7/8 SCREWS
ENCLOSURE WALL



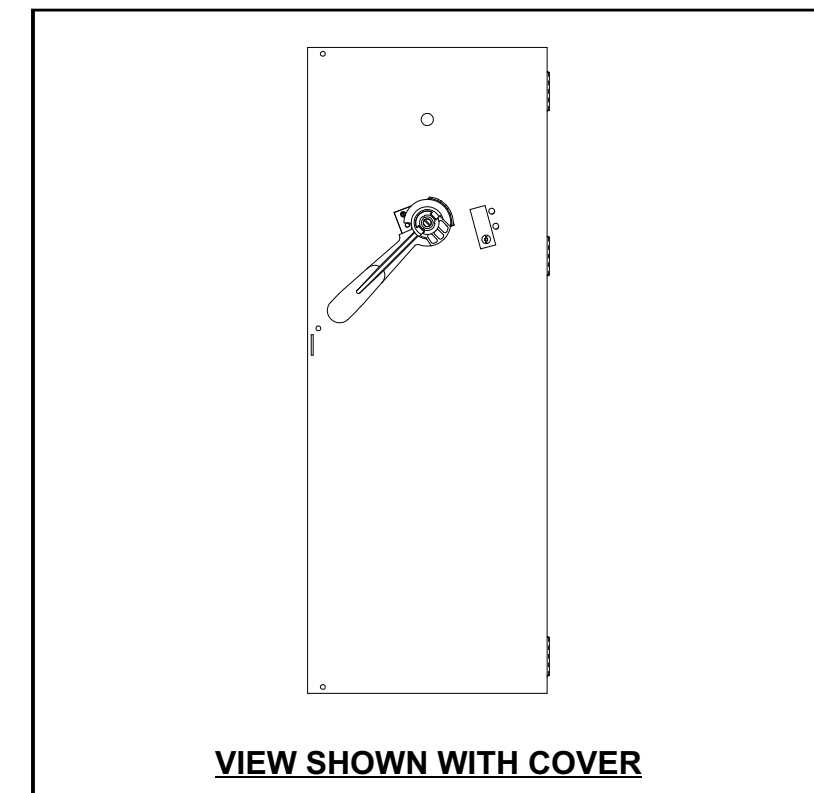
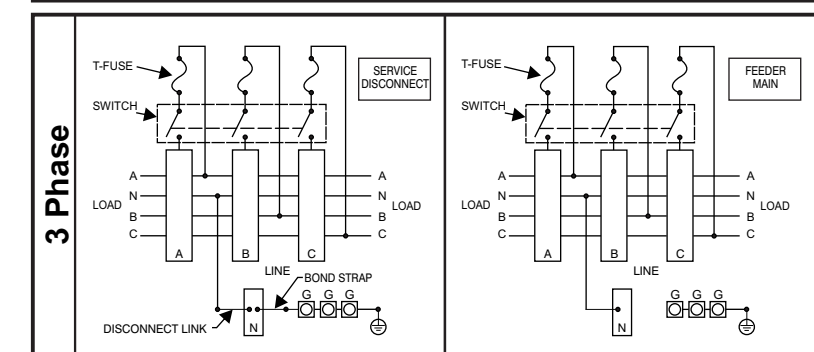
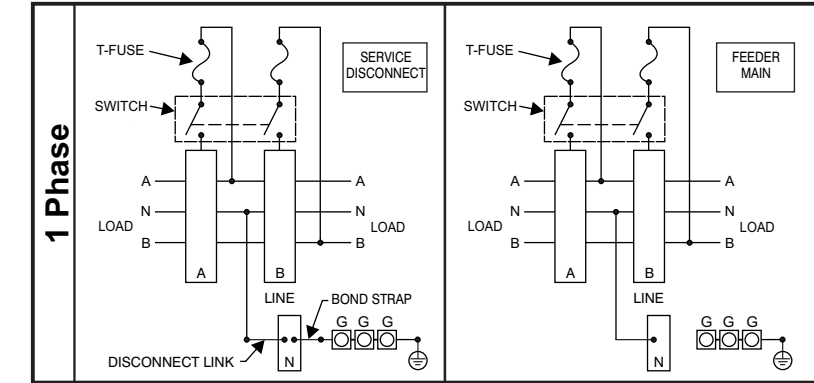
(3) TYPE "HD" 4" MAX
HUB OPENINGS
3-1/2, 3, 2-1/2, 2" KO's



TOP VIEW



Schematics



© 2010 Copyright Siemens Industry, Inc.

Siemens Industry, Inc.
Building Technologies Division

PowerMod™ Switch Mains

Catalog Numbers: **WS1800CU thru WS3800CU**
Service Entrance Switch Mains

Size B Dwg. No. **800A_SE_Switch_Mains**

Dwn KAM Date 1/27/10 DO NOT SCALE DRAWING SHEET 1 OF 1