

Catalog Numbers

Catalog No.	Amperage Rating	Max. Interrupting Rating
1 PHASE, 3 WIRE, 120/240V AC MAX		
WS1600CU	600	100,000
3 PHASE, 4 WIRE, 240V AC MAX		
WS3600CU	600	100,000

- FOR OVERHEAD OR UNDERGROUND SERVICE
- TYPE 3R OUTDOOR ENCLOSURE
- USE CLASS T (300V) FUSES ONLY

Additional Modules, Accessories and Lug Kits

FOR USE WITH:		
Module Description	Siemens Series#	Murray Series#
Main Breakers	(W)MC, WB, WEB	DB W
Switches	WMP, WMS, WS, WES	DPT W, DT W
Tap/Terminal Boxes	WMTB, WTB, WET	DTB W
Pull Boxes	WMMB, WPB, WAPB	DPB W
Meter Module	WMM, WxMM, WMT, WML, WMK	DG W, DC_W, DL_W
Extension Box	WMEX, WSP	DS
Bussed Elbow	(W)BE	DL

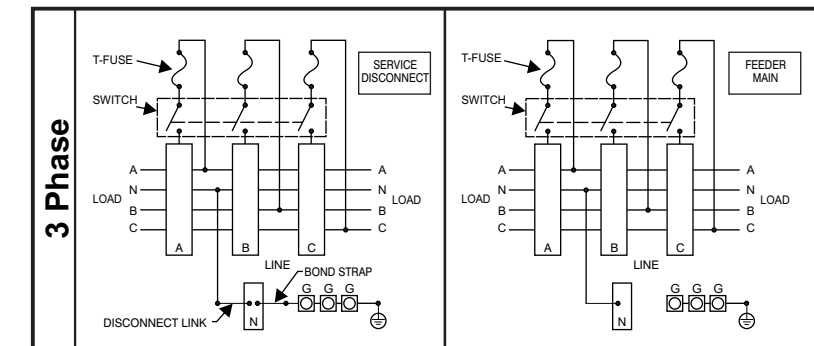
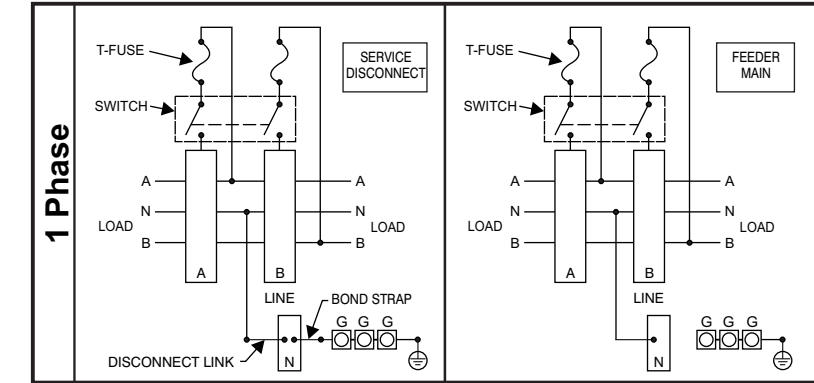
Connect Modules Using	Catalog Number / Torque
QuickConnect	QC1 (1ph) or QC4 (3ph) 400-440 lb-in (35-36 ft.-lb.) Torque
Single Bolt Joint	SBJ1 (1ph) or SBJ4 (3ph) 400-480 lb-in (35-40 ft.-lb.) Torque

Siemens Accessories	Catalog Number
Hub Cover Plate	EC56933S
Type HD Hub 2"	EC56854
Type HD Hub 2-1/2"	EC56855
Type HD Hub 3"	EC56856
Type HD Hub 3-1/2"	EC56857
Type HD Hub 4"	EC56858

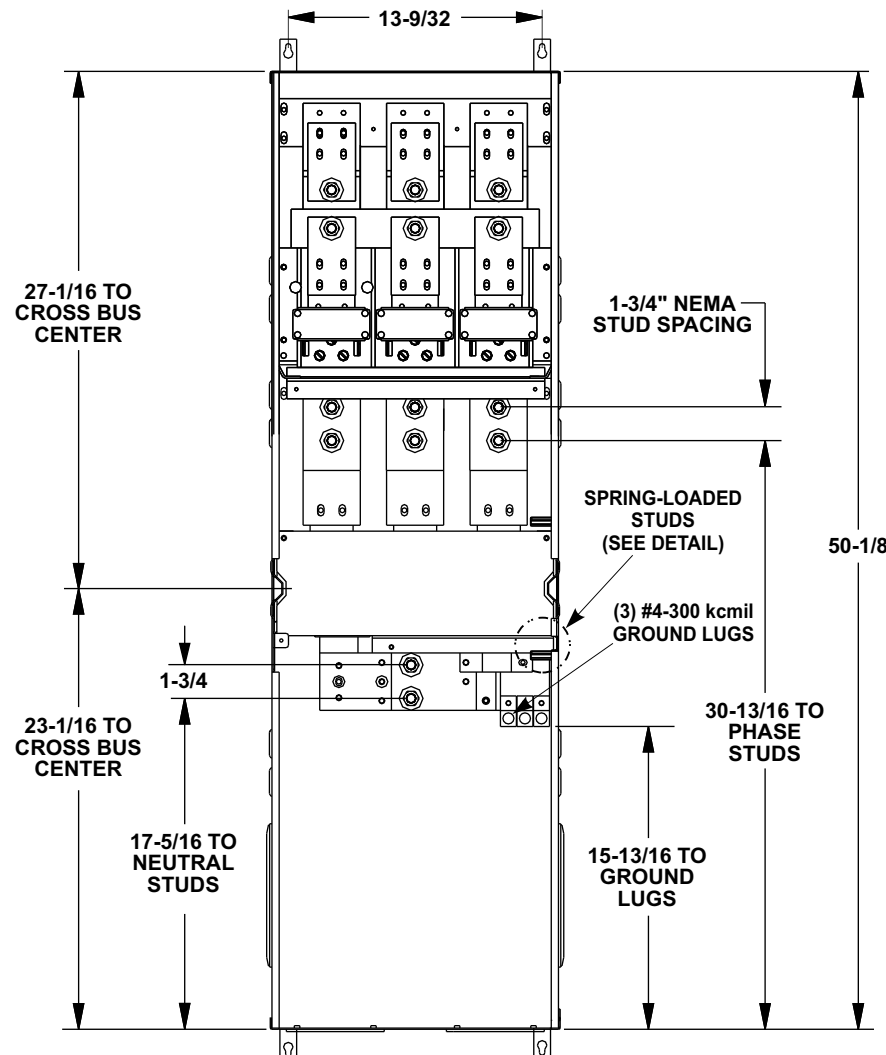
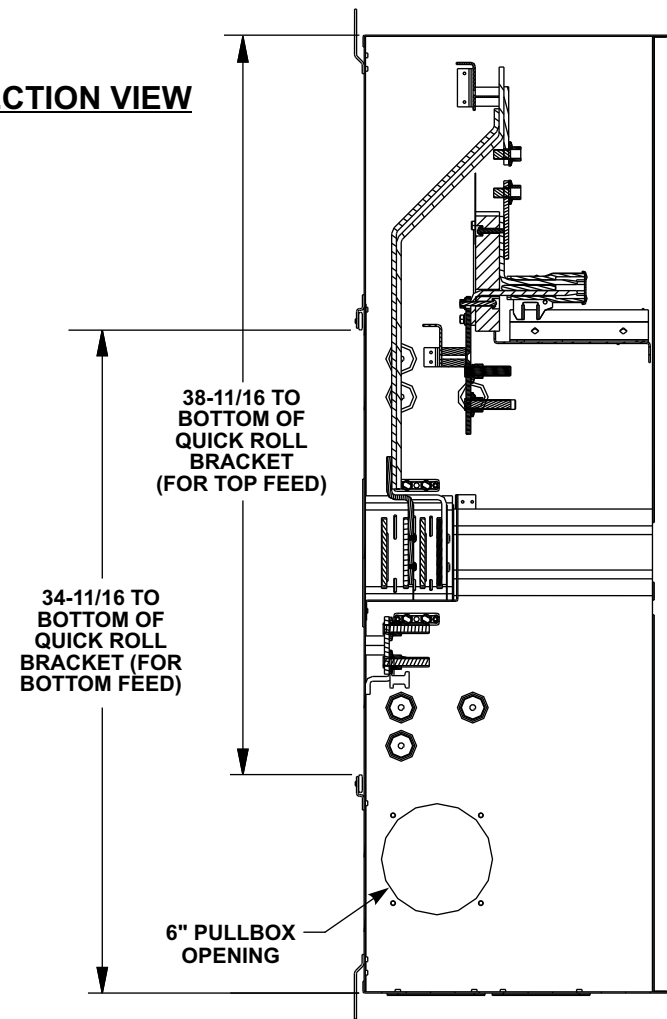
1 Phase: Lugs for Phase and Neutral Connections (not supplied)						
NEMA Lug ^①	MFG	Wire Range	Type	No. Wires per phase	Torque (lb.-in.)	
LK12500N2	Siemens	1/0-500 kcmil	Mechanical	2	500	
2ACL-500	ILSCO	500 kcmil	Compression	2	NA ^②	
3 Phase: Lugs for Phase and Neutral Connections (not supplied)						
NEMA Lug ^①	MFG	Wire Range	Type	No. Wires per phase	Torque (lb.-in.)	
LK32500N2	Siemens	1/0-500 kcmil	Mechanical	2	500	
2ACL-500	ILSCO	500 kcmil	Compression	2	NA ^②	

- ① Order one mechanical lug kit for main breaker and neutral conversions. Contact lug manufacturer for compression lug quantities supplied for each kit.
② See lug manufacturer's instruction sheet supplied with the connector for tool, die, and number of crimps.

Schematics



SECTION VIEW



WS3600CU (3 Phase) SHOWN
VIEWS SHOWN SHOWN WITHOUT COVER
SHOWN IN BOTTOM FEED POSITION

VIEW SHOWN WITH COVER

© 2010 Copyright Siemens Industry, Inc.

Siemens Industry, Inc.
Building Technologies Division

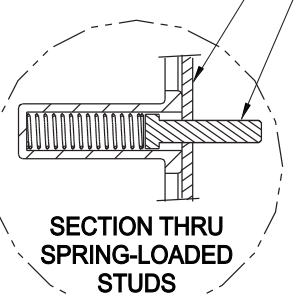
PowerMod™ Switch Mains

Catalog Numbers: **WS1600CU thru WS3600CU**
Service Entrance Switch Mains

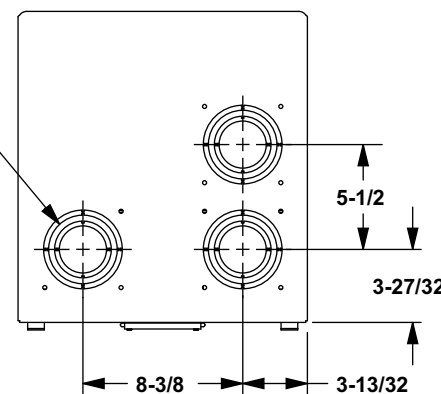
Size B Dwg. No. **600A_SE_Switch_Mains**

Dwn KAM Date 1/27/10 DO NOT SCALE DRAWING SHEET 1 OF 1

#10-32 x 7/8 SCREWS
ENCLOSURE WALL



(3) TYPE "HD" 4" MAX
HUB OPENINGS
3-1/2, 3, 2-1/2, 2" KO's



TOP VIEW

