

Catalog Numbers

Catalog No.	Amperage Rating	Max. Interrupting Rating
1 PHASE, 3 WIRE, 120/240V AC MAX		
WS1400CU	400	100,000
3 PHASE, 4 WIRE, 240V AC MAX		
WS3400CU	400	100,000

- FOR OVERHEAD OR UNDERGROUND SERVICE
- TYPE 3R OUTDOOR ENCLOSURE
- USE CLASS T (300V) FUSES ONLY

Additional Modules, Accessories and Lug Kits

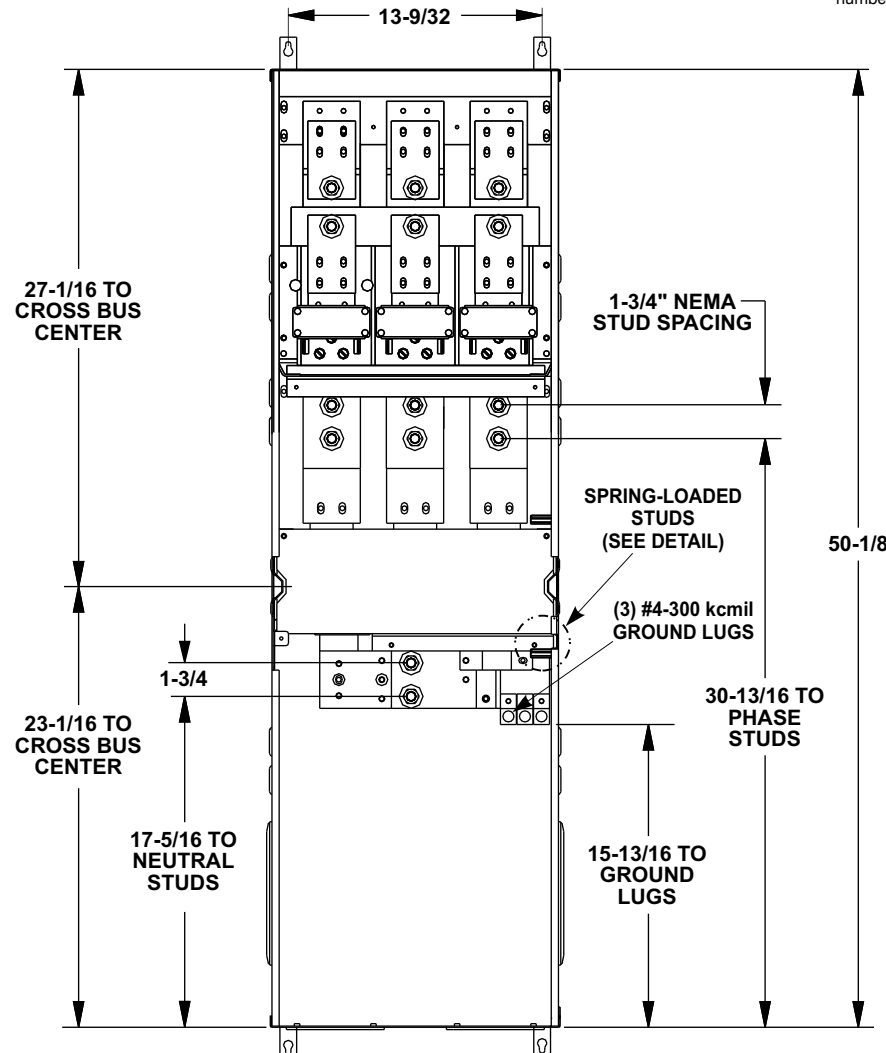
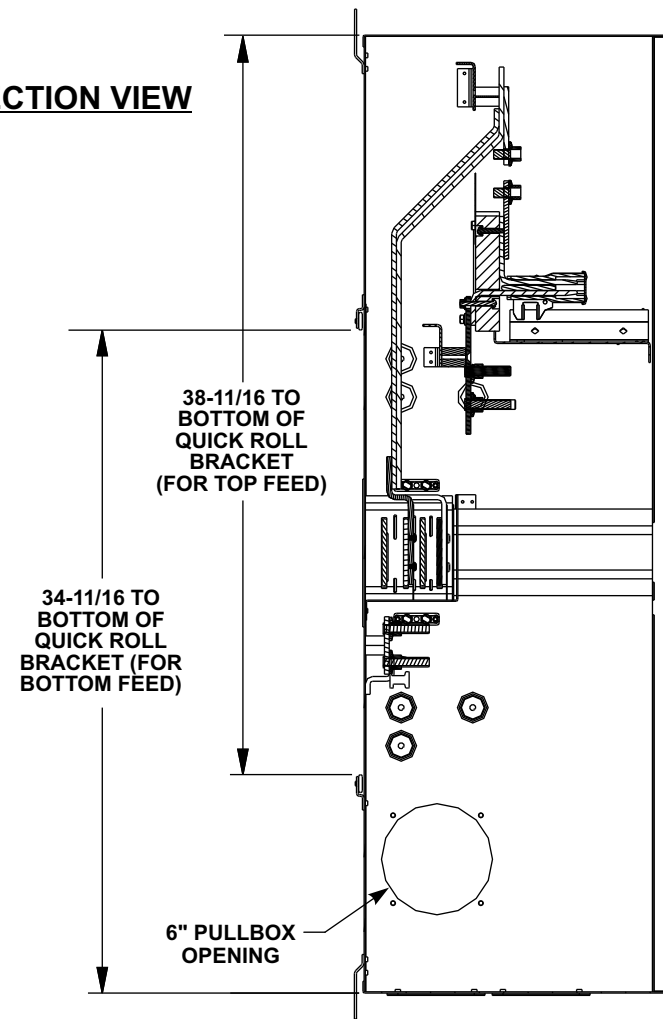
FOR USE WITH:		
Module Description	Siemens Series#	Murray Series#
Main Breakers	(W)MC, WB, WEB	DB W
Switches	WMP, WMS, WS, WES	DPT W, DT W
Tap/Terminal Boxes	WMTB, WTB, WET	DTB W
Pull Boxes	WMMB, WPB, WAPB	DPB W
Meter Module	WMM, WxMM, WMT, WML, WMK	DG W, DC W, DL W
Extension Box	WMEX, WSP	DS
Bussed Elbow	(W)BE	DL
Connect Modules Using	Catalog Number / Torque	
QuickConnect	QC1 (1ph) or QC4 (3ph) 400-440 lb-in (35-36 ft.-lb.) Torque	
Single Bolt Joint	SBJ1 (1ph) or SBJ4 (3ph) 400-480 lb-in (35-40 ft.-lb.) Torque	

Siemens Accessories	Catalog Number
Hub Cover Plate	EC56933S
Type HD Hub 2"	EC56854
Type HD Hub 2-1/2"	EC56855
Type HD Hub 3"	EC56856
Type HD Hub 3-1/2"	EC56857
Type HD Hub 4"	EC56858

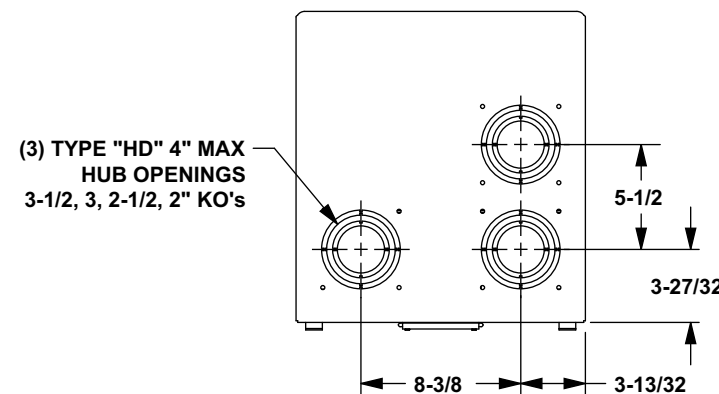
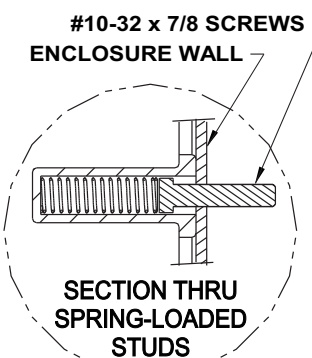
1 Phase: Lugs for Phase and Neutral Connections (not supplied)						
NEMA Lug	MFG	Wire Range	Type	No. Wires per phase	Torque (lb.-in.)	
LK11750N2	Siemens	300-750 kcmil	Mechanical	1	500	
LK11600N2	Siemens	#2-600 kcmil	Mechanical	1	375	
LK12500N2	Siemens	1/0-500 kcmil	Mechanical	2	500	
2ACL-500	ILSCO	500 kcmil	Compression	2	NA ②	
2ACL-600	ILSCO	600 kcmil	Compression	1	NA ②	
2ACL-750	ILSCO	750 kcmil	Compression	1	NA ②	
3 Phase: Lugs for Phase and Neutral Connections (not supplied)						
LK31750N2	Siemens	300-750 kcmil	Mechanical	1	500	
LK31600N2	Siemens	#2-600 kcmil	Mechanical	1	375	
LK32500N2	Siemens	1/0-500 kcmil	Mechanical	2	500	
2ACL-500	ILSCO	500 kcmil	Compression	2	NA ②	
2ACL-600	ILSCO	600 kcmil	Compression	1	NA ②	
2ACL-750	ILSCO	750 kcmil	Compression	1	NA ②	

- ① Order one mechanical lug kit for main breaker and neutral conversions. Contact lug manufacturer for compression lug quantities supplied for each kit.
- ② See lug manufacturer's instruction sheet supplied with the connector for tool, die, and number of crimps.

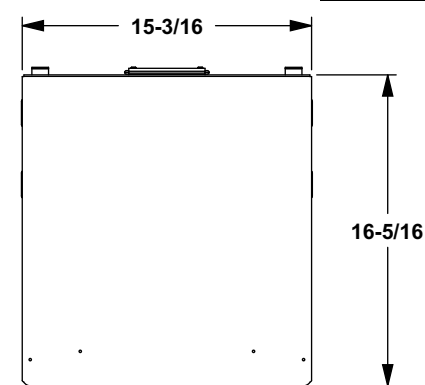
SECTION VIEW



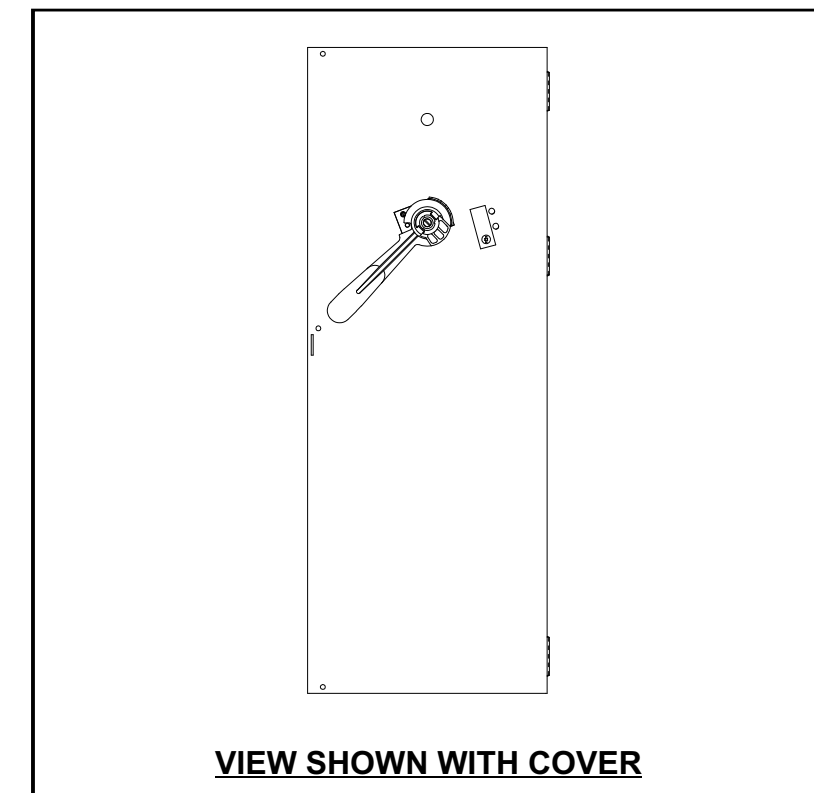
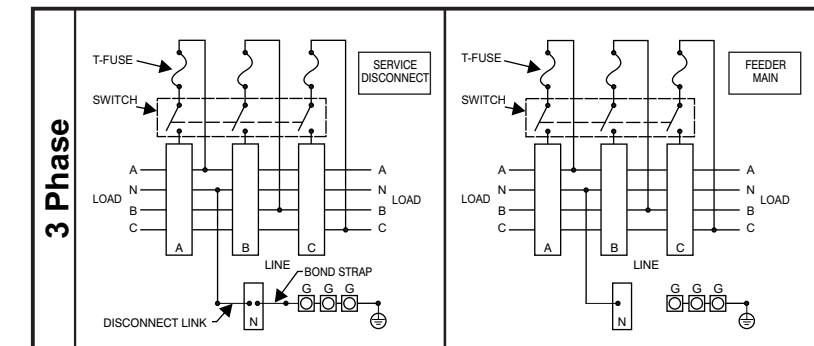
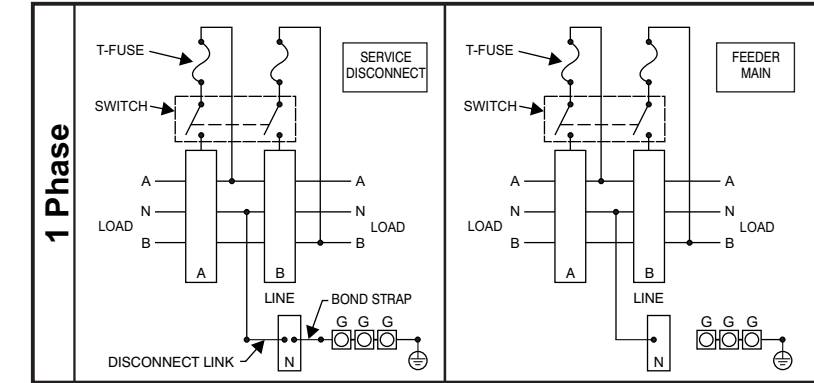
WS3400CU (3 Phase) SHOWN
 VIEWS SHOWN SHOWN WITHOUT COVER
 SHOWN IN BOTTOM FEED POSITION



TOP VIEW



Schematics



© 2010 Copyright Siemens Industry, Inc.

Siemens Industry, Inc.
 Building Technologies Division

PowerMod™ Switch Mains

Catalog Numbers: **WS1400CU thru WS3400CU**
 Service Entrance Switch Mains

Size B Dwg. No. **400A_SE_Switch_Mains**

Dwn KAM Date 1/27/10 DO NOT SCALE DRAWING SHEET 1 OF 1