

# Catalog Numbers, Ratings and Features

Catalog No.	Max. Branch Rating	Main Bus, 1200A Max.	Breaker Type	Meter Socket Cover	Meter Socket Type/ Continuous Rating	No. of Jaws	Bypass Type	Neutral Lug Wire Range	Equip Ground Lug Wire Range
WML23400RJ	400A	3 Phase	3 Pole JXD2-A	Ringless	HQ-7S / 320A	7	Lever	(1)or(2) 3/0-500 CU (1)or(2) 4/0-500 AL	(3) #4-300 kcmil

- TYPE 3R OUTDOOR ENCLOSURE
- 208Y/120 VOLTS AC, 3 PHASE, 4 WIRE
- 240/120 VOLTS AC, 3 PHASE, 4 WIRE DELTA,
- 3 PHASE INPUT, 3 PHASE OUTPUT
- MOUNTING RAILS AND ADJUSTABLE BRACKETS FOR SECURE MOUNTING

CATALOG NUMBER	FACTORY INSTALLED BREAKERS
WML23400RJ	400A/400A
ALTERNATE BREAKER AMPERAGES (FACTORY INSTALLED)	
WML23400RJT5	200A/200A
WML23400RJT6	200A/250A
WML23400RJT7	200A/300A
WML23400RJT8	200A/350A
WML23400RJT9	200A/400A
WML23400RJT10	250A/300A
WML23400RJT11	250A/350A
WML23400RJT12	250A/400A
WML23400RJT13	300A/300A
WML23400RJT14	300A/350A
WML23400RJT15	300A/400A
WML23400RJT16	350A/350A
WML23400RJT17	350A/400A

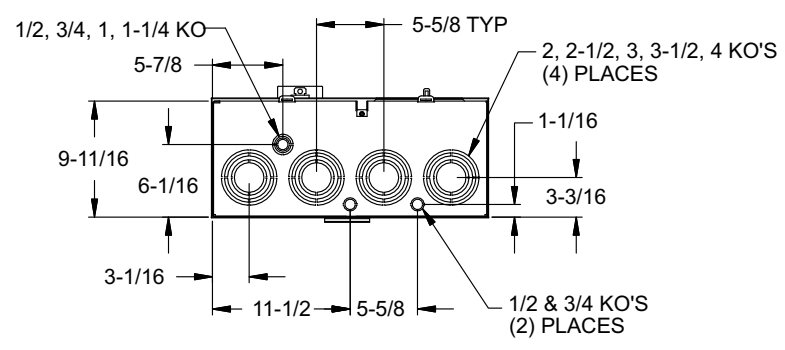
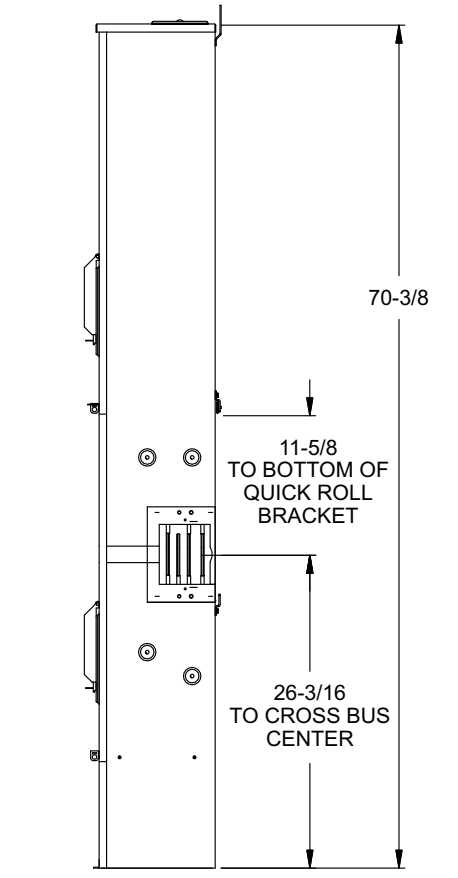
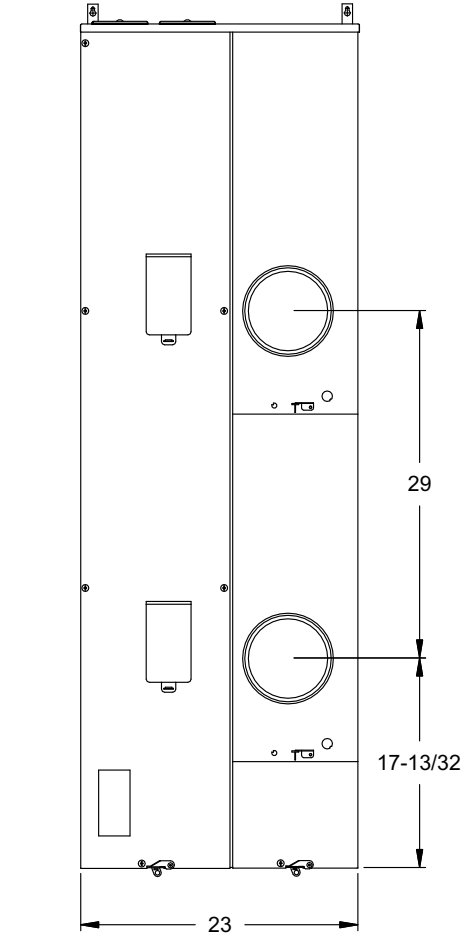
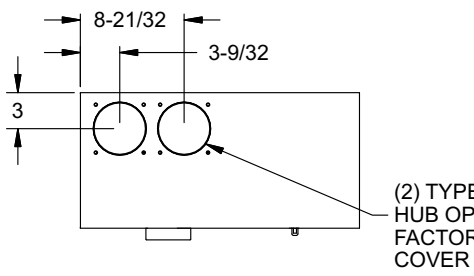
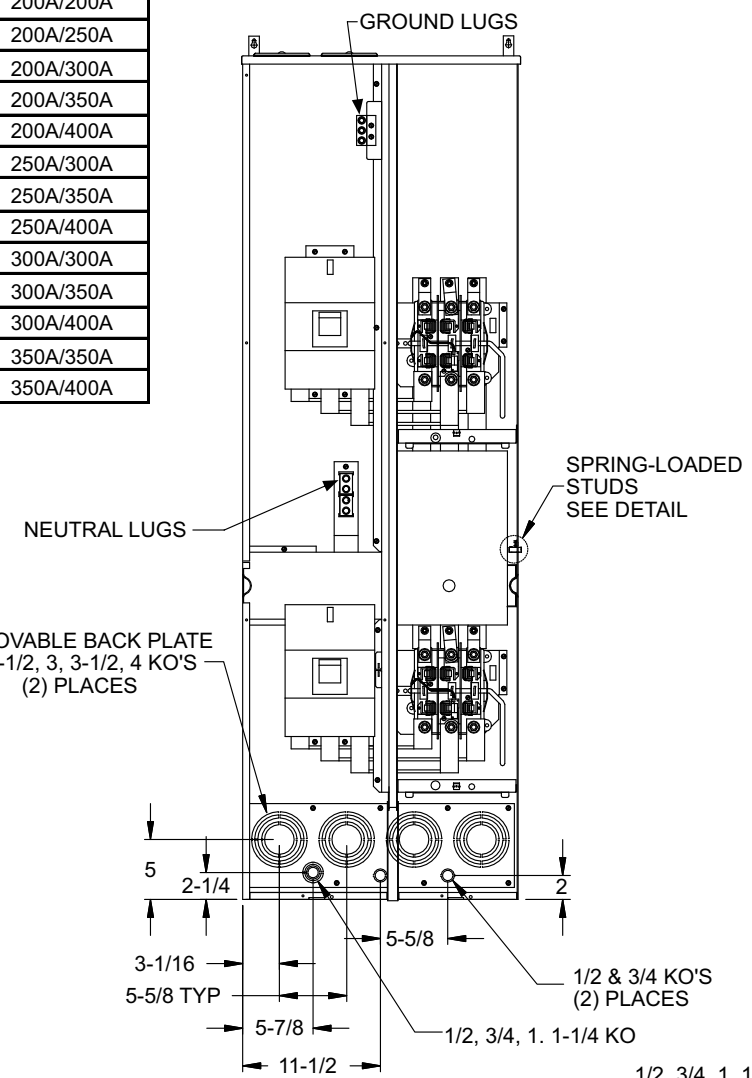
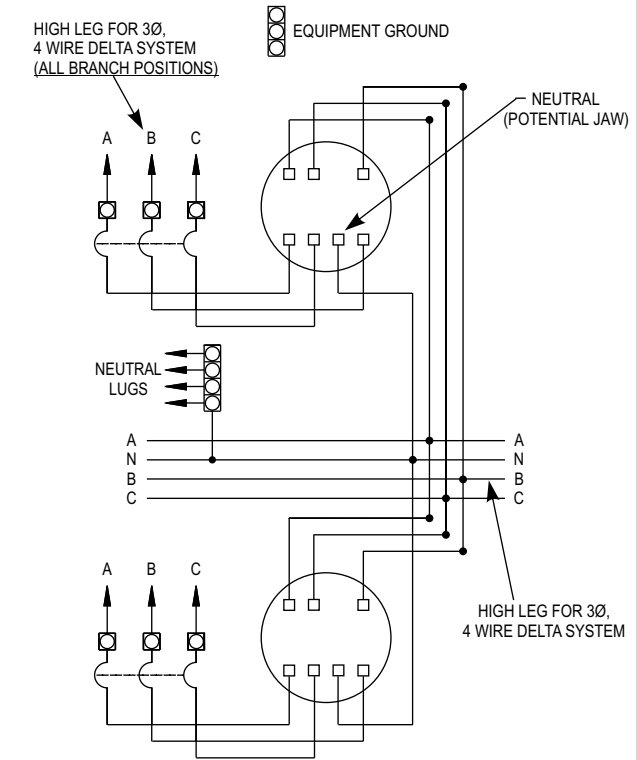
# Additional Modules and Accessories

Module Description	Siemens Series#	Murray Series#
Main Breakers	(W)MC, WB, WEB	DB W
Switches	WMP, WMS, WS, WES	DPT_W, DT_W
Tap/Terminal Boxes	WMTB, WTB, WET	DTB_W
Meter Module	WMM, WxMM, WMT, WML, WMK	DG_W, DC_W, DL_W
Extension Box	WMEX, WSP	DS
Bussed Elbow	(W)BE	DL

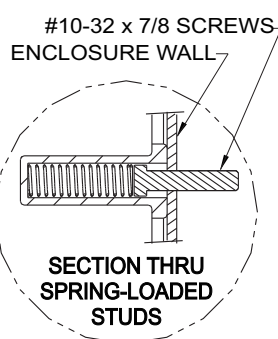
Siemens Accessory	Catalog No.
Hub Cover Plate	EC56933S
Type HD Hub 2"	EC56854
Type HD Hub 2-1/2"	EC56855
Type HD Hub 3"	EC56856
Type HD Hub 3-1/2"	EC56857
Type HD Hub 4"	EC56858

Connect Modules Using:	Catalog Number / Torque
QuickConnect	QC1 (1ph) or QC4 (3ph) 400-440 lb-in (35-36 ft.-lb.) Torque
Single Bolt Joint	SBJ1 (1ph) or SBJ4 (3ph) 400-480 lb-in (35-40 ft.-lb.) Torque

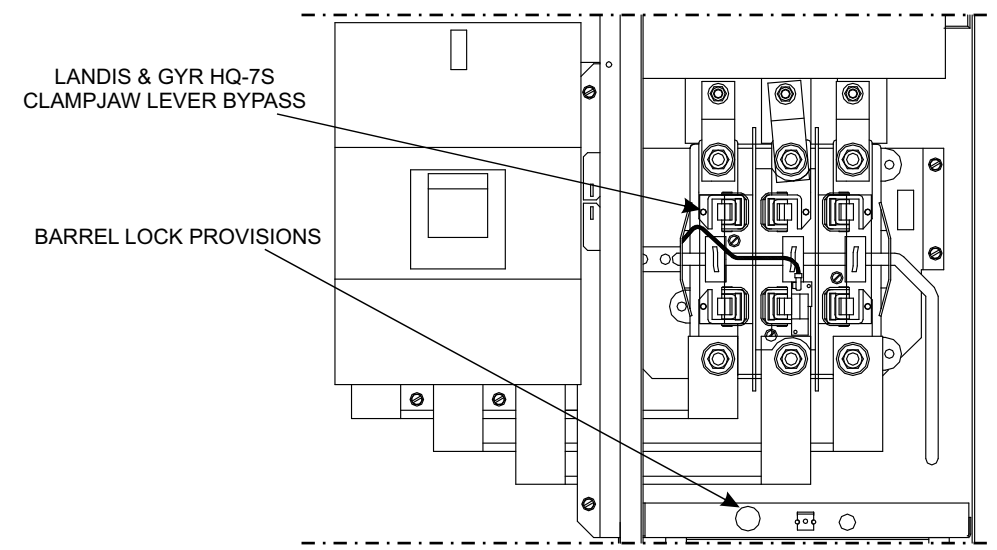
# Schematic



REMOVABLE BACK PLATE  
2, 2-1/2, 3, 3-1/2, 4 KO'S  
(2) PLACES



# Enlarged Socket Detail



© 2010 Copyright Siemens Industry, Inc.

Siemens Industry, Inc.  
Building Technologies Division

## PowerMod™ Modular Metering

Description: **Lever Bypass 2 Position 400A Tenant 3in-3out Commercial Metering Module**

Size B Dwg. No. **WML23400RJ**