

# Catalog Numbers, Ratings and Features

Catalog No.	Max. Branch Rating	Main Bus, 1200A Max.	Breaker Type	Meter Socket Cover	Meter Socket Type/ Continuous Rating	No. of Jaws	Bypass Type	Neutral Lug Wire Range	Equip Ground Lug Wire Range
WML22400RJ	400A	3 Phase	2 Pole JXD2-A	Ringless	HQ-5S / 320A	5	Lever	(1)or(2) 3/0-500 CU (1)or(2) 4/0-500 AL	(3) #4-300 kcmil

- TYPE 3R OUTDOOR ENCLOSURE
- 208Y/120 VOLTS AC, 3 PHASE, 4 WIRE
- 3 PHASE INPUT, 1 PHASE OUTPUT
- MOUNTING RAILS AND ADJUSTABLE BRACKETS FOR SECURE MOUNTING

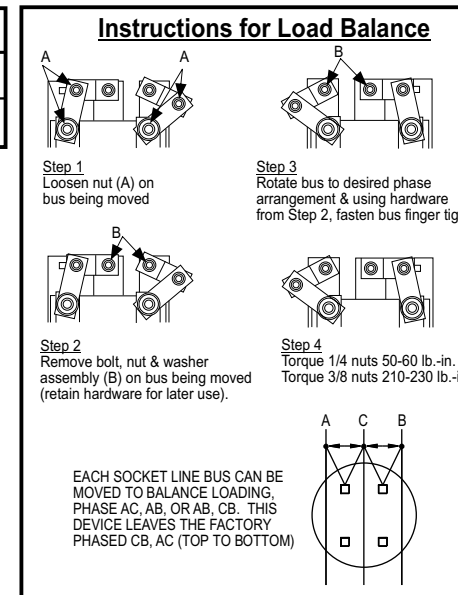
CATALOG NUMBER	FACTORY INSTALLED BREAKERS
WML22400RJ	400A/400A
ALTERNATE BREAKER AMPERAGES (FACTORY INSTALLED)	
WML22400RJT5	200A/200A
WML22400RJT6	200A/250A
WML22400RJT7	200A/300A
WML22400RJT8	200A/350A
WML22400RJT9	200A/400A
WML22400RJT10	250A/300A
WML22400RJT11	250A/350A
WML22400RJT12	250A/400A
WML22400RJT13	300A/300A
WML22400RJT14	300A/350A
WML22400RJT15	300A/400A
WML22400RJT16	350A/350A
WML22400RJT17	350A/400A

# Additional Modules and Accessories

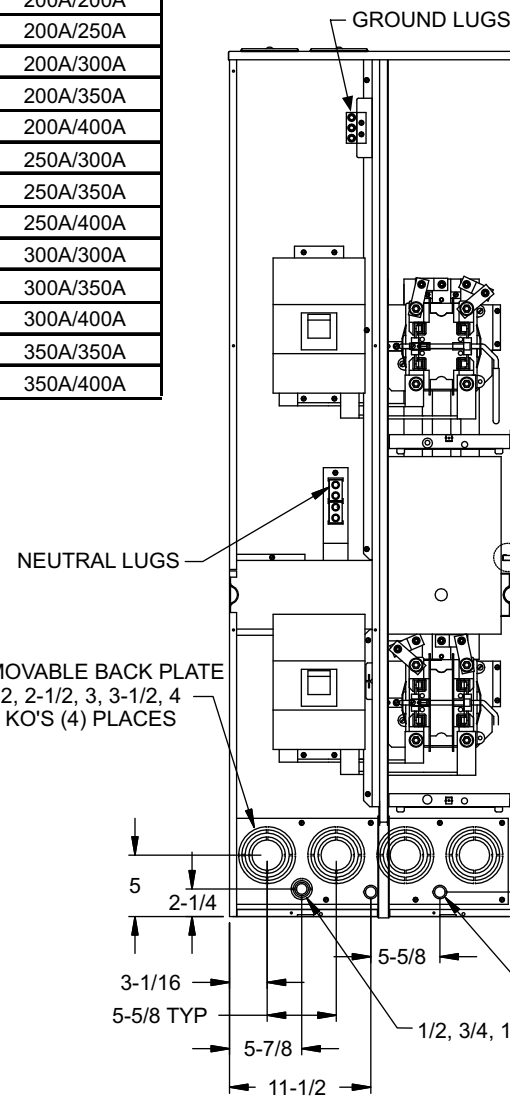
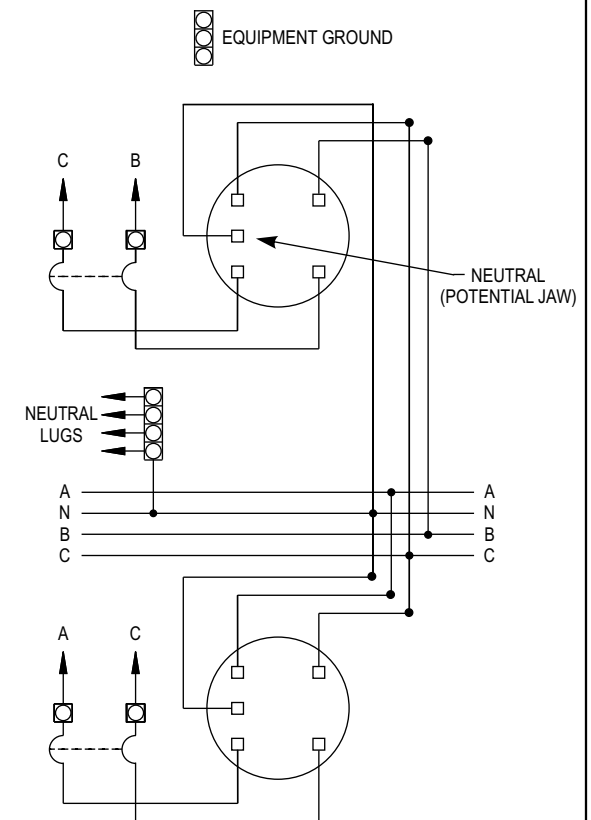
FOR USE WITH:	Siemens Series#	Murray Series#
Main Breakers	(W)MC, WB, WEB	DB W
Switches	WMP, WMS, WS, WES	DPT W, DT W
Tap/Terminal Boxes	WMTB, WTB, WET	DTB_W
Meter Module	WMM, WxMM, WMT, WML, WMK	DG W, DC_W, DL W
Extension Box	WMEX, WSP	DS
Bussed Elbow	(W)BE	DL

Siemens Accessory	Catalog No.
Hub Cover Plate	EC56933S
Type HD Hub 2"	EC56854
Type HD Hub 2-1/2"	EC56855
Type HD Hub 3"	EC56856
Type HD Hub 3-1/2"	EC56857
Type HD Hub 4"	EC56858

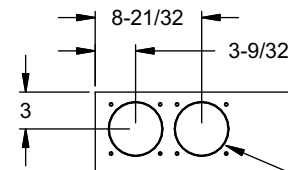
Connect Modules Using:	Catalog Number / Torque
QuickConnect	QC1 (1ph) or QC4 (3ph) 400-440 lb-in (35-36 ft.-lb.) Torque
Single Bolt Joint	SBJ1 (1ph) or SBJ4 (3ph) 400-480 lb-in (35-40 ft.-lb.) Torque



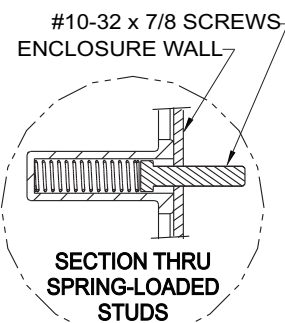
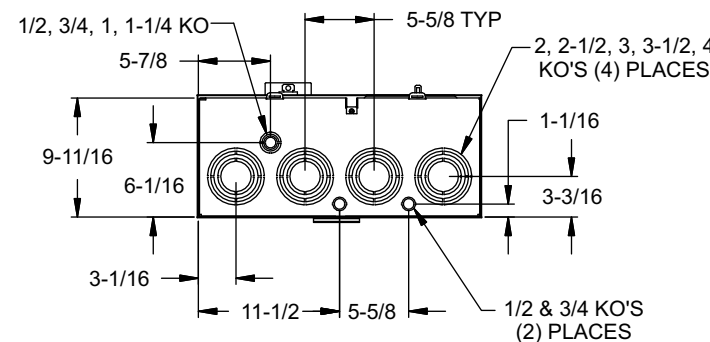
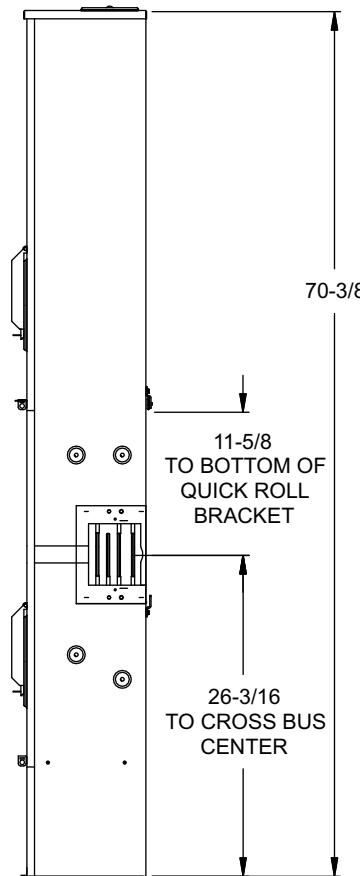
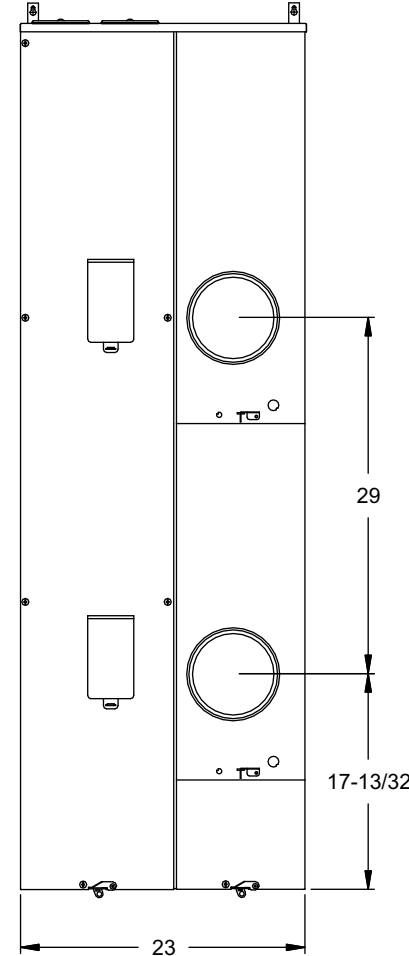
# Schematic



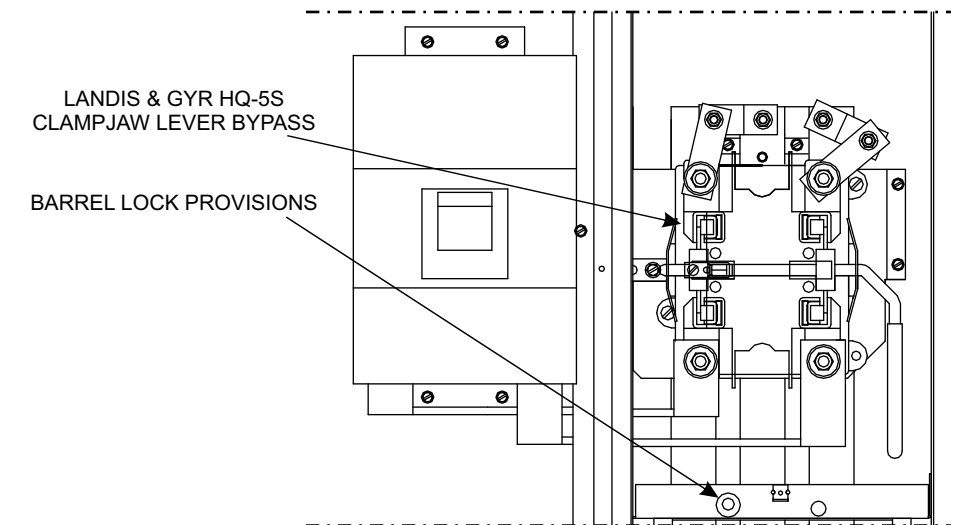
SPRING-LOADED STUDS  
SEE DETAIL



(2) TYPE "HD" 4" MAX.  
HUB OPENINGS  
FACTORY INSTALLED  
COVER PLATES



# Enlarged Socket Detail



© 2010 Copyright Siemens Industry, Inc.

Siemens Industry, Inc.  
Building Technologies Division

## PowerMod™ Modular Metering

Description: **Lever Bypass 2 Position 400A Tenant 3in-1out Commercial Metering Module**

Size B	6	Dwg. No.	<b>WML22400RJ</b>	
Dwn	KAM	Date	1/27/10	DO NOT SCALE DRAWING SHEET 1 OF 1