

Catalog Numbers, Ratings and Features

Catalog No.	Max. Branch Rating	Main Bus, 1200A Max.	Breaker Type	Meter Socket Cover	Meter Socket Type/ Continuous Rating	No. of Jaws	Bypass Type	Neutral Lug Wire Range	Equip Ground Lug (Qty) and Wire Range
WMK12400RJ	400A	3 Phase	2 Pole JXD2-A	Ringless	K5 / 400A	5	Manual*	(1)or(2)Wires 3/0-500 CU (1)or(2)Wires 4/0-500 AL	(2) #4-300 kcmil

*Use Rake Type Bypass Catalog No. H58888

- TYPE 3R OUTDOOR ENCLOSURE
- 208Y/120 VOLTS AC, 3 PHASE, 4 WIRE
- 3 PHASE INPUT, 1 PHASE OUTPUT
- MOUNTING RAILS AND ADJUSTABLE BRACKETS FOR SECURE MOUNTING

CATALOG NUMBER	FACTORY INSTALLED BREAKER
WMK12400RJ	400A
ALTERNATE BREAKER AMPERAGES (FACTORY INSTALLED)	
WMK12400RJT1	200A
WMK12400RJT2	250A
WMK12400RJT3	300A
WMK12400RJT4	350A

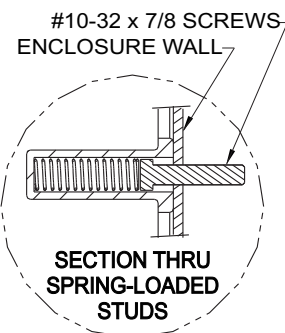
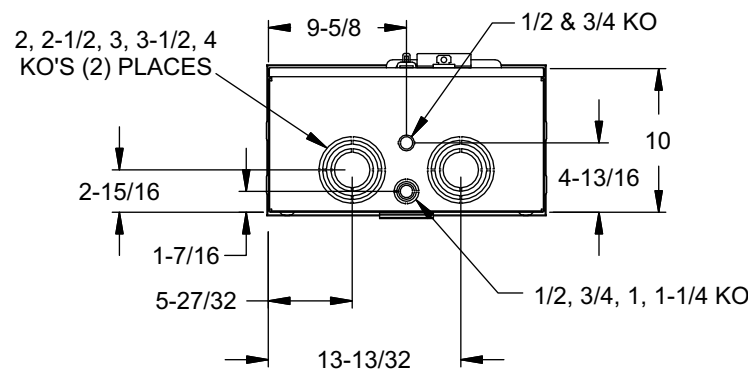
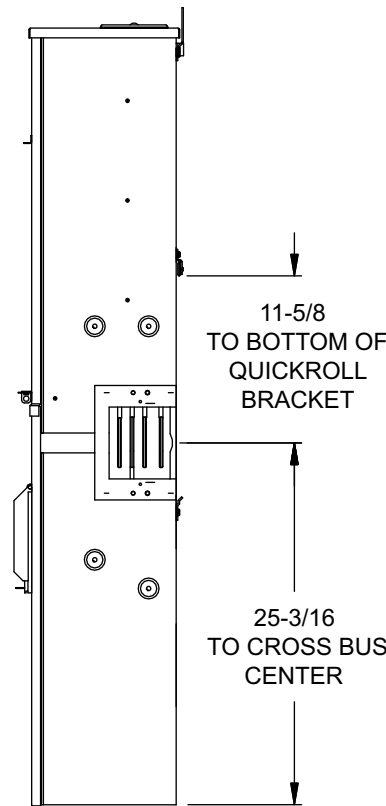
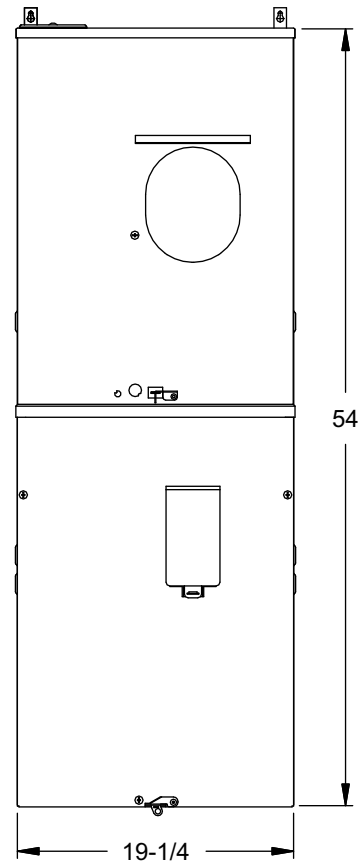
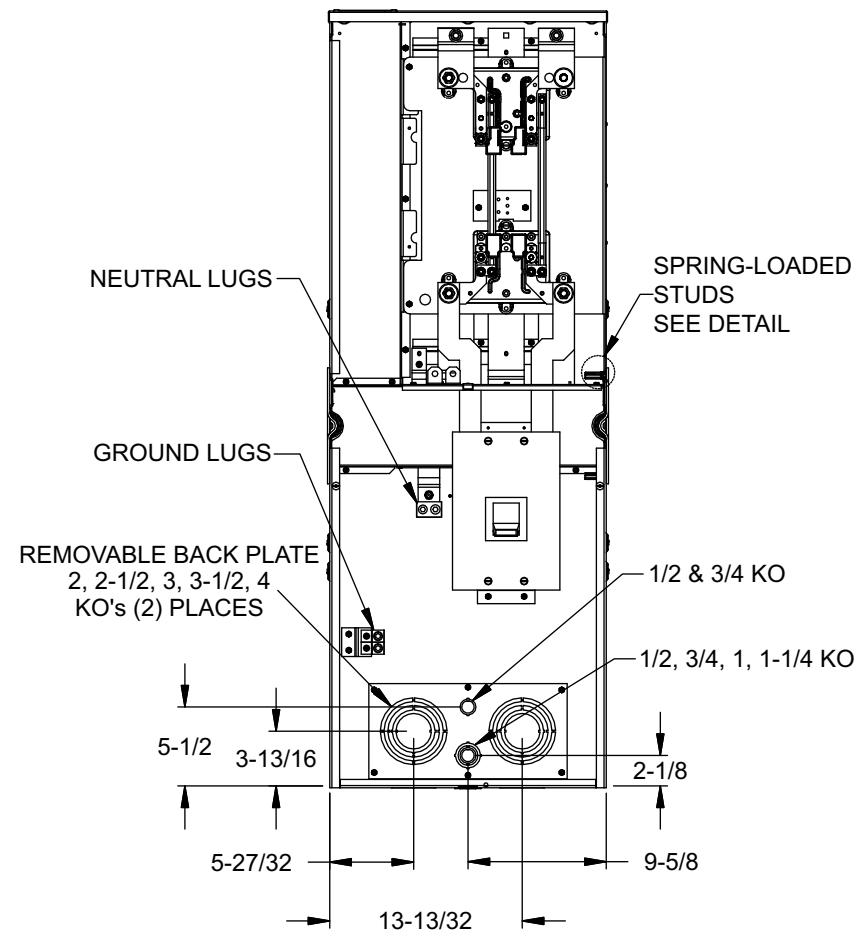
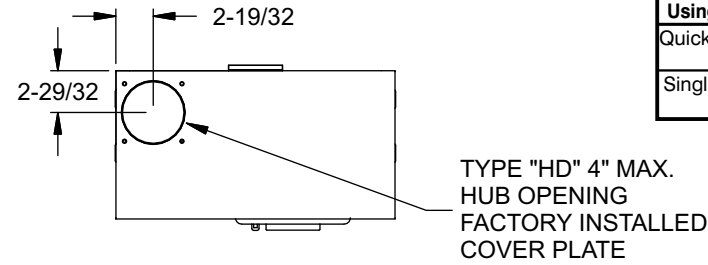
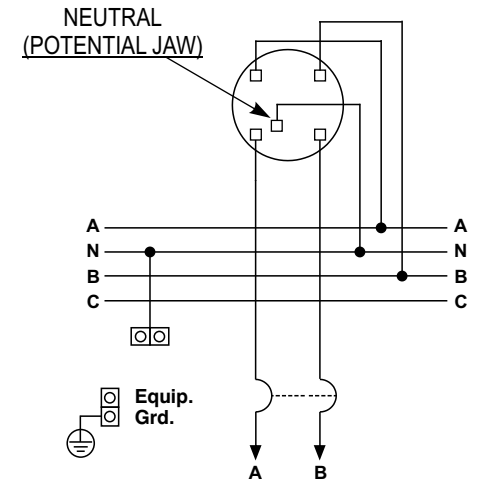
Additional Modules and Accessories

FOR USE WITH:		
Module Description	Siemens Series#	Murray Series#
Main Breakers	(W)MC, WB, WEB	DB W
Switches	WMP, WMS, WS, WES	DPT W, DT W
Tap/Terminal Boxes	WMTB, WTB, WET	DTB_W
Meter Module	WMM, WxMM, WMT, WML, WMK	DG_W, DC_W, DL_W
Extension Box	WMEX, WSP	DS
Bussed Elbow	(W)BE	DL

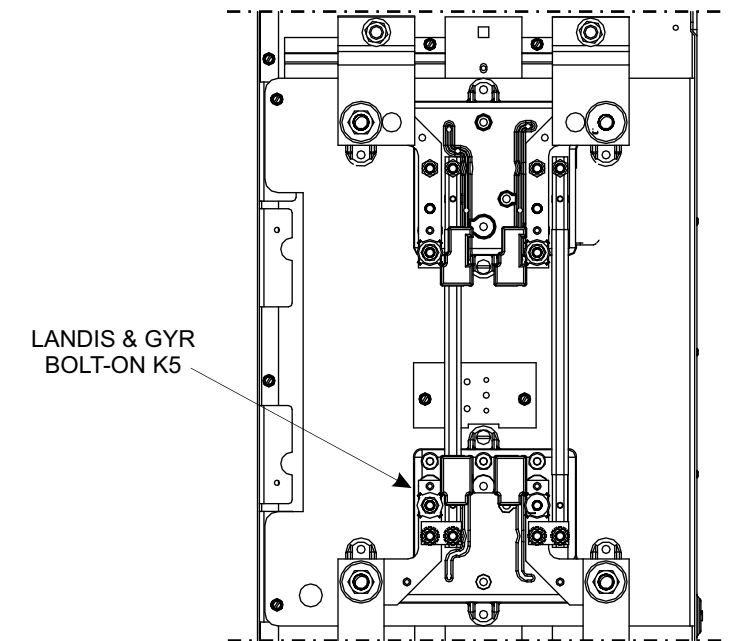
Siemens Accessory	Catalog No.
Hub Cover Plate	EC56933S
Type HD Hub 2"	EC56854
Type HD Hub 2-1/2"	EC56855
Type HD Hub 3"	EC56856
Type HD Hub 3-1/2"	EC56857
Type HD Hub 4"	EC56858

Connect Modules Using:	Catalog Number / Torque
QuickConnect	QC1 (1ph) or QC4 (3ph) 400-440 lb-in (35-36 ft.-lb.) Torque
Single Bolt Joint	SBJ1 (1ph) or SBJ4 (3ph) 400-480 lb-in (35-40 ft.-lb.) Torque

Schematic



Enlarged Socket Detail



© 2010 Copyright Siemens Industry, Inc.

Siemens Industry, Inc.
Building Technologies Division

PowerMod™ Modular Metering

Description: **K-Base 1 Position 400A Tenant 3in-1out Commercial Metering Module**

Size B	11	Dwg. No.	WMK12400RJ	
Dwn	KAM	Date	3/31/10	DO NOT SCALE DRAWING SHEET 1 OF 1