

Catalog Numbers

| Catalog No. | Amperage Rating Max | Max Interrupting Rating | Catalog No. | Amperage Rating Max | Max Interrupting Rating |
|---|---------------------|-------------------------|-------------------------------------|---------------------|-------------------------|
| 1 PHASE, 3 WIRE, 120/240V AC MAX | | | 3 PHASE, 4 WIRE, 240V AC MAX | | |
| WEB1600B | 600 | 65,000 | WEB3600B | 600 | 65,000 |
| WEB1600BU | 600 | 100,000 | WEB3600BU | 600 | 100,000 |

- TYPE 3R OUTDOOR ENCLOSURE
- MAIN BUS RATING: 1200A MAX.
- FOR UNDERGROUND SERVICE ONLY
- COMPLIES WITH EUSERC DWG. NO. 347

Additional Modules, Accessories, and Lug Kits

| FOR USE WITH: | | |
|--------------------|--------------------------|------------------|
| Module Description | Siemens Series# | Murray Series# |
| Main Breakers | (W)MC, WB, WEB | DB W |
| Switches | WMP, WMS, WS, WES | DPT W, DT W |
| Tap/Terminal Boxes | WMTB, WTB, WET | DTB W |
| Meter Module | WMM, WxMM, WMT, WML, WMK | DG_W, DC_W, DL_W |
| Extension Box | WMEX, WSP | DS |
| Bussed Elbow | (W)BE | DL |

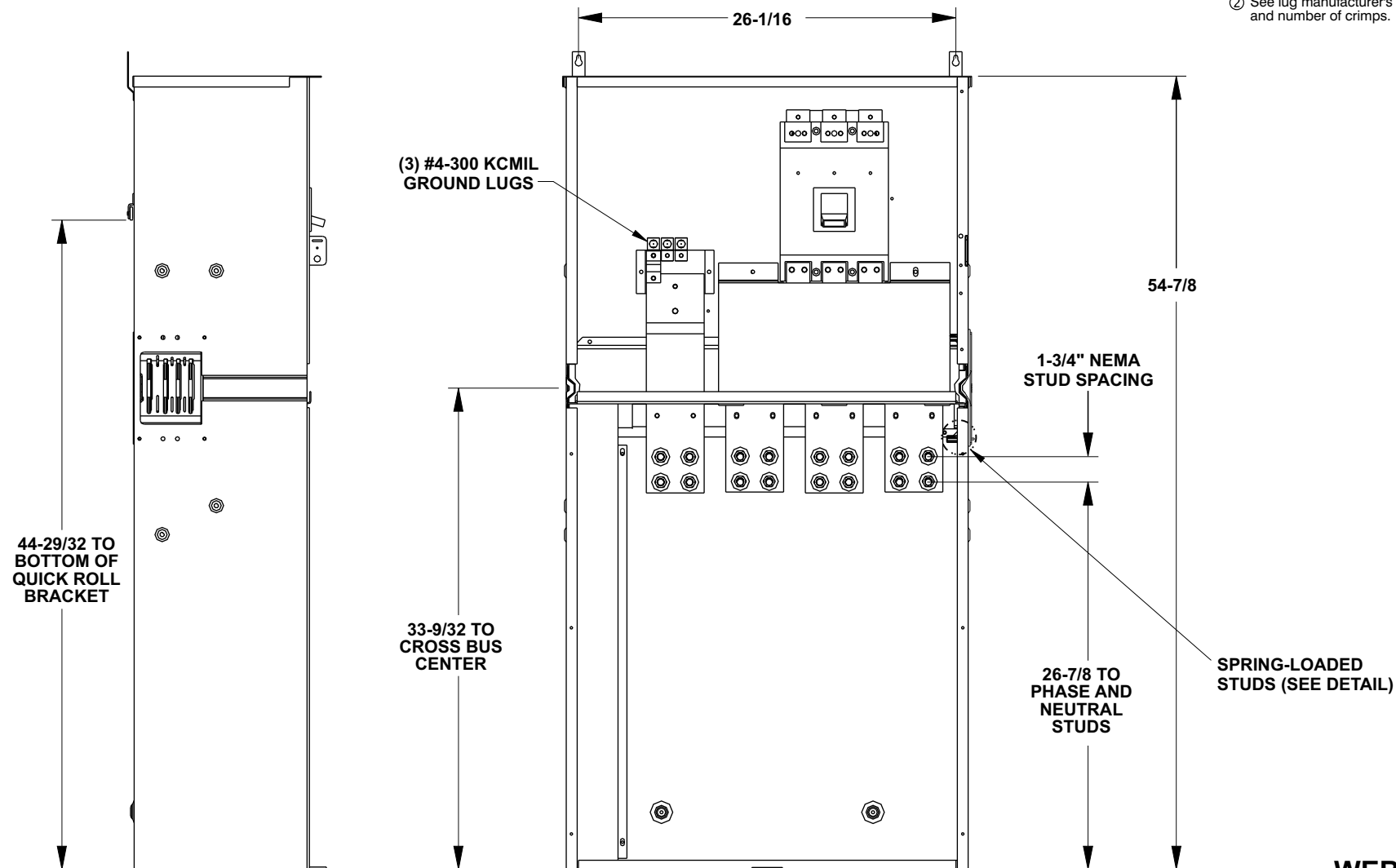
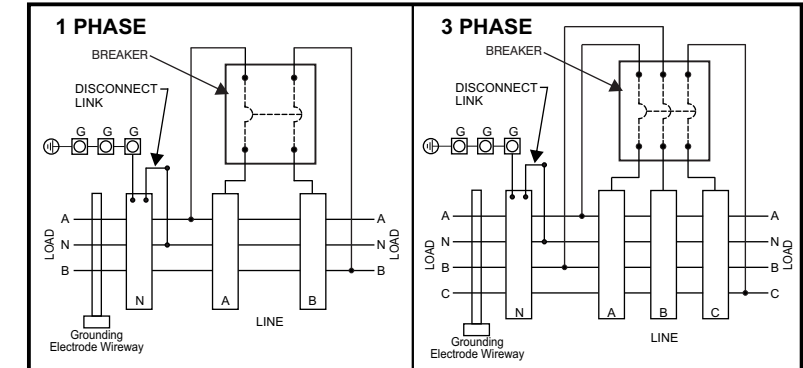
| Connect Modules Using | Catalog Number / Torque |
|-----------------------|--|
| QuickConnect | QC1 (1ph) or QC4 (3ph) 400-440 lb-in (35-36 ft.-lb.) Torque |
| Single Bolt Joint | SBJ1 (1ph) or SBJ4 (3ph) 400-480 lb-in (35-40 ft.-lb.) Torque |

| 1 Phase: Lugs for Phase and Neutral Connections (not supplied) | | | | | | |
|--|---------|---------------|-------------|---------------------|------------------|--|
| NEMA Lug ^① | MFG | Wire Range | Type | No. Wires per phase | Torque (lb.-in.) | |
| LK12750N2 | Siemens | 300-750 kcmil | Mechanical | 2 | 500 | |
| LK12500N2E | Siemens | #2-500 kcmil | Mechanical | 2 | 375 | |
| 2ACL-500 | ILSCO | 500 kcmil | Compression | 2 | NA ^② | |
| 2ACL-750 | ILSCO | 750 kcmil | Compression | 2 | NA ^② | |

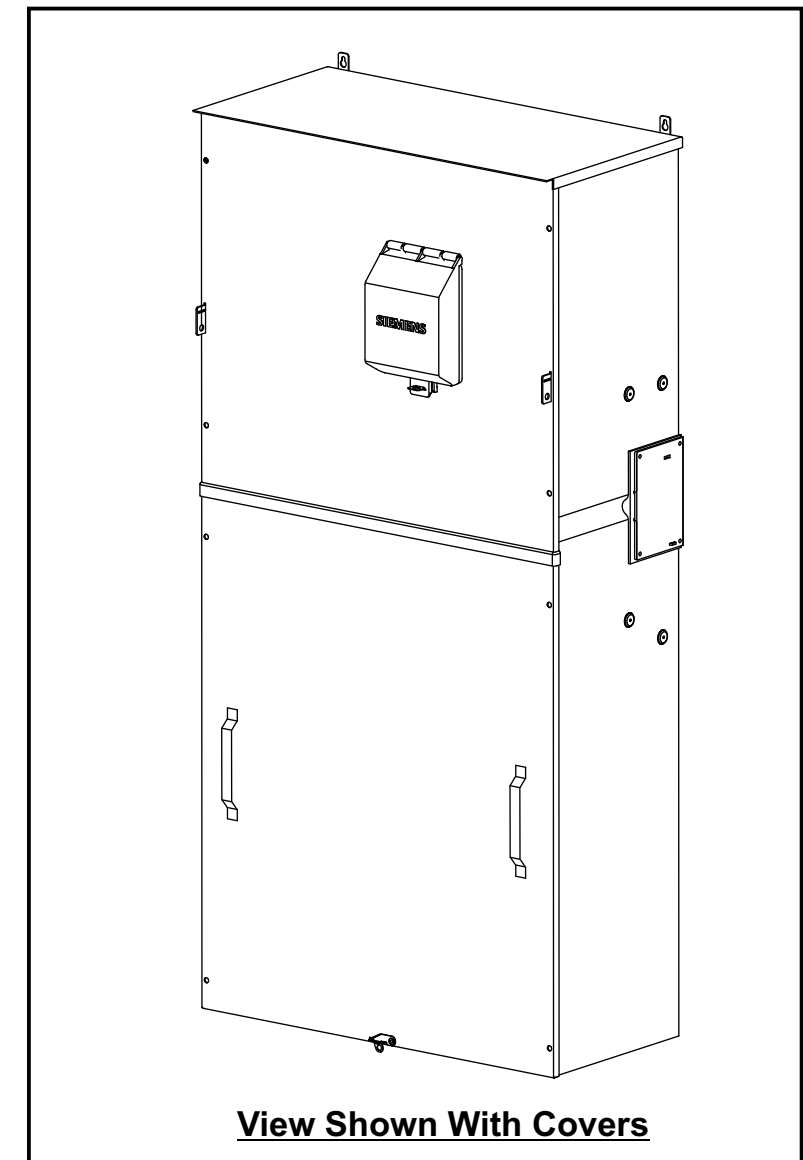
| 3 Phase: Lugs for Phase and Neutral Connections (not supplied) | | | | | | |
|--|---------|---------------|-------------|---------------------|------------------|--|
| NEMA Lug ^① | MFG | Wire Range | Type | No. Wires per phase | Torque (lb.-in.) | |
| LK32750N2 | Siemens | 300-750 kcmil | Mechanical | 2 | 500 | |
| LK32500N2E | Siemens | #2-500 kcmil | Mechanical | 2 | 375 | |
| 2ACL-500 | ILSCO | 500 kcmil | Compression | 2 | NA ^② | |
| 2ACL-750 | ILSCO | 750 kcmil | Compression | 2 | NA ^② | |

- ① Order one mechanical lug kit for main breaker and neutral conversions. Contact lug manufacturer for compression lug quantities supplied for each kit.
② See lug manufacturer's instruction sheet supplied with the connector for tool, die, and number of crimps.

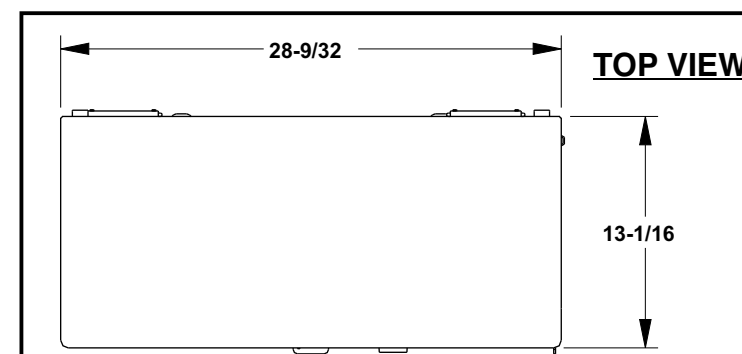
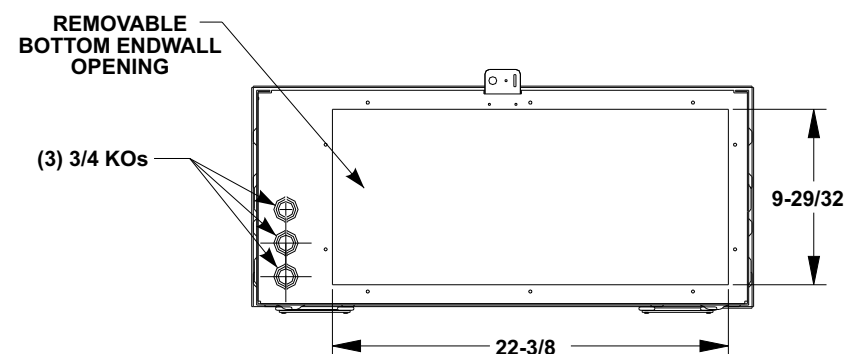
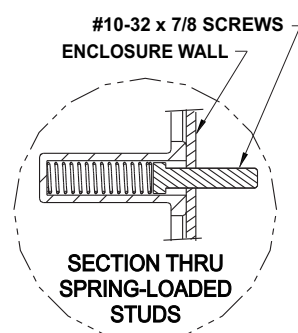
Schematics



WEB3600B (3 Phase) SHOWN
VIEWS SHOWN WITHOUT COVER



View Shown With Covers



© 2010 Copyright Siemens Industry, Inc.

Siemens Industry, Inc.
Building Technologies Division

PowerMod™ Breaker Mains

Catalog Numbers: **WEB1600B thru WEB3600BU**
(EUSERC) Service Entrance Breaker Mains

Size **B** Dwg. No. **600A_E_SE_Brkr_Mains**

Dwn **KAM** Date **1/27/10** DO NOT SCALE DRAWING SHEET **1 OF 1**