

Catalog Numbers

Catalog No.	Amperage Rating Max	Max Interrupting Rating	Catalog No.	Amperage Rating Max	Max Interrupting Rating
1 PHASE, 3 WIRE, 120/240V AC MAX			3 PHASE, 4 WIRE, 240V AC MAX		
WEB1500B	500	65,000	WEB3500B	500	65,000
WEB1500BU	500	100,000	WEB3500BU	500	100,000

- TYPE 3R OUTDOOR ENCLOSURE
- MAIN BUS RATING: 1200A MAX.
- FOR UNDERGROUND SERVICE ONLY
- COMPLIES WITH EUSERC DWG. NO. 347

Additional Modules, Accessories, and Lug Kits

FOR USE WITH:		
Module Description	Siemens Series#	Murray Series#
Main Breakers	(W)MC, WB, WEB	DB W
Switches	WMP, WMS, WS, WES	DPT W, DT W
Tap/Terminal Boxes	WMTB, WTB, WET	DTB W
Meter Module	WMM, WxMM, WMT, WML, WMK	DG_W, DC_W, DL_W
Extension Box	WMEX, WSP	DS
Bussed Elbow	(W)BE	DL

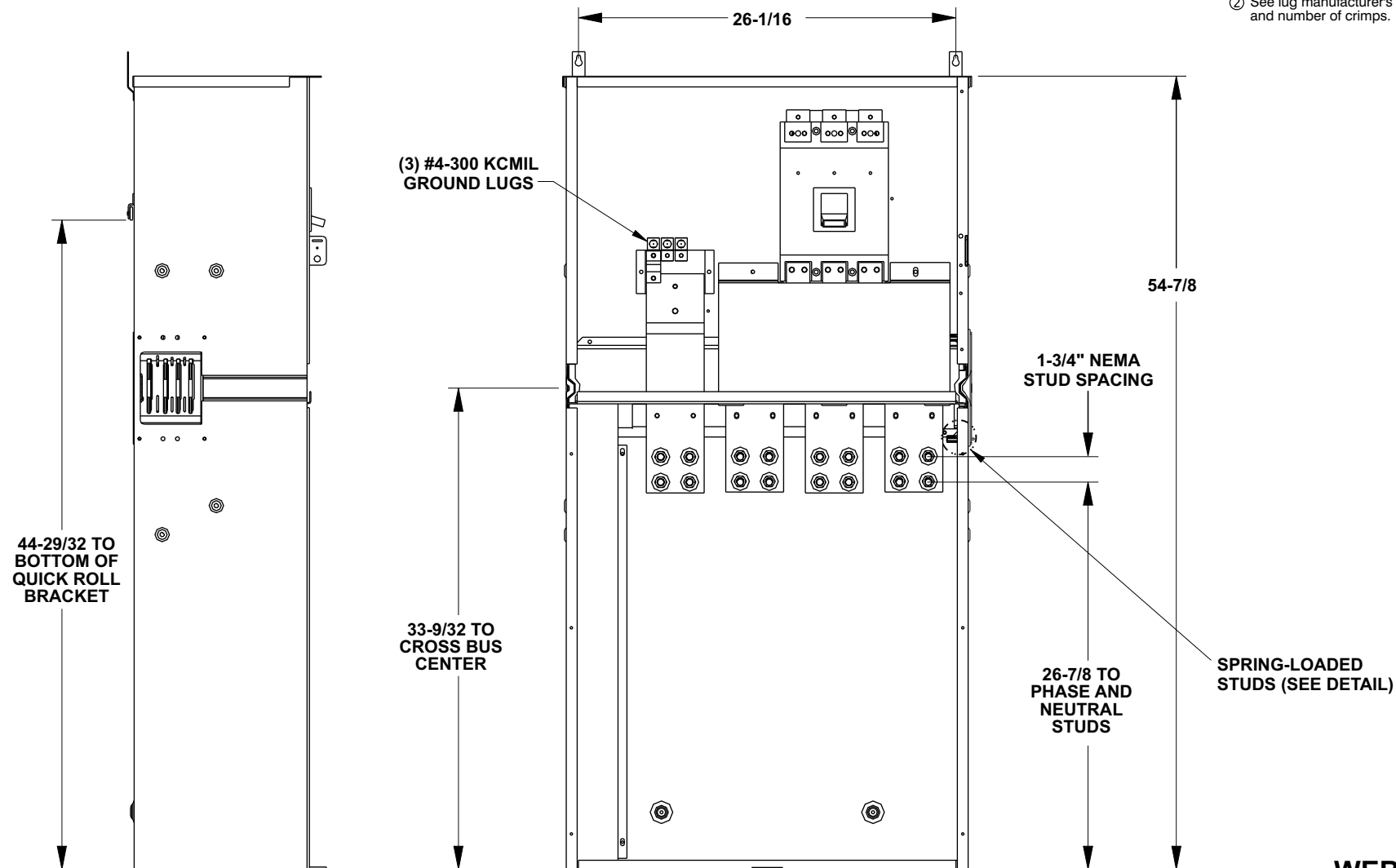
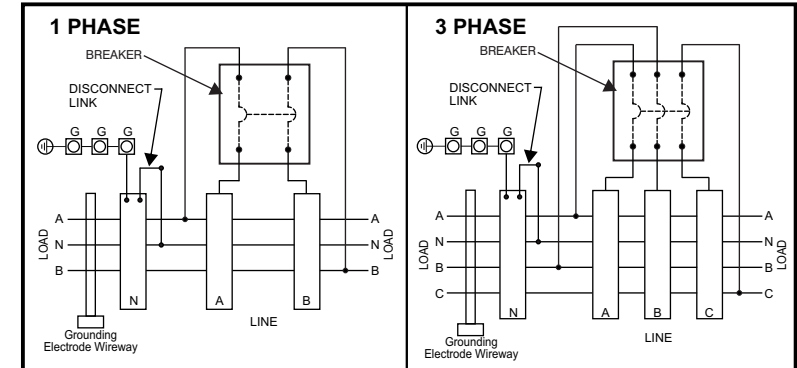
Connect Modules Using	Catalog Number / Torque
QuickConnect	QC1 (1ph) or QC4 (3ph) 400-440 lb-in (35-36 ft.-lb.) Torque
Single Bolt Joint	SBJ1 (1ph) or SBJ4 (3ph) 400-480 lb-in (35-40 ft.-lb.) Torque

1 Phase: Lugs for Phase and Neutral Connections (not supplied)						
NEMA Lug ^①	MFG	Wire Range	Type	No. Wires per phase	Torque (lb.-in.)	
LK12750N2	Siemens	300-750 kcmil	Mechanical	2	500	
LK12500N2E	Siemens	#2-500 kcmil	Mechanical	2	375	
2ACL-500	ILSCO	500 kcmil	Compression	2	NA ^②	
2ACL-750	ILSCO	750 kcmil	Compression	2	NA ^②	

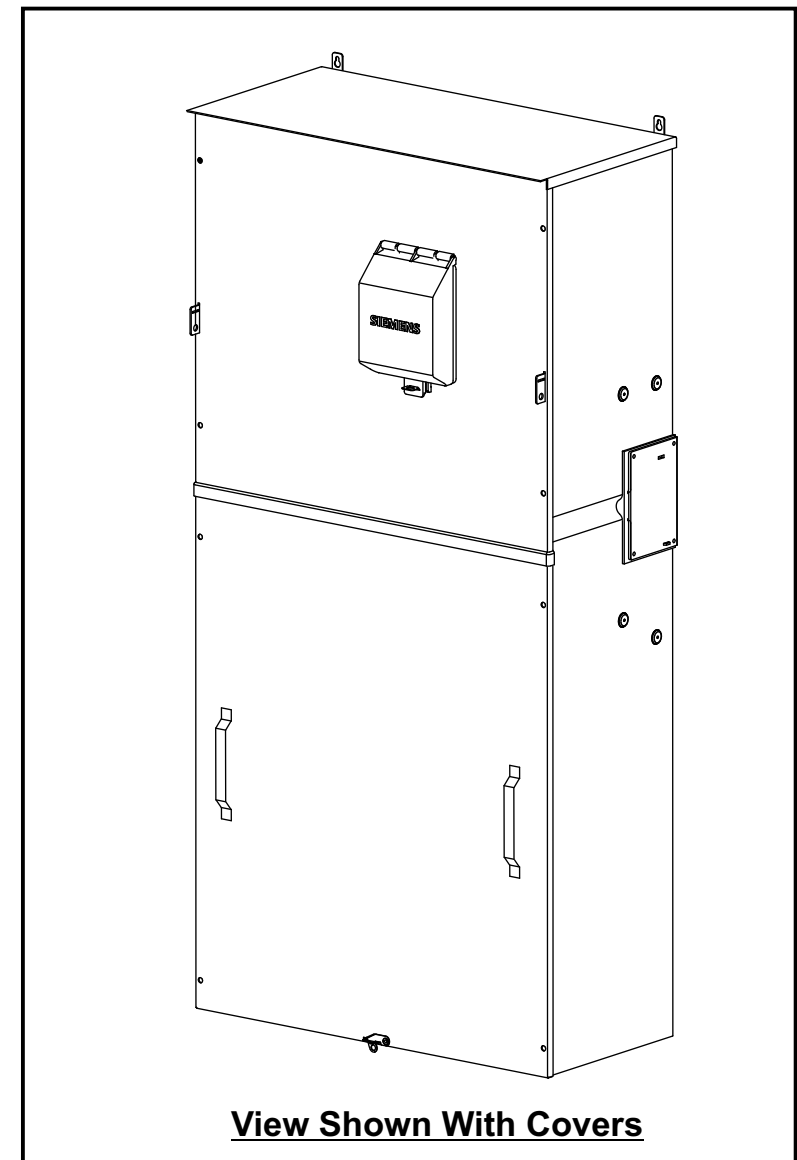
3 Phase: Lugs for Phase and Neutral Connections (not supplied)						
NEMA Lug ^①	MFG	Wire Range	Type	No. Wires per phase	Torque (lb.-in.)	
LK32750N2	Siemens	300-750 kcmil	Mechanical	2	500	
LK32500N2E	Siemens	#2-500 kcmil	Mechanical	2	375	
2ACL-500	ILSCO	500 kcmil	Compression	2	NA ^②	
2ACL-750	ILSCO	750 kcmil	Compression	2	NA ^②	

- ① Order one mechanical lug kit for main breaker and neutral conversions. Contact lug manufacturer for compression lug quantities supplied for each kit.
- ② See lug manufacturer's instruction sheet supplied with the connector for tool, die, and number of crimps.

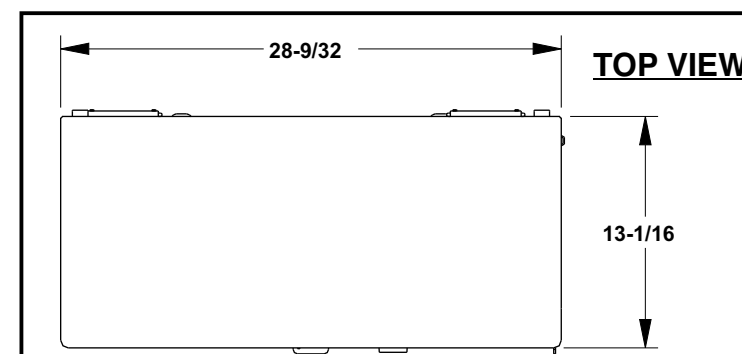
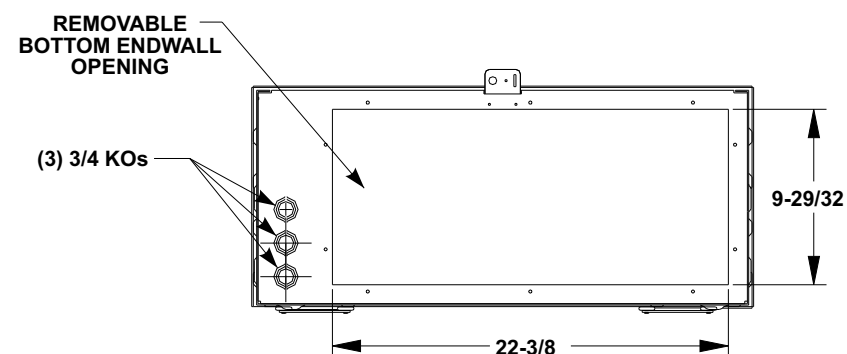
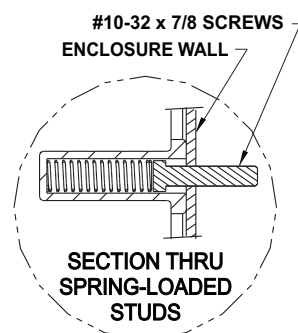
Schematics



WEB3500B (3 Phase) SHOWN
VIEWS SHOWN WITHOUT COVER



View Shown With Covers



© 2010 Copyright Siemens Industry, Inc.

Siemens Industry, Inc.
Building Technologies Division

PowerMod™ Breaker Mains

Catalog Numbers: **WEB1500B thru WEB3500BU**
(EUSERC) Service Entrance Breaker Mains

Size B Dwg. No. **500A_E_SE_Brkr_Mains**

Dwn KAM Date 1/27/10 DO NOT SCALE DRAWING SHEET 1 OF 1