

## Catalog Numbers

Catalog No.	Amperage Rating Max	Max Interrupting Rating	Catalog No.	Amperage Rating Max	Max Interrupting Rating
<b>1 PHASE, 3 WIRE, 120/240V AC MAX</b>			<b>3 PHASE, 4 WIRE, 240V AC MAX</b>		
WEB1400B	400	65,000	WEB3400B	400	65,000
WEB1400BU	400	100,000	WEB3400BU	400	100,000

- TYPE 3R OUTDOOR ENCLOSURE
- MAIN BUS RATING: 1200A MAX.
- FOR UNDERGROUND SERVICE ONLY
- COMPLIES WITH EUSERC DWG. NO. 347

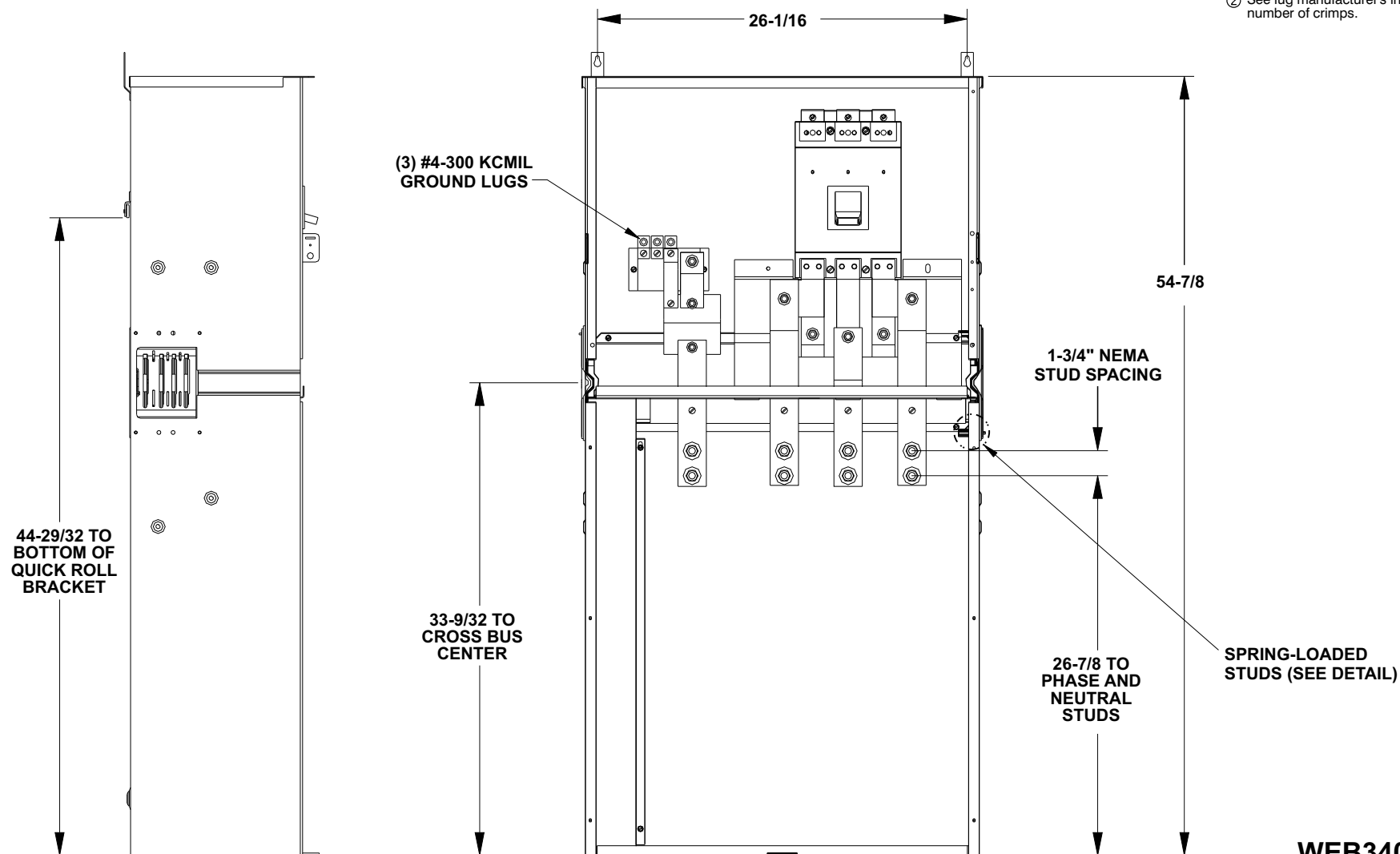
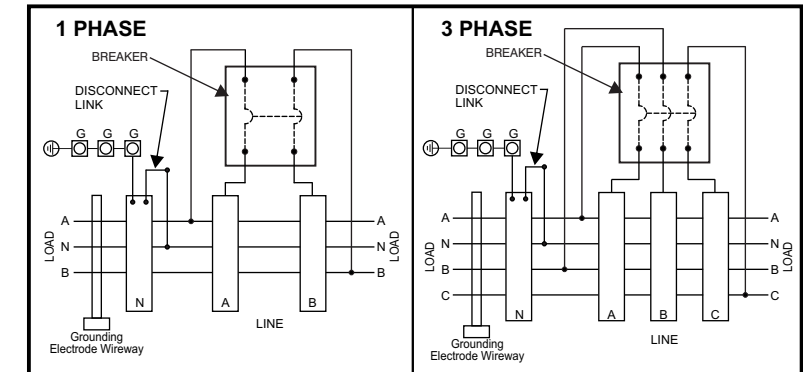
## Additional Modules, Accessories, and Lug Kits

FOR USE WITH:		
Module Description	Siemens Series#	Murray Series#
Main Breakers	(W)MC, WB, WEB	DB W
Switches	WMP, WMS, WS, WES	DPT W, DT W
Tap/Terminal Boxes	WMTB, WTB, WET	DTB W
Meter Module	WMM, WxMM, WMT, WML, WMK	DG W, DC W, DL W
Extension Box	WMEX, WSP	DS
Bussed Elbow	(W)BE	DL
Connect Modules Using	Catalog Number / Torque	
QuickConnect	QC1 (1ph) or QC4 (3ph) 400-440 lb-in (35-36 ft.-lb.) Torque	
Single Bolt Joint	SBJ1 (1ph) or SBJ4 (3ph) 400-480 lb-in (35-40 ft.-lb.) Torque	

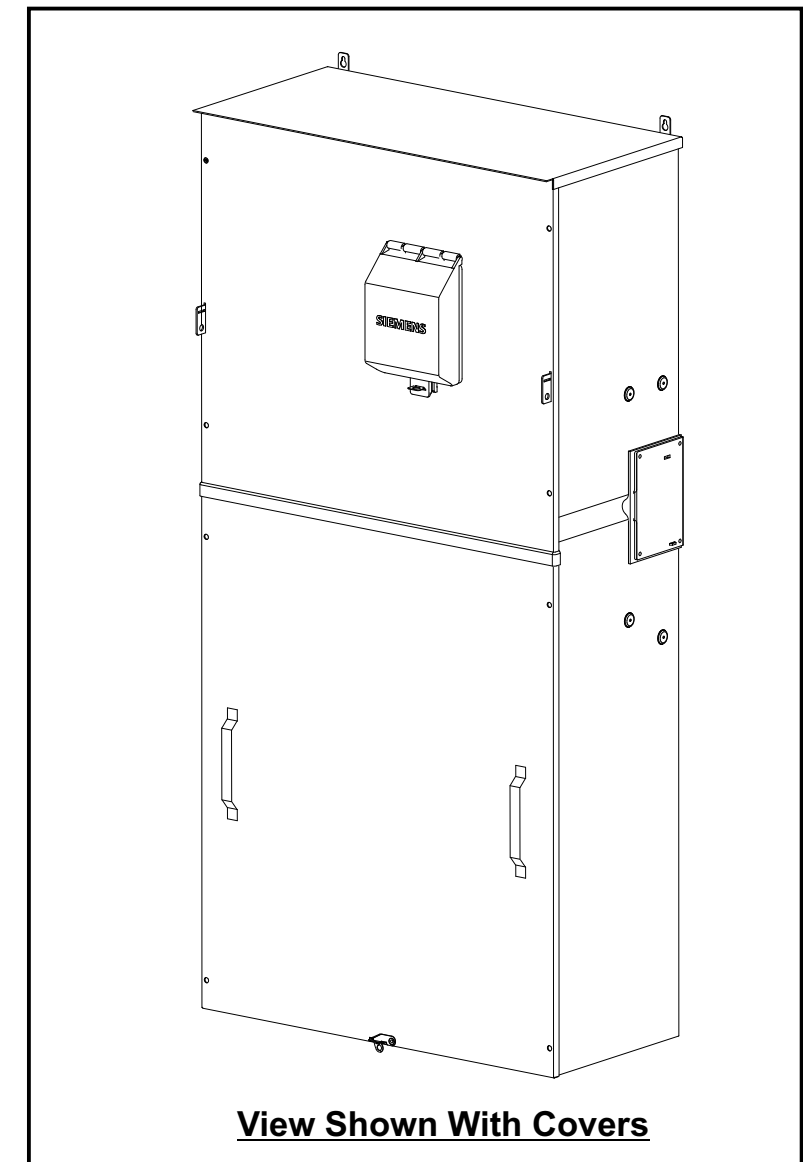
1 Phase: Lugs for Phase and Neutral Connections (not supplied)						
NEMA Lug ①	MFG	Wire Range	Type	No. Wires per phase	Torque (lb.-in.)	
LK11750N2	Siemens	300-750 kcmil	Mechanical	1	500	
LK12500N2	Siemens	1/0-500 kcmil	Mechanical	2	500	
2ACL-500	ILSCO	500 kcmil	Compression	2	NA ②	
2ACL-750	ILSCO	750 kcmil	Compression	1	NA ②	
3 Phase: Lugs for Phase and Neutral Connections (not supplied)						
NEMA Lug ①	MFG	Wire Range	Type	No. Wires per phase	Torque (lb.-in.)	
LK31750N2	Siemens	300-750 kcmil	Mechanical	1	500	
LK32500N2	Siemens	1/0-500 kcmil	Mechanical	2	500	
2ACL-500	ILSCO	500 kcmil	Compression	2	NA ②	
2ACL-750	ILSCO	750 kcmil	Compression	1	NA ②	

- ① Order one mechanical lug kit for main breaker and neutral conversions. Contact lug manufacturer for compression lug quantities supplied for each kit.
- ② See lug manufacturer's instruction sheet supplied with the connector for tool, die, and number of crimps.

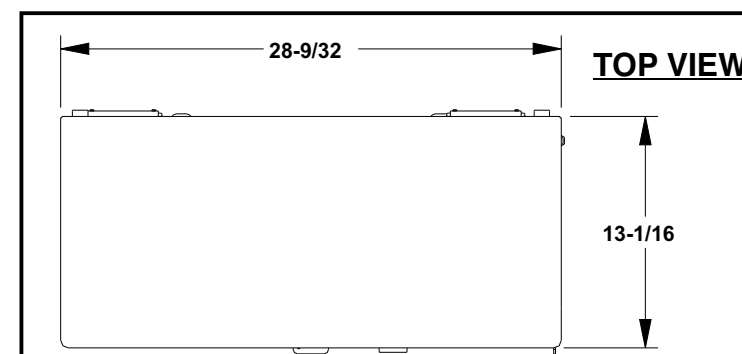
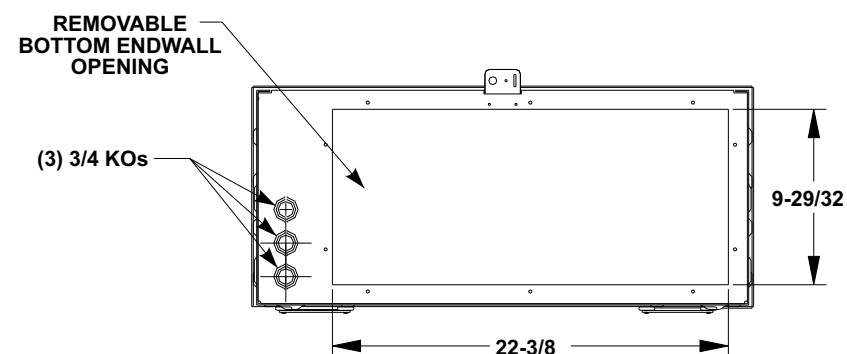
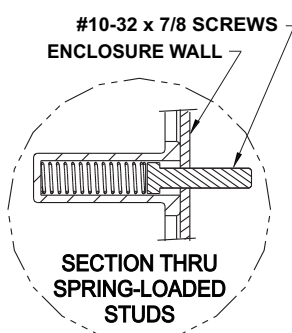
## Schematics



**WEB3400B (3 Phase) SHOWN**  
VIEWS SHOWN WITHOUT COVER



**View Shown With Covers**



© 2010 Copyright Siemens Industry, Inc.

Siemens Industry, Inc.  
Building Technologies Division

### PowerMod™ Breaker Mains

Catalog Numbers: **WEB1400B thru WEB3400BU**  
**(EUSERC) Service Entrance Breaker Mains**

Size B Dwg. No. **400A\_E\_SE\_Brkr\_Mains**

Dwn KAM Date 1/27/10 DO NOT SCALE DRAWING SHEET 1 OF 1