

Catalog Numbers, Features and Ratings

| Catalog Number | Max. Bus Rating | Max. Meter Socket Rating | AIC Rating Max. | Max. Branch Rating | Meter Positions | Meter Socket Cover | 5th Jaw Installed | Horn Bypass Installed |
|----------------|-----------------|--------------------------|-----------------|--------------------|-----------------|--------------------|-------------------|-----------------------|
| WP5411 | 500A | 125A Cont. | 65,000 | 125A | 4 | Ring Type | No | N/A |
| WP5411RJ | 500A | 125A Cont. | 65,000 | 125A | 4 | Ringless | Yes | No |
| WP5411RJB | 500A | 125A Cont. | 65,000 | 125A | 4 | Ringless | Yes | Yes |

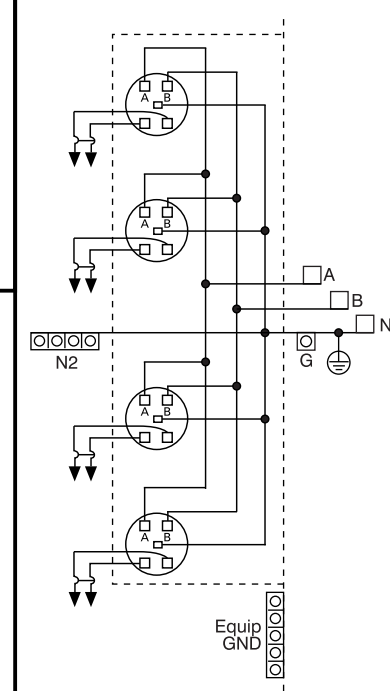
- 120/240 V~, 1 PHASE, 3 WIRE
208Y/120 V~, 1 PHASE, 3 WIRE (5TH JAW MAY BE REQUIRED)
- SUITABLE ONLY FOR USE AS SERVICE EQUIPMENT.
- TYPE N3R OUTDOOR ENCLOSURE
MATERIAL/FINISH: ANSI 61 GRAY BAKED POWDER COAT PAINT OVER G-90 GALVANIZED, PHOSPHATIZED STEEL

Terminal Wire Sizes and Torques

(refer to schematic)

| Terminal | Wire Size | Torque |
|-----------------------|----------------------|-----------|
| A, B, N1 | (2) 600 kcmil-#2 AWG | 375 LB-IN |
| G | 300 kcmil - #4 AWG | 275 LB-IN |
| N2/Equip GND | #2/0 - 4 AWG | 110 LB-IN |
| Alt. Lug Kit WPLK2600 | (3) 300 kcmil-#4 AWG | 275 LB-IN |

Schematic



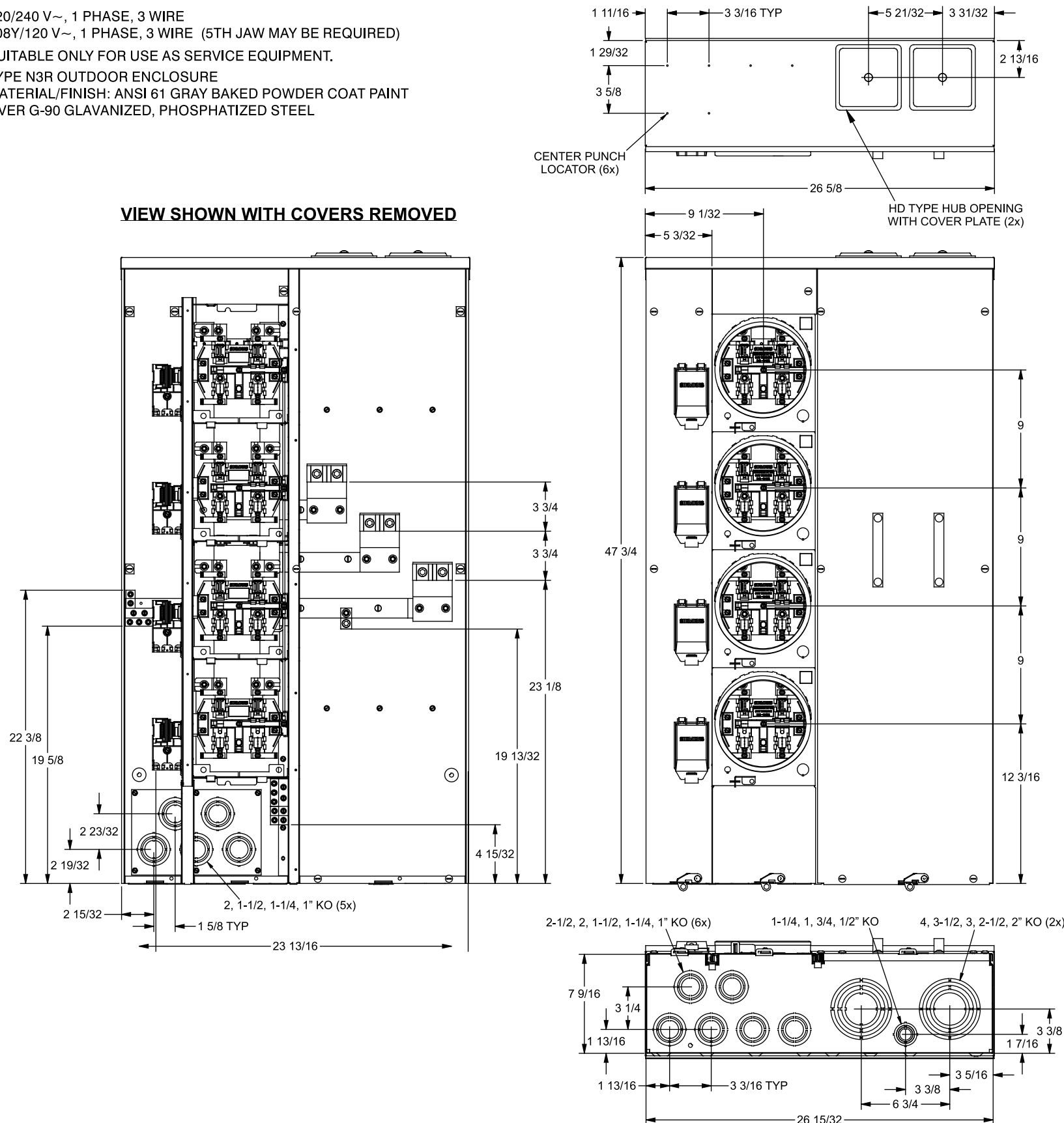
Accessories and Replacement Parts

| Description | Catalog No. |
|------------------------------|-------------|
| Horn By-Pass | ECMFH |
| 5th Jaw | ECMF5 |
| 5th Jaw, Insulated | ECMF5i |
| Meter Cover Plate, Ringless | ECCP3 |
| Meter Cover Plate, Ring Type | ECPP |
| Meter Socket | ECMFS |
| 125A Breaker Mounting | ECMFBM1 |
| 225A Breaker Mounting | ECMFBM2 |
| Meter Cover, Ring Type | ECMFMC |
| Meter Cover, Ringless | ECMFMCr |
| Load Cover Screws | ECMFCS |
| Bottom Pull Cover | ECMFC |
| Quick Phase Strap | ECMFPS |
| Breaker Cover Repl. | ECBC |
| Ringless Conversion Kit | ECMMLCK |
| QP Breaker Retainer | ECMBR2 |

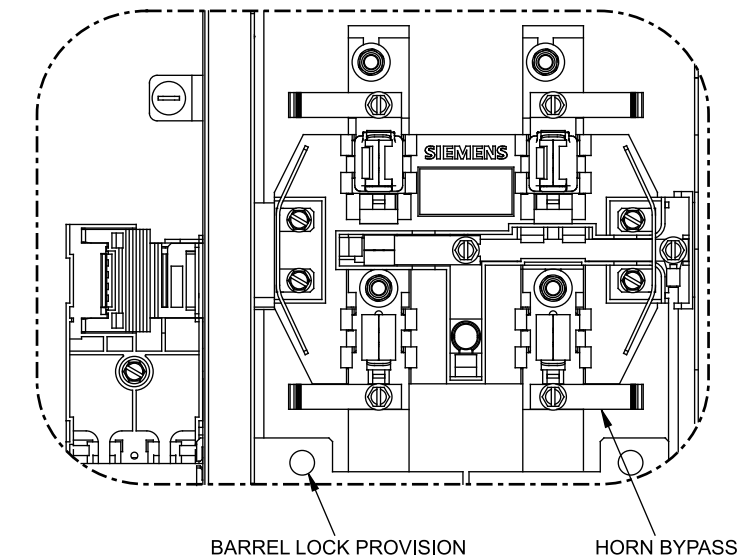
| Use HD Type Hubs if required | |
|------------------------------|-------------|
| Trade Size (in) | Catalog No. |
| 2" | EC56854 |
| 2-1/2" | EC56855 |
| 3" | EC56856 |
| 3-1/2" | EC56857 |
| 4" | EC56858 |
| Closure Plate | EC56933S |

Hubs

VIEW SHOWN WITH COVERS REMOVED



Enlarged Socket Detail



Cat. No. WP5411RJB SHOWN

SIEMENS
Siemens Industry, Inc.

Uni-PAK Metering

Description: **WP Series**
500A Bus, 4 Position, 125A Meter

KAM 10/21/11 DO NOT SCALE DRAWING Dwg No: **WP5411x**