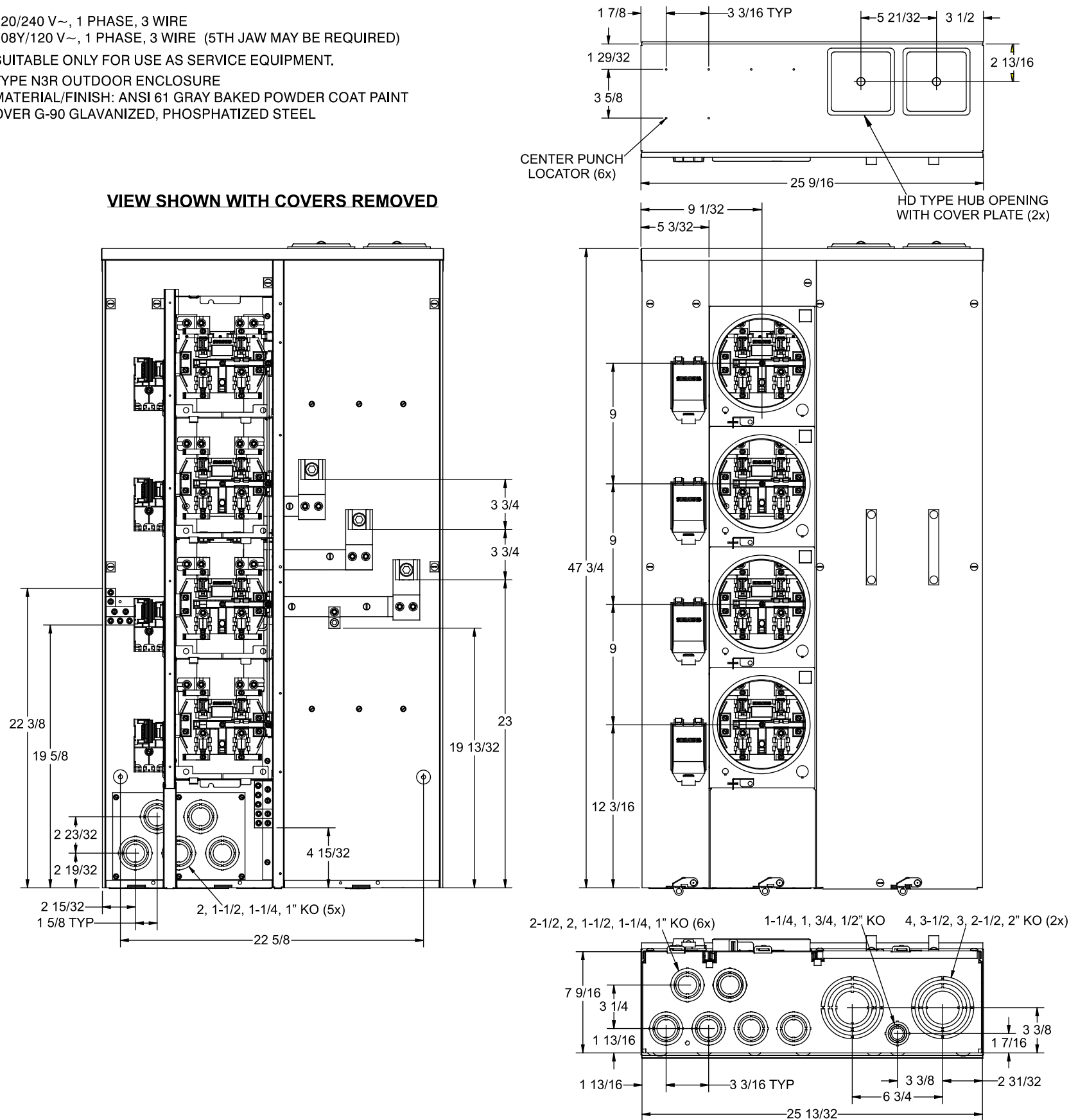


# Catalog Numbers, Features and Ratings

Catalog Number	Max. Bus Rating	Max. Meter Socket Rating	AIC Rating Max.	Max. Branch Rating	Meter Positions	Meter Socket Cover	5th Jaw Installed	Horn Bypass Installed
WP4411	400A	125A Cont.	65,000	125A	4	Ring Type	No	N/A
WP4411RJ	400A	125A Cont.	65,000	125A	4	Ringless	Yes	No
WP4411RJB	400A	125A Cont.	65,000	125A	4	Ringless	Yes	Yes

- 120/240 V~, 1 PHASE, 3 WIRE  
208Y/120 V~, 1 PHASE, 3 WIRE (5TH JAW MAY BE REQUIRED)
- SUITABLE ONLY FOR USE AS SERVICE EQUIPMENT.
- TYPE N3R OUTDOOR ENCLOSURE  
MATERIAL/FINISH: ANSI 61 GRAY BAKED POWDER COAT PAINT OVER G-90 GALVANIZED, PHOSPHATIZED STEEL

## VIEW SHOWN WITH COVERS REMOVED

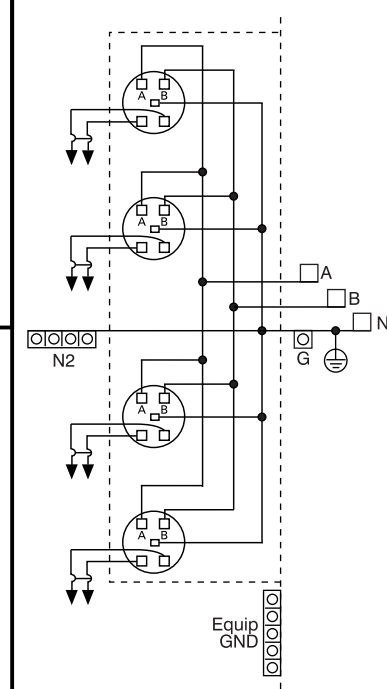


## Terminal Wire Sizes and Torques

(refer to schematic)

Terminal	Wire Size	Torque
A, B, N1	750 kcmil - 1/0 CU-AL (2) 250kcmil - 1/0 AL (2) 3/0 - 1/0 AWG CU	500 LB-IN
G	300 kcmil - #4 AWG	275 LB-IN
N2/Equip GND	#2/0 - 4 AWG	110 LB-IN
Alt. Lug Kit WPLK2400	(2) 300 kcmil-#4 AWG	275 LB-IN

## Schematic



## Accessories and Replacement Parts

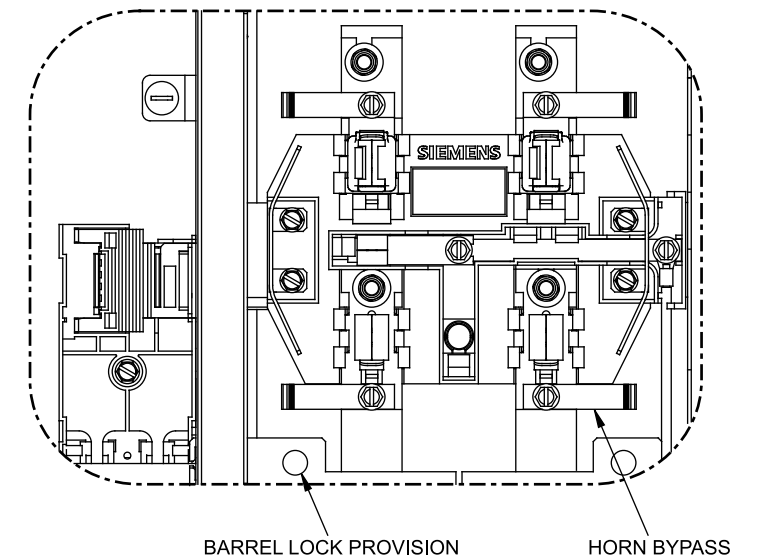
Description	Catalog No.
Horn By-Pass	ECMFH
5th Jaw	ECMF5
5th Jaw, Insulated	ECMF5i
Meter Cover Plate, Ringless	ECCP3
Meter Cover Plate, Ring Type	ECPP
Meter Socket	ECMFS
125A Breaker Mounting	ECMFBM1
225A Breaker Mounting	ECMFBM2
Meter Cover, Ring Type	ECMFMC
Meter Cover, Ringless	ECMFMCr
Load Cover Screws	ECMFCS
Bottom Pull Cover	ECMFC
Quick Phase Strap	ECMFPS
Breaker Cover Repl.	ECBC
Ringless Conversion Kit	ECMMLCK
QP Breaker Retainer	ECMBR2

Use HD Type Hubs if required

Trade Size (in)	Catalog No.
2"	EC56854
2-1/2"	EC56855
3"	EC56856
3-1/2"	EC56857
4"	EC56858
Closure Plate	EC56933S

**Hubs**

## Enlarged Socket Detail



Cat. No. WP4411RJB SHOWN

**SIEMENS**  
Siemens Industry, Inc.

**Uni-PAK Metering**

Description: **WP Series**  
**400A Bus, 4 Position, 125A Meter**

KAM 10/21/11 DO NOT SCALE DRAWING Dwg No. **WP4411x**