

Catalog Numbers, Features and Ratings

Catalog Number	Max. Bus Rating	Max. Meter Socket Rating	AIC Rating Max.	Max. Branch Rating	Meter Positions	Meter Socket Cover	5th Jaw Installed	Horn Bypass Installed
WP2211	200A	125A Cont.	65,000	125A	2	Ring Type	No	N/A
WP2211RJ	200A	125A Cont.	65,000	125A	2	Ringless	Yes	No
WP2211RJB	200A	125A Cont.	65,000	125A	2	Ringless	Yes	Yes

■ 120/240 V~, 1 PHASE, 3 WIRE
208Y/120 V~, 1 PHASE, 3 WIRE (5TH JAW MAY BE REQUIRED)

■ SUITABLE ONLY FOR USE AS SERVICE EQUIPMENT.

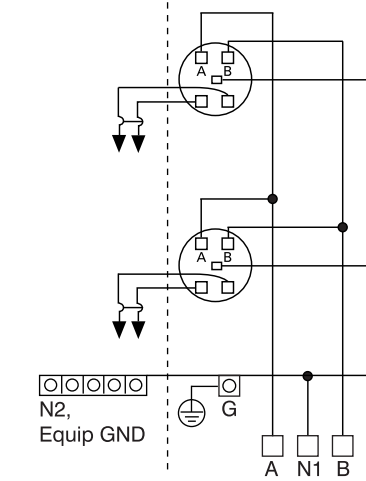
■ TYPE N3R OUTDOOR ENCLOSURE
MATERIAL/FINISH: ANSI 61 GRAY BAKED POWDER COAT PAINT
OVER G-90 GALVANIZED, PHOSPHATIZED STEEL

Terminal Wire Sizes and Torques

(refer to schematic)

Terminal	Wire Size	Torque
A, B, N1	300 kcmil - #4 AWG	275 LB-IN
G	#2 - 14 AWG	50 LB-IN
N2/Equip GND	#2/0 - 4 AWG	110 LB-IN

Schematic



Accessories and Replacement Parts

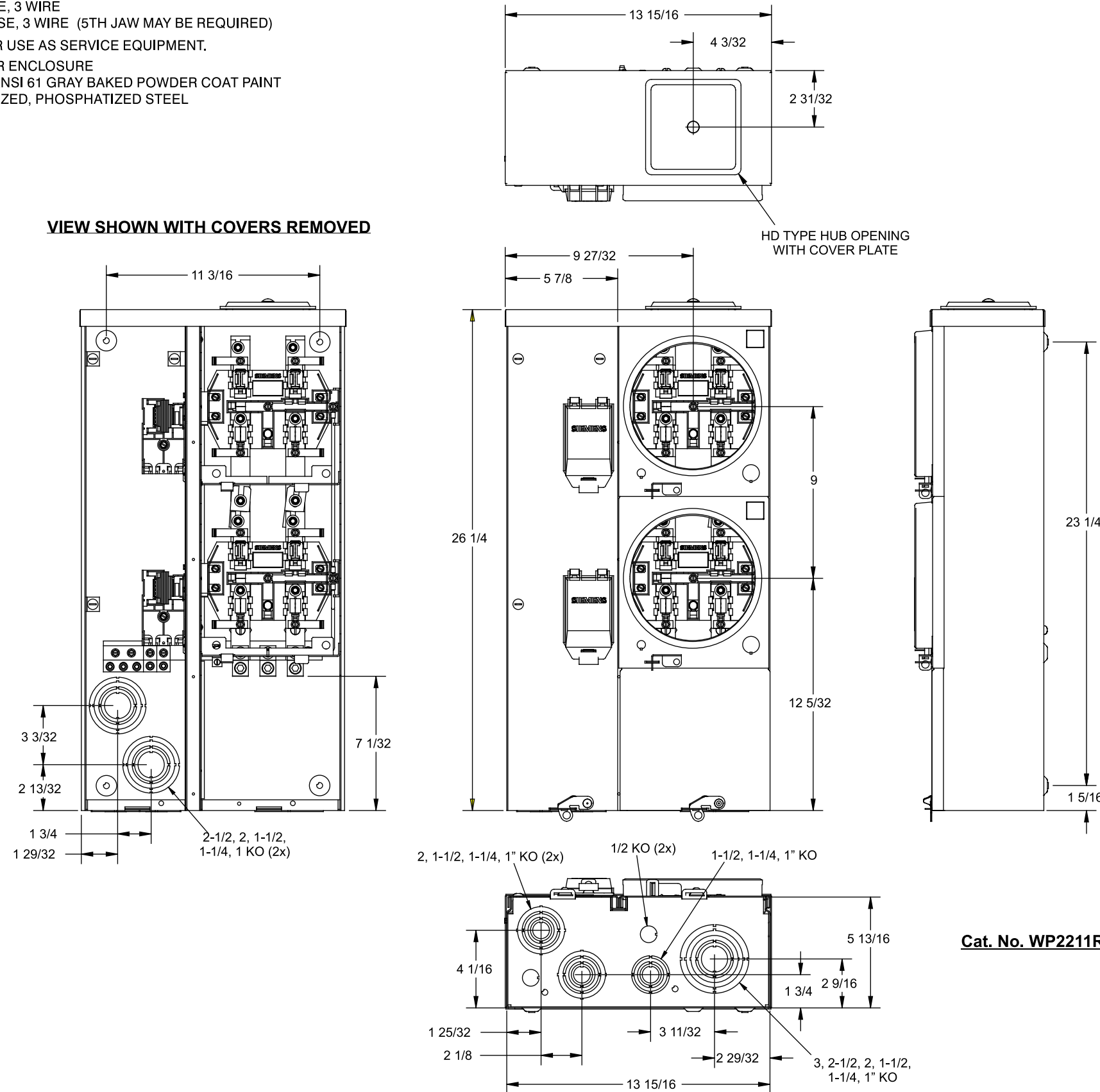
Description	Catalog No.
Horn By-Pass	ECMFH
5th Jaw	ECMF5
5th Jaw, Insulated	ECMF5i
Meter Cover Plate, Ringless	ECCP3
Meter Cover Plate, Ring Type	ECPP
Meter Socket	ECMFS
125A Breaker Mounting	ECMFBM1
225A Breaker Mounting	ECMFBM2
Meter Cover, Ring Type	ECMFMC
Meter Cover, Ringless	ECMFMCR
Load Cover Screws	ECMFCS
Bottom Pull Cover	ECMFC
Quick Phase Strap	ECMFPS
Breaker Cover Repl.	ECBC
Ground/Ntl Bar Kit	ECMFGN125
Ringless Conversion Kit	ECMMRLCK
QP Breaker Retainer	ECMBR2

Use HD Type Hubs if required

Trade Size (in)	Catalog No.
2"	EC56854
2-1/2"	EC56855
3"	EC56856
3-1/2"	EC56857
4"	EC56858
Closure Plate	EC56933S

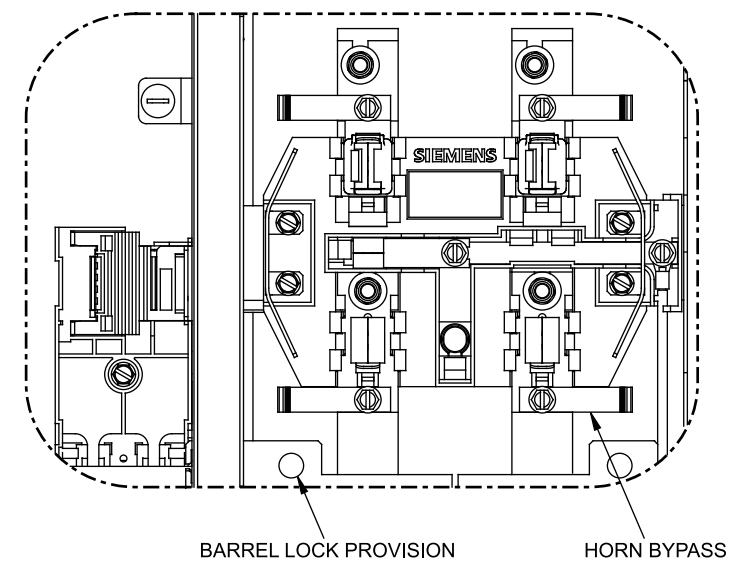
Hubs

VIEW SHOWN WITH COVERS REMOVED



HD TYPE HUB OPENING WITH COVER PLATE

Enlarged Socket Detail



Cat. No. WP2211RJB SHOWN

SIEMENS
Siemens Industry, Inc.

Uni-PAK Metering

Description: **WP Series**
200A Bus, 2 Position, 125A Meter